

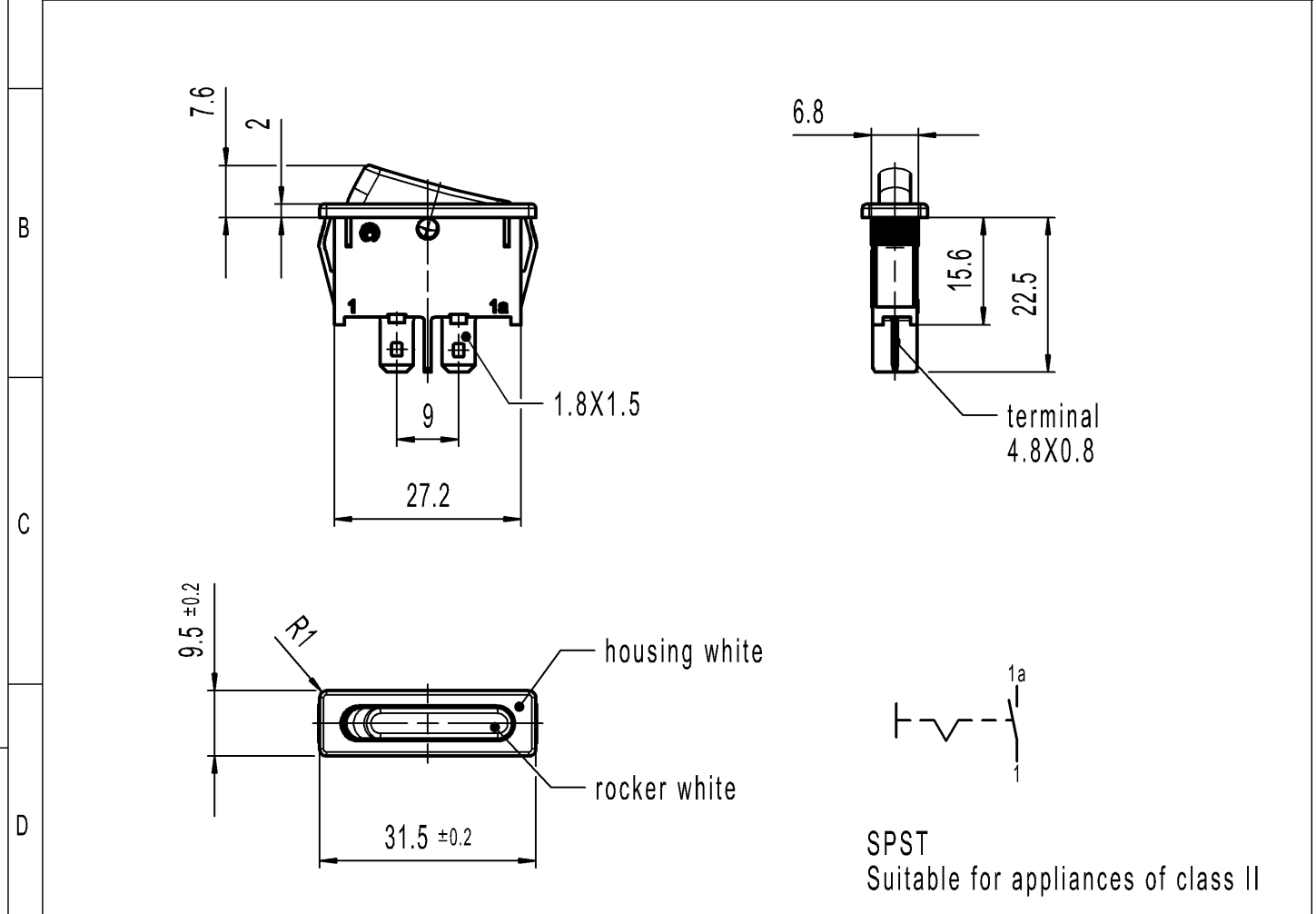
CONFIDENTIAL

VERTRAULICH

Alle Rechte bei Marquardt, auch fuer den Fall von Schutzrechtsanmeldungen. Jede Veruegungsbefugnis, wie Kopier- und Weitergaberecht, bei uns.

THIS DRAWING IS THE EXCLUSIVE PROPERTY OF MARQUARDT. WITHOUT THEIR CONSENT IT MAY NOT BE REPRODUCED OR GIVEN TO THIRD PARTIES.

A	recommended cut-out for snap-in fixing (edge opposite to snap-in direction)	1	2	3	4
		wall thickness	length of cut-out	width of cut-out	
		0.75 to 1.25	30-0.1	6.8+0.1	
		1.25 to 2	30.2 -0.1	6.8+0.1	
		2 to 3	30.6 -0.1	6.8+0.1	



SPST
Suitable for appliances of class II

Marking

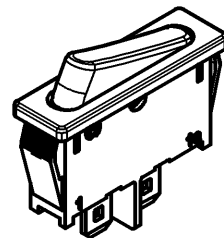
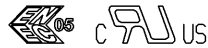


1921.

4(1)/250~5E4

6(2)/250~

T80/55



Code of manufacture: place/year/week

-	-	-	1921.1101-XX
Figure	Type	Customer Part No.	Art.No.-PI
Shape and location	Angle $\pm 2^\circ$	Sheet 01	
	Edge tolerance	Ident. K	Document number 19211101
	0-6	± 0.2	Index C
	>6-15	± 0.4	
	>15-30	± 0.4	
c	141238	2022-11-14	MOHITEN
b	102884	2016-06-22	HHE
a	43248	2005-05-12	hhe
	41347	2004-10-13	HHE
Index	MEC-No.	Date (YYYY-MM-DD)	Edited by
		All dimensions are in millimetres	
		Appliance Switch	
		System NX V1899	
		Replacement of	
		Zg.gl.Nr.v.13.10.2004	
		 MARQUARDT	