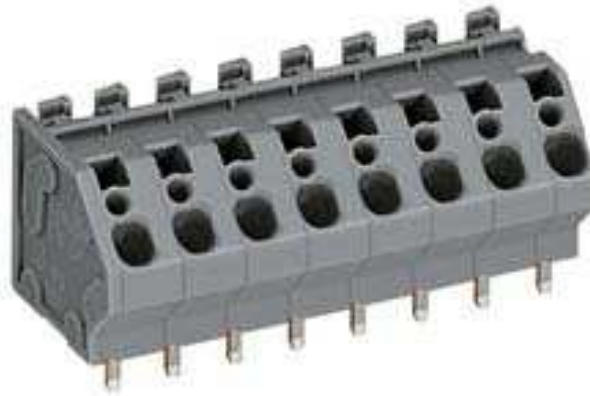


## Data sheet

745-154

**PCB TERMINAL STRIP 2 SOLDER PINS / POLE  
PIN SPACING 7.5 MM / 0.295 IN WITHOUT FIXING FLANGE FRONT-ENTRY**



## Technical data

Package size 80 pieces.

Pin spacing from	7.5 mm
Pin spacing from	0.295 in
pole count	4
Cross section from [mm <sup>2</sup> ]	0.08 mm <sup>2</sup>
Cross section to [mm <sup>2</sup> ]	4 mm <sup>2</sup>
Cross section from [AWG]	28 AWG
Cross section to [AWG]	12 AWG
Measured voltage EN	500 V
Measured shock voltage	6 kV
Pollution degree	3
Current intensity EN	20 A
Weight	8.29 g
Color	grey
Wiring type	Front-entry
No. of connection Points	4
No. of potentials	4
Height	19 mm
Height	0.748 in
Width	29 mm
Width	1.142 in
Depth	22.9 mm
Depth	0.902 in
Strip length from	8 mm

---

## Data sheet

745-154

**PCB TERMINAL STRIP 2 SOLDER PINS / POLE  
PIN SPACING 7.5 MM / 0.295 IN WITHOUT FIXING FLANGE FRONT-ENTRY**

---

Strip length to	9 mm
Strip length	0.33 in
xxx-xxx/000-006	blue
xxx-xxx/000-017	yellow-green
xxx-xxx/000-009	light gray
xxx-xxx/000-016	green-yellow
xxx-xxx/005-000	with fixing flange
xxx-xxx/005-xxx	with fixing flange

---

Data sheet

745-154

**PCB TERMINAL STRIP 2 SOLDER PINS / POLE  
PIN SPACING 7.5 MM / 0.295 IN WITHOUT FIXING FLAGE FRONT-ENTRY**

---

Approval	Voltage	Current	Approval number	Notes
cURus	300	20	E45172	
ENEC15	500	20	DK131096-01	

## Data sheet

745-154

**PCB TERMINAL STRIP 2 SOLDER PINS / POLE  
PIN SPACING 7.5 MM / 0.295 IN WITHOUT FIXING FLAGE FRONT-ENTRY**

### Accessories

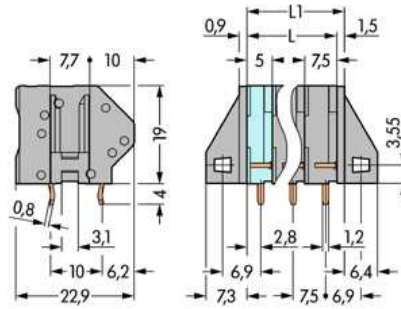
### Item number

COMB TYPE JUMPER BAR 10-WAY	745-190
COMB TYPE JUMPER BAR 2-WAY	745-192
COMB TYPE JUMPER BAR 3-WAY	745-193
COMB TYPE JUMPER BAR 4-WAY	745-194
COMB TYPE JUMPER BAR 5-WAY	745-195
COMB TYPE JUMPER BAR FROM 1 TO 3	745-191
MINIATURE WSB QUICK MARKING SYSTEM PLAIN	248-501
MINIATURE WSB QUICK MARKING SYSTEM PLAIN	248-501/000-002
MINIATURE WSB QUICK MARKING SYSTEM PLAIN	248-501/000-005
MINIATURE WSB QUICK MARKING SYSTEM PLAIN	248-501/000-006
MINIATURE WSB QUICK MARKING SYSTEM PLAIN	248-501/000-007
MINIATURE WSB QUICK MARKING SYSTEM PLAIN	248-501/000-012
MINIATURE WSB QUICK MARKING SYSTEM PLAIN	248-501/000-017
MINIATURE WSB QUICK MARKING SYSTEM PLAIN	248-501/000-023
MINIATURE WSB QUICK MARKING SYSTEM PLAIN	248-501/000-024
SCREWDRIVER Type 2, bar (3,5 x 0,5) mm	210-120
SCREWDRIVER WITH PARTIALLY INSULATED SHAFT Type 2, bar (3,5 x 0,5) mm	210-620
TEST PLUG 2 MM / 0.079 IN WIDE	210-136
TEST PLUG 2.3 MM / 0.091 IN WIDE	210-137
WMB MULTI MARKING SYSTEM PLAIN	793-501
WMB MULTI MARKING SYSTEM PLAIN	793-5501
WMB MULTI MARKING SYSTEM PLAIN	793-501/000-006
WMB MULTI MARKING SYSTEM PLAIN	793-501/000-005
WMB MULTI MARKING SYSTEM PLAIN	793-501/000-002
WMB MULTI MARKING SYSTEM PLAIN	793-501/000-007
WMB MULTI MARKING SYSTEM PLAIN	793-501/000-012
WMB MULTI MARKING SYSTEM PLAIN	793-501/000-017
WMB MULTI MARKING SYSTEM PLAIN	793-501/000-023
WMB MULTI MARKING SYSTEM PLAIN	793-501/000-024

Data sheet

745-154

**PCB TERMINAL STRIP 2 SOLDER PINS / POLE  
PIN SPACING 7.5 MM / 0.295 IN WITHOUT FIXING FLANGE FRONT-ENTRY**



---

Data sheet

745-154

PCB TERMINAL STRIP 2 SOLDER PINS / POLE  
PIN SPACING 7.5 MM / 0.295 IN WITHOUT FIXING FLANGE FRONT-ENTRY

---

Diameter of drilled hole:  $1,5^{+0,1}$  mm

$L = (\text{No. of poles} - 1) \times \text{pin spacing} + 5 \text{ mm}$

$L1 = L + 1,5 \text{ mm} = \text{without fixing flanges}$