

## 2JP0124P

### CELLULAR / LTE Rigid Fiberglass Adhesive Mount

#### Key Features

##### CELLULAR / LTE

- 698-960 MHz
- 1710-2170 MHz
- 2500-2700 MHz

Embedded Antenna

Self-Adhesive

High Performance

Ground Plane Independent

Dimensions 136.8 x 32.6 x 0.4 mm

Customizable Cable and Connector



## 1. Antenna and electrical specifications

Parameters	CELLULAR / LTE Antenna		
<b>Standards</b>	2G,3G and 4G		
<b>Band (MHz)</b>	700/850/900	1700/1800/1900/2100	2600
<b>Frequency (MHz)</b>	698-960	1710-2170	2500-2700
<b>Return Loss (dB)</b>	~-13.6	~-23.5	~-11.8
<b>VSWR</b>	~1.7:1	~1.1:1	~1.7:1
<b>Efficiency (%)</b>	~58	~74	~61
<b>Peak Gain (dBi)</b>	~1.5	~3.1	~3.5
<b>Average Gain (dB)</b>	~-2.4	~-1.3	~-2.0
<b>Impedance (Ohm)</b>	50		
<b>Polarisation</b>	Linear		
<b>Radiation Pattern</b>	Omni-Directional		
<b>Max. Input Power (W)</b>	25		
<b>Connector Type</b>	Most RF Connectors (U.FL Standard)		
<b>Cable Length</b>	Any Cable Length (150mm Standard)		
<b>Cable Type</b>	Other Cables Available (1.37mm Standard)		

### Antenna Measurement Conditions:

Mounted on 30 x 30 cm ABS Plate with 2.5 mm Thickness

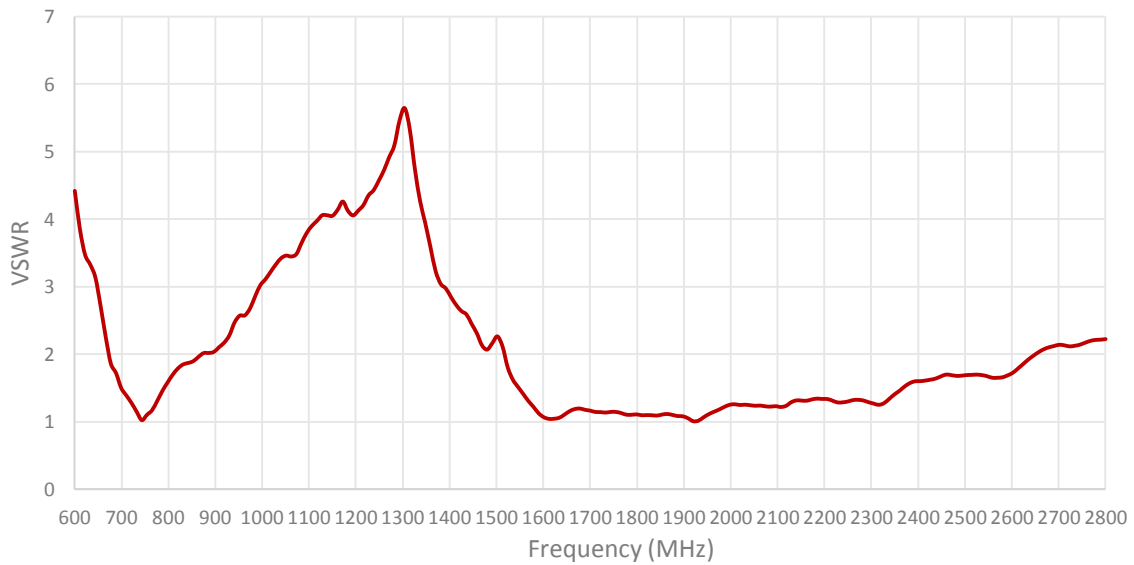
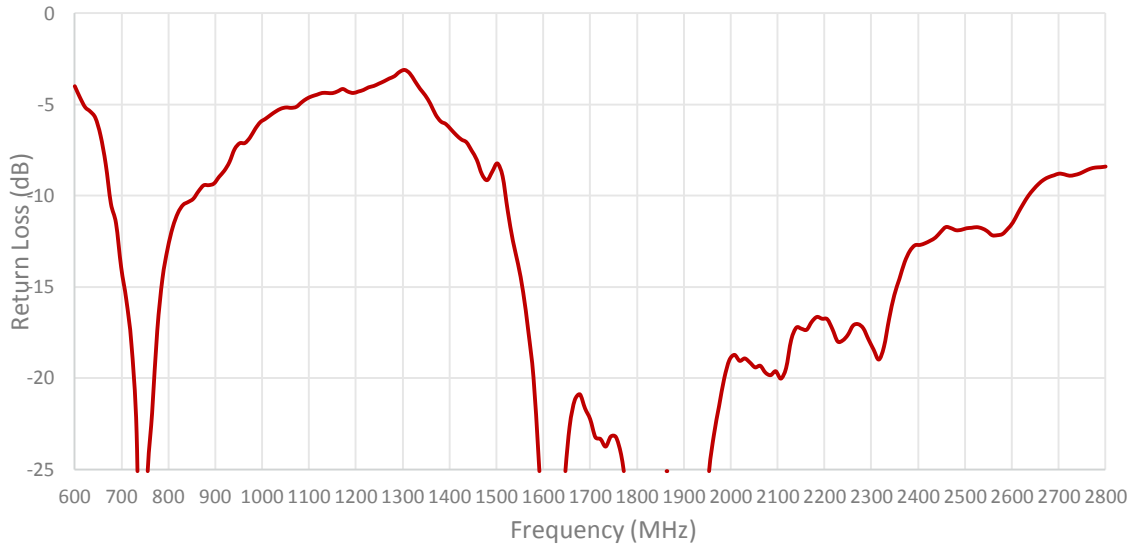
150 mm 1.37 mm Mini-Coax Cable

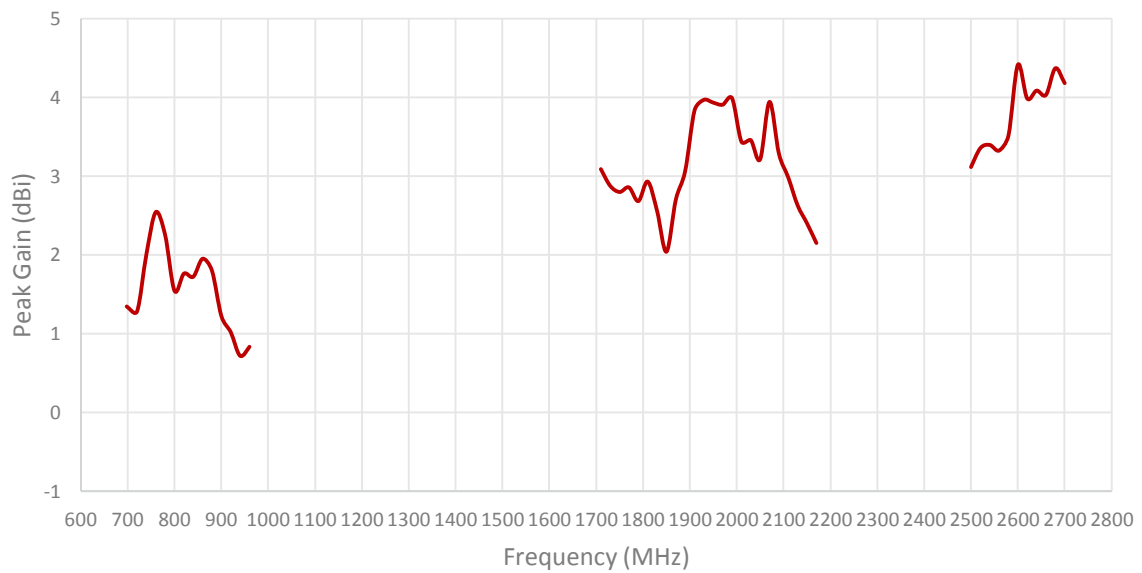
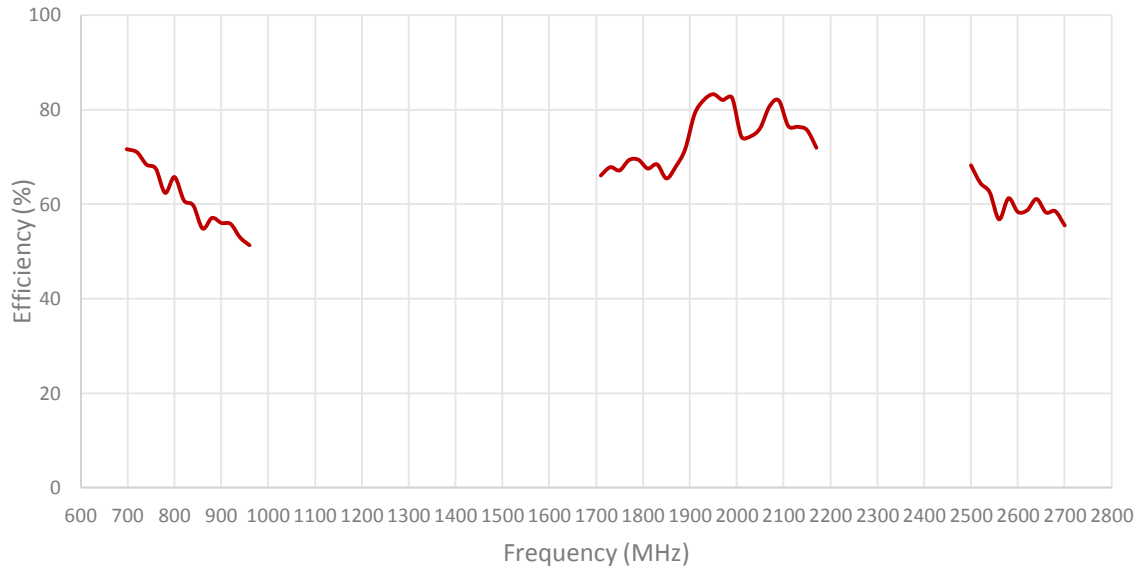
Measured in Certified CTIA 3D Anechoic Chamber

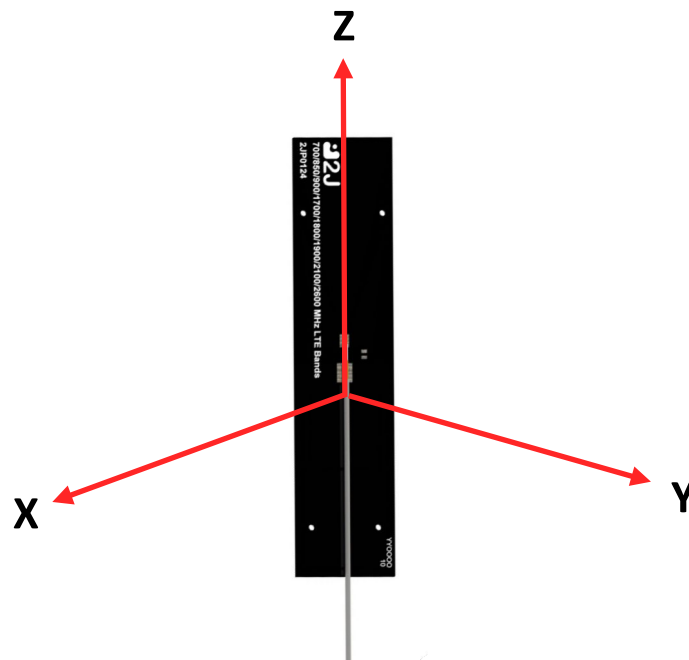
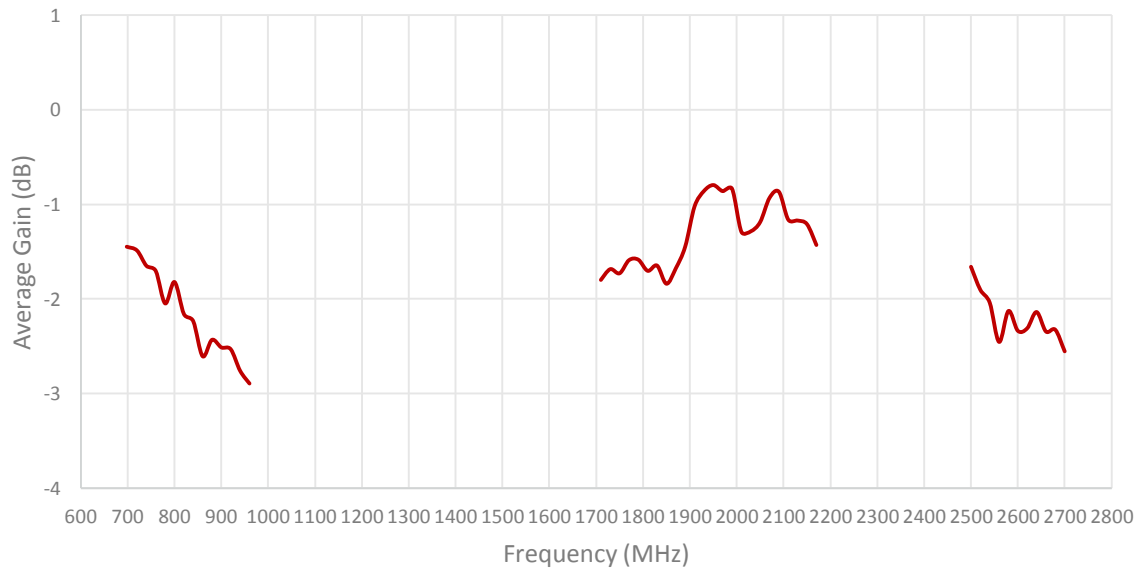
## 2. Mechanical and environmental specifications

Specifications	2JP0124P
<b>Mounting Type</b>	Adhesive Mount
<b>Dimensions (mm)</b>	136.8 x 32.6 x 0.4
<b>Adhesive Type</b>	3M 467
<b>Material</b>	Rigid Fiberglass
<b>Operating Temperature (C)</b>	-40 to +85
<b>Storage Temperature (C)</b>	-40 to +85
<b>Substance Compliance</b>	RoHS

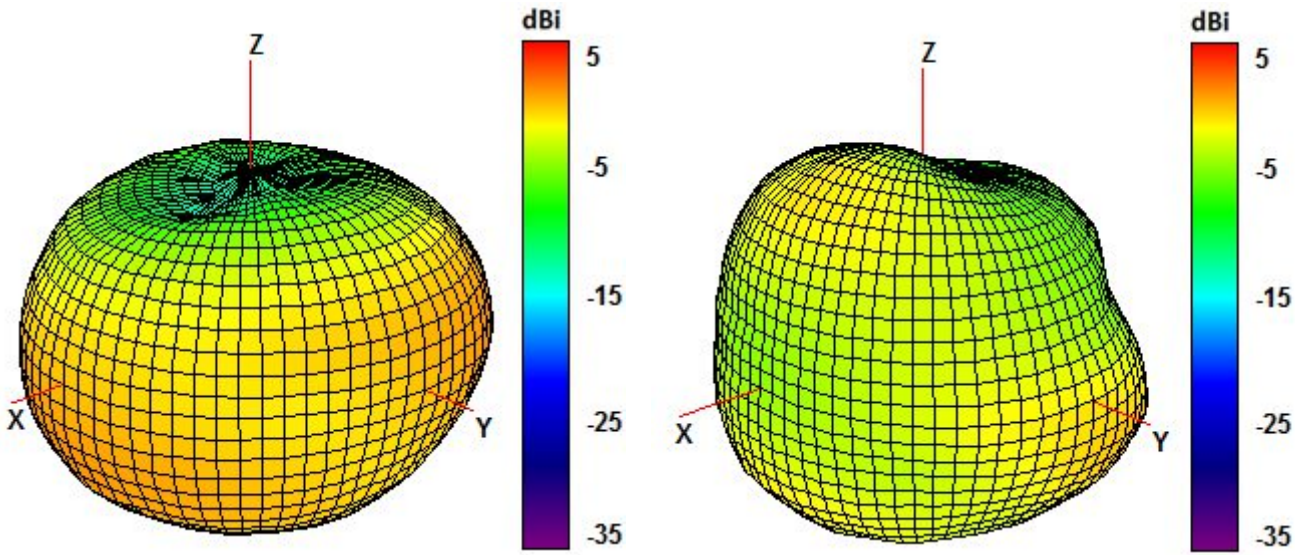
### 3. Antenna parameters



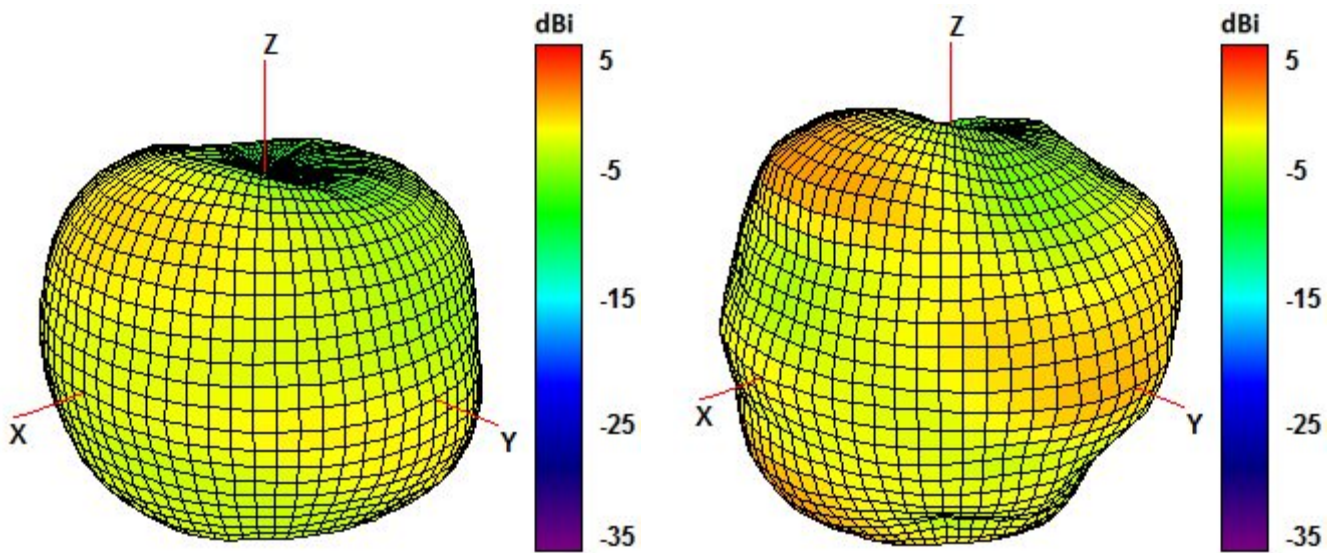




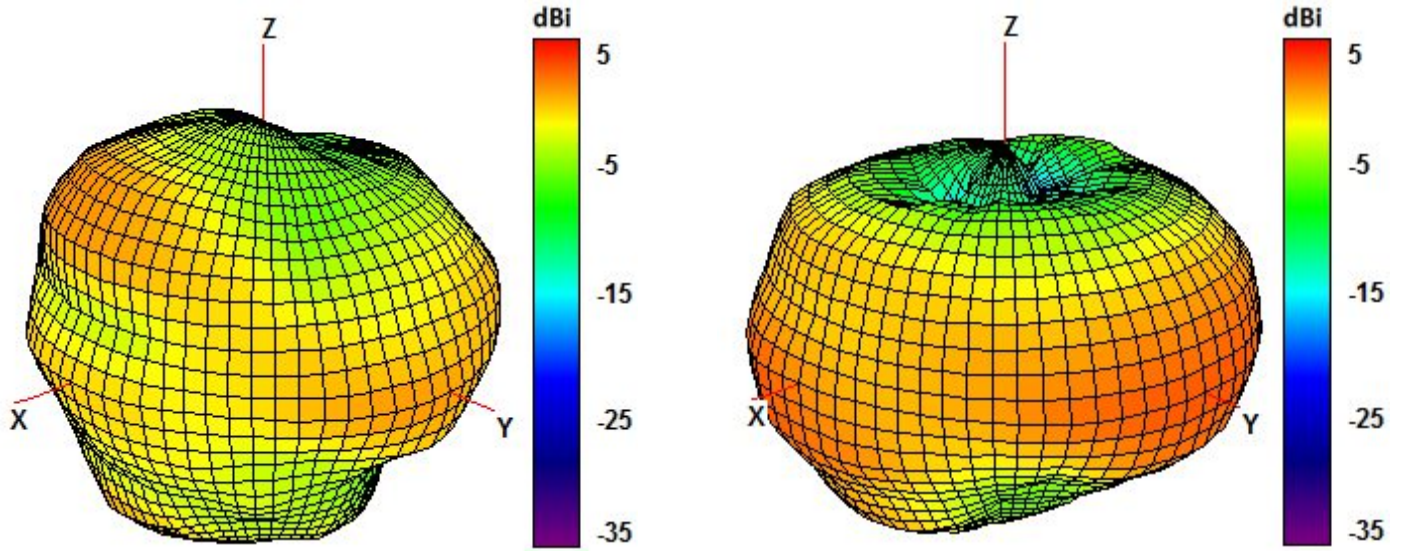
Radiation pattern reference



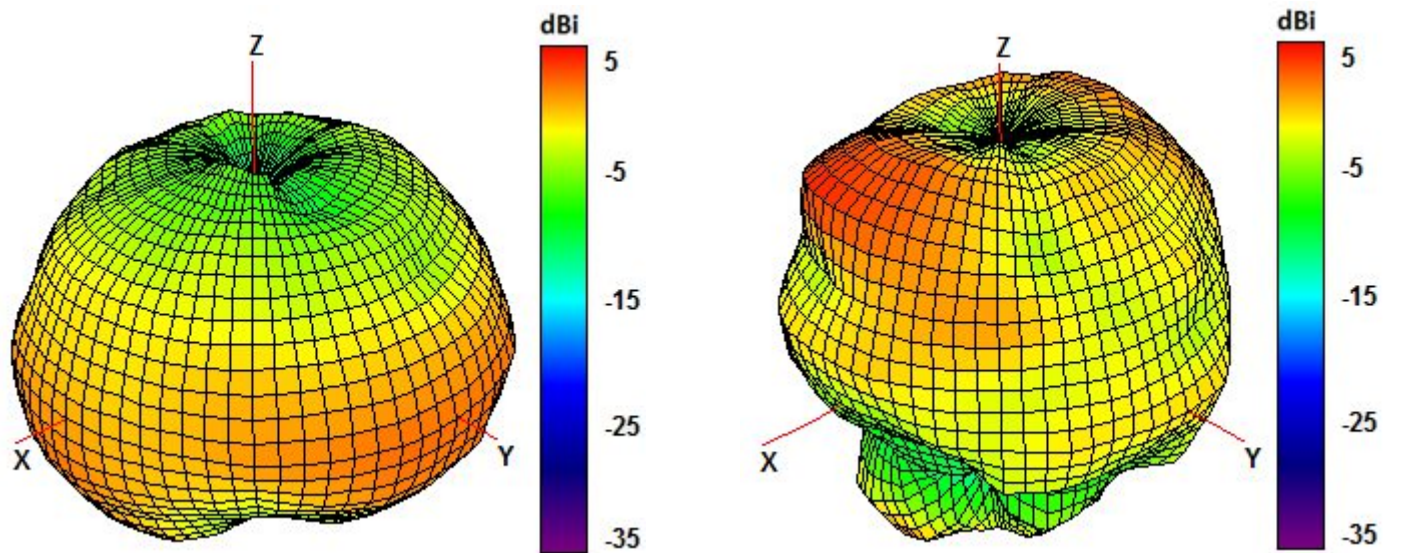
750 and 850 MHz Radiation pattern



940 and 1750 MHz Radiation pattern

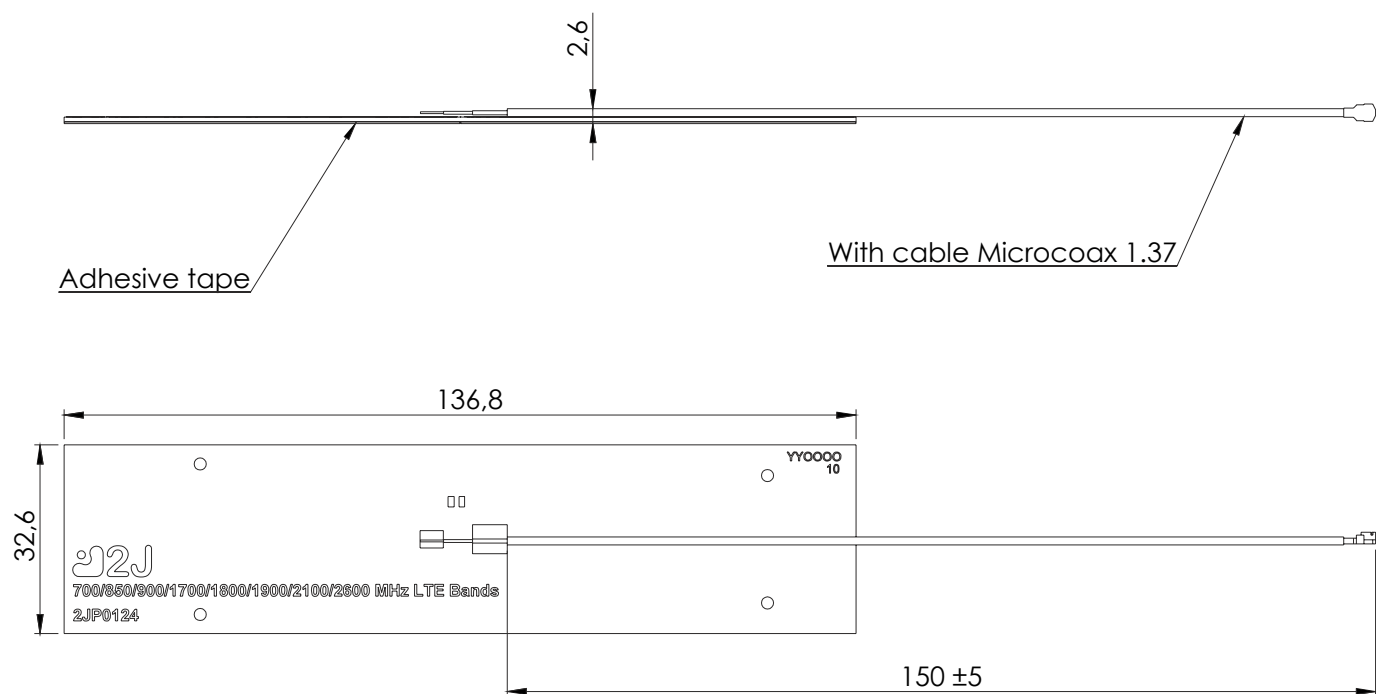


1850 and 1950 MHz Radiation pattern



2100 and 2600 MHz Radiation pattern

## 4. Antenna drawings





## 5. Antenna Images

