

REV.	DESCRIPTION	DRAWN	DATE
1	INITIAL RELEASE	TIM	2024/02/29

Notes:

Electrical Specifications:

- Inductance At 100 KHZ, 100 mV 8mADC Bias: 120 uH Min.
- Insertion Loss: -1.0 dB Max. @ 1-100 MHz  
-2.0 dB Max. @ 100-400 MHz  
-3.0 dB Max. @ 400-500 MHz
- Return Loss: -18dB Min. @ 1-40MHz  
-18dB Min. @ 40-400MHz  
-8dB Min. @ 400-500MHz
- Cross Talk: 1-100MHz -30dB Min.  
100-500MHz -20dB Min.
- Common Mode Rejection: -30dB Min. @ 1-100MHz  
-24dB Min. @ 100-300MHz  
-22dB Min. @ 300-500MHz
- Isolation Voltage: 2250Vrms / 60 Seconds
- Voltage Rating: 57VDC MAX.
- Current Rating: 720mADC MAX.
- Turns Ratio:@100KHz,0.1V: 1:1±2%

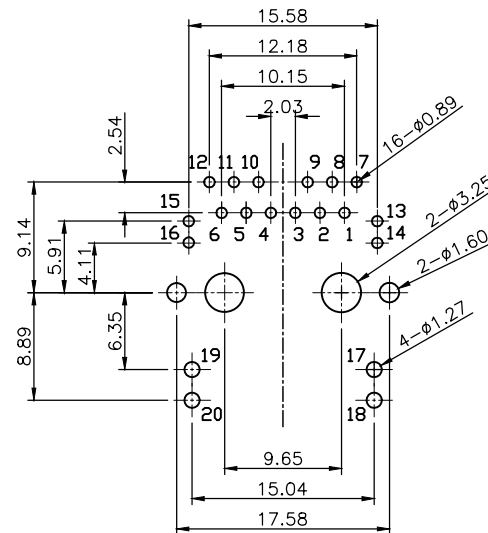
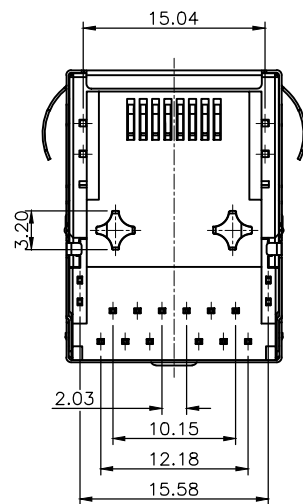
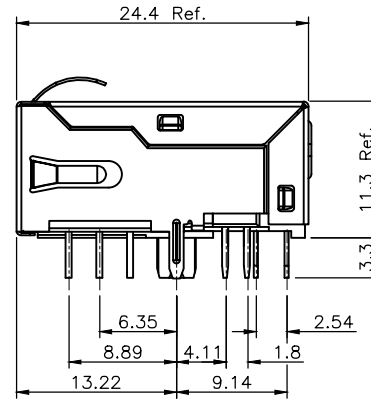
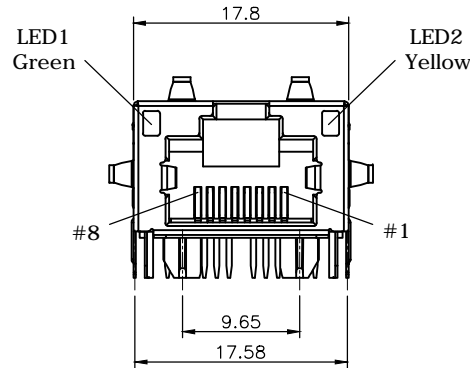
Mechanical:

- Operating Life : 750 Cycles Min.

Environmental:

- Storage: -40°C TO +85°C.
- Operation: -40°C TO +85°C.
- Soldering Temperature:255~265°C (5~10 Seconds)

Mates With Modular Plug Conforming To TIA-1096-A  
Designed to exceed IEEE802.3.bt with up to 60W



RECOMMENDED LAYOUT ( TOP VIEW )  
GENERAL TOLERANCE: ±0.05mm

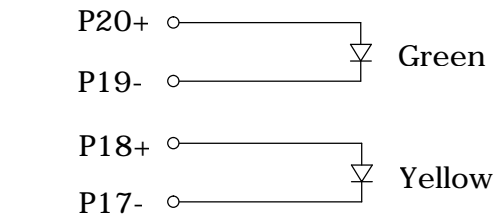
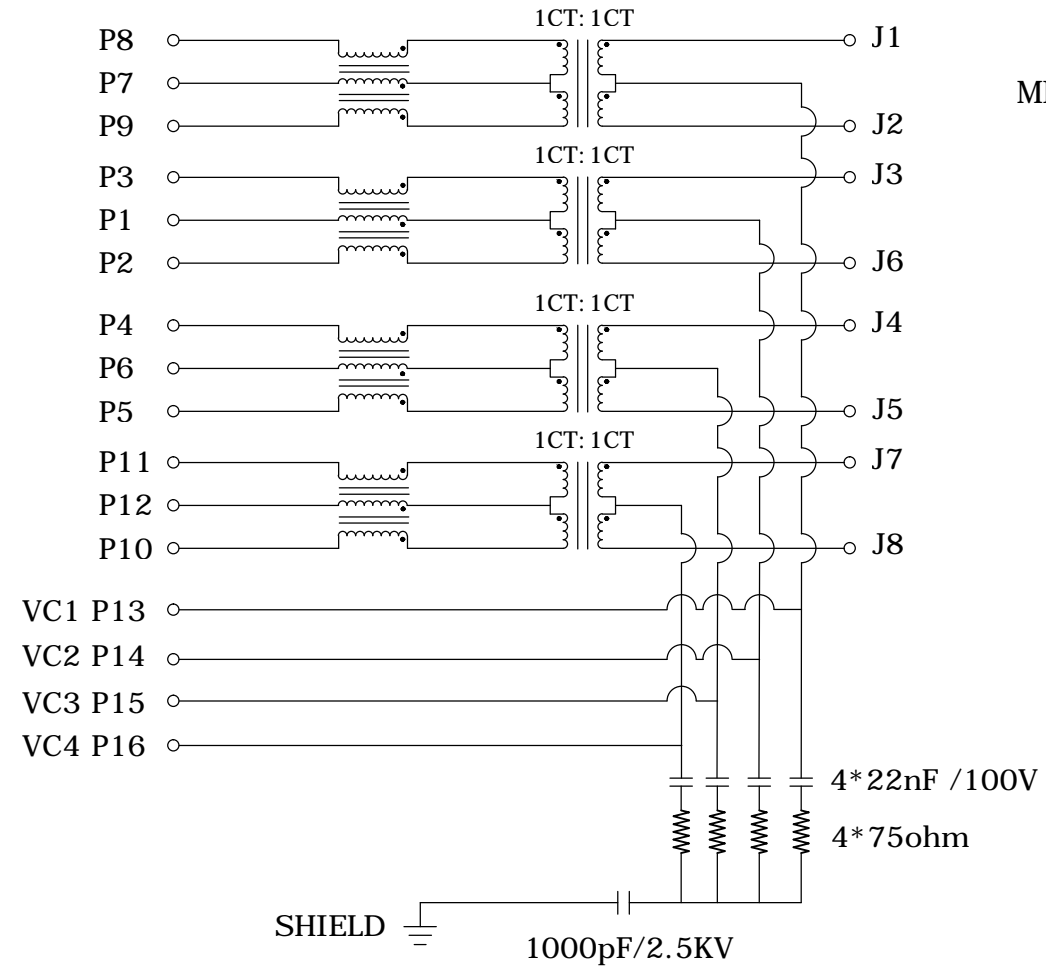
3	SHELL	Brass 0.2t, Nickel plating	
2	CONTACT	Phosphor Bronze 0.35t,	
		Contact area: 30u" Gold plating over Nickel Solder Tail: Tin plating over Nickel	
1	HOUSING	LCP, UL94V-0, Black	
UNLESS OTHERWISE SPECIFIED TOLERANCE			
UNIT:	DECIMAL	LINEAR	ANGLES
	mm	X.X ±0.50	±5°
		X.X ±0.25	±3°
		X.XX ±0.15	±1°
		www.attend.com.tw	
DRAWN	Tim	2024/02/29	DRAWN NAME:
CHECKED	Fros	2024/02/29	RJ45 PoE++ Type3 Jack, 1x1 Port, R/A Latch UP w/LED, 57V 720mA, 30u", 10G BASE-T
APPROVED	Ken	2024/02/29	PRODUCT NO. 214A-R535
SCALE 1.6/1		SHEET 1/2	SIZE A4
FILE NAME		214A-R535_B_1	



REV.	DESCRIPTION	DRAWN	DATE
	SEE SHEET ONE		

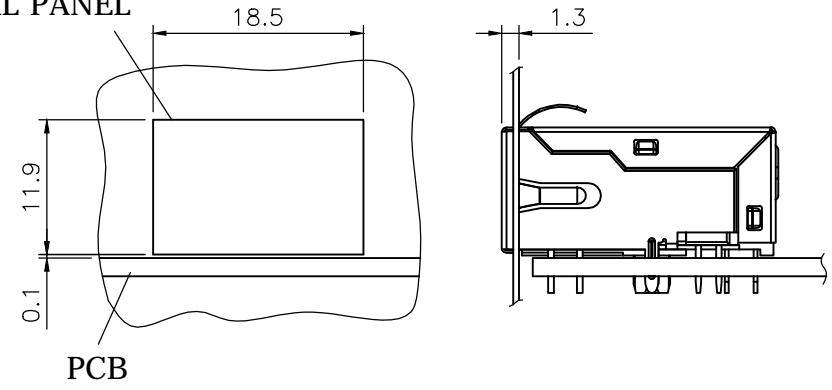
CONNECTOR SOLDER SIDE

RJ45 CONTACT SIDE

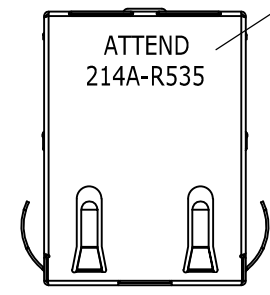


CONNECTOR SCHEMATIC


METAL PANEL



Recommended Panel Cutout



MARKING:  
ATTEND: Logo  
214A-R535: Part Number

UNLESS OTHERWISE SPECIFIED TOLERANCE				 www.attend.com.tw		
UNIT:	DECIMAL	LINEAR	ANGLES			DRAWN NAME: RJ45 PoE++ Type3 Jack, 1x1 Port, R/A Latch UP w/LED, 57V 720mA, 30u", 10G BASE-T
mm	X.	±0.50	±5°			
	X.X	±0.25	±3°			
	X.XX	±0.15	±1°			
DRAWN	Tim	2024/02/29	PRODUCT NO.	214A-R535		
CHECKED	Fros	2024/02/29	FILE NAME	214A-R535_B_1		
APPROVED	Ken	2024/02/29	SCALE	1.6/1		
		SHEET	SIZE			
		2/2	A4			