

Data sheet

750-333

PROFIBUS DP/V1 FIELDBUS COUPLER 12 MBaud CARRIER RAIL DIN 35 CAGE CLAMP CONNECTION



Technical data

Package size 1 piece.

Max. no. of nodes	96 with repeater
Max. no. Of I/O points	ca. 6000 (depends on Master)
Transmission medium	Cu-cable acc. to EN 50170
Max. length of fieldbus segment	100 m ... 1200 m (depends on the baud rate / on the cable)
Baud rate	9.6 kBaud ... 12 Mbaud
Transmission time	typ. 1 ms (10 Modules; 32 E, 32 A/Mod; at 12 Mbaud and digital Signals) max. 3.3 ms
Buscoupler connection	1 x D-SUB 9; socket
UL 508	E175199, UL 508
Standard	EN 50170
Conformity marking	CE
Max. no. of I/O modules	63
Max. fieldbus input image (Byte)	244 Byte
Max. fieldbus output image (Byte)	244 Byte
Configuration	via PC or PLC
Voltage supply	DC 24 V (-25% / + 30%)
Input current (max)	500 mA
Efficiency of the power supply	87 %
Internal current consumption	200 mA
Total current for the I/O modules	1800 mA
Isolation	500 V system / supply
Voltage via power jumper contacts (max)	DC 24 V (-25% / + 30%)

Data sheet

750-333

PROFIBUS DP/V1 FIELDBUS COUPLER 12 MBaud CARRIER RAIL DIN 35 CAGE CLAMP CONNECTION

Current via power jumper contacts (max)	DC 10 A
Operating temperature	0 °C ... + 55 °C
Storage temperature	-25 °C ... +85 °C
Relative air humidity	95 %
Vibration resistance	acc. IEC 60068-2-6
Shock resistance	acc. IEC 60068-2-27
Degree of protection	IP 20
EMC immunity to interference	acc. EN 50082-2 (96)
EMC emission of interference	acc. EN 50081-2 (94)
EMC marine applications - Immunity to interference	gem. Germanischer Lloyd (1997)
EMC marine applications - Emission of interference	gem. Germanischer Lloyd (1997)
Cross section from [mm ²]	0.08 mm ²
Cross section to [mm ²]	2.5 mm ²
Cross section from [AWG]	28 AWG
Cross section to [AWG]	14 AWG
Weight	182 g
Color	light grey
Height	65 mm
Height	2.56 in
Width	51 mm
Width	2.008 in
Depth	100 mm
Depth	3.937 in
Strip length from	8 mm
Strip length to	9 mm
Strip length	0.33 in
Manuals	

Data sheet

750-333

**PROFIBUS DP/V1 FIELDBUS COUPLER 12 MBaud
CARRIER RAIL DIN 35 CAGE CLAMP CONNECTION**

Approval	Voltage	Current	Approval number	Notes
BV			13453/A0BV	
cULus	24		E175199	
DNV			A-8471	
GL			40197-01HH	
LR			02/20036	
Rina			MAC30402CS1	

Data sheet

750-333

PROFIBUS DP/V1 FIELDBUS COUPLER 12 MBaud CARRIER RAIL DIN 35 CAGE CLAMP CONNECTION

Accessories

Item number

ALUMINIUM CARRIER RAIL 35 X 7.5 MM, 1.5 MM / 0.059 IN THICK	210-196
COMMUNICATION CABLE	750-920
COPPER CARRIER RAIL 35 X 15 MM, 2.3 MM / 0.091 IN THICK	210-198
END MODULE CARRIER RAIL DIN 35	750-600
Individual wire jumpers	individual jumper
IP65 ENCLOSURE SHEET STEEL	850-811
IP65 ENCLOSURE SHEET STEEL	850-812
IP65 ENCLOSURE SHEET STEEL	850-813
MARKERS FOR GROUP MARKER CARRIERS MARKER CARD DIN A4 (160 MARKERS)	750-100
MINIATURE WSB QUICK MARKING SYSTEM PLAIN	248-501
MINIATURE WSB QUICK MARKING SYSTEM PLAIN	248-501/000-002
MINIATURE WSB QUICK MARKING SYSTEM PLAIN	248-501/000-005
MINIATURE WSB QUICK MARKING SYSTEM PLAIN	248-501/000-006
MINIATURE WSB QUICK MARKING SYSTEM PLAIN	248-501/000-007
MINIATURE WSB QUICK MARKING SYSTEM PLAIN	248-501/000-012
MINIATURE WSB QUICK MARKING SYSTEM PLAIN	248-501/000-017
MINIATURE WSB QUICK MARKING SYSTEM PLAIN	248-501/000-023
MINIATURE WSB QUICK MARKING SYSTEM PLAIN	248-501/000-024
Open individual wire jumpers ends	individual jumper open end
POWER SUPPLY UNIT PRIMARY TRIGGERED	787-903
POWER SUPPLY UNIT PRIMARY TRIGGERED	787-904
POWER SUPPLY UNIT PRIMARY TRIGGERED	787-912
PROFIBUS FIELDBUS PLUG WITH D-SUB-PLUG	750-960
PROFIBUS FIELDBUS PLUG WITH D-SUB FEMALE AND MALE CONNECTOR	750-970
PROFINET IO FIELDBUS COUPLER 100 Mbit	750-340
PROFINET PROGRAMMABLE FIELDBUS CONTROLLER 100 Mbit	750-840
RAIL-MOUNTED MODULES - POWER SUPPLYUNITS WITH UNIVERSAL MOUNTING CARRIER	288-808
RAIL-MOUNTED MODULES - POWER SUPPLYUNITS WITH UNIVERSAL MOUNTING CARRIER	288-809
RAIL-MOUNTED MODULES - POWER SUPPLYUNITS WITH UNIVERSAL MOUNTING CARRIER	288-810
RAIL-MOUNTED MODULES - POWER SUPPLYUNITS WITH UNIVERSAL MOUNTING CARRIER	288-812
RAIL-MOUNTED MODULES - POWER SUPPLYUNITS WITH UNIVERSAL MOUNTING CARRIER	288-813
RAIL-MOUNTED MODULES - POWER SUPPLYUNITS WITH UNIVERSAL MOUNTING CARRIER	288-814
RAIL-MOUNTED MODULES - POWER SUPPLYUNITS WITH UNIVERSAL MOUNTING CARRIER	288-815

Data sheet

750-333

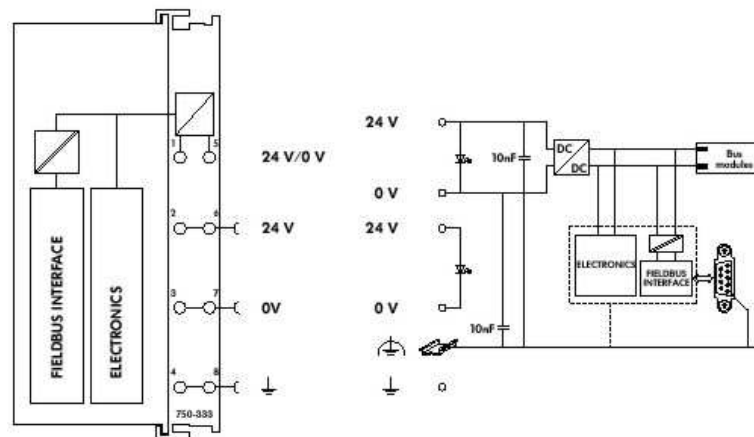
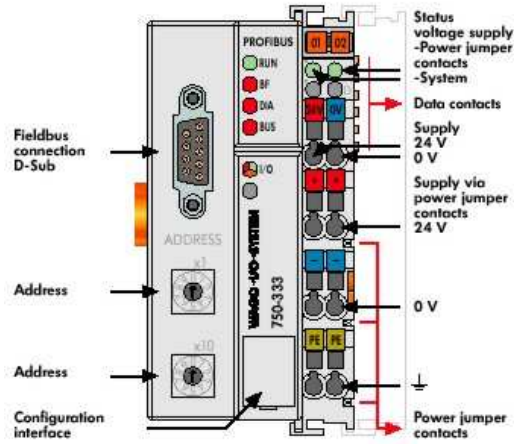
PROFIBUS DP/V1 FIELDBUS COUPLER 12 MBaud CARRIER RAIL DIN 35 CAGE CLAMP CONNECTION

SCREEN CLAMPING SADDLE 11 MM / 0.433 IN WIDE	790-108
SCREEN CLAMPING SADDLE 19 MM / 0.741 IN WIDE	790-116
SCREEN CLAMPING SADDLE 27 MM / 1.053 IN WIDE	790-124
SCREEN CLAMPING SADDLE 43 MM / 1.677 IN WIDE	790-140
SCREWDRIVER Type 1, bar (2,5 x 0,4) mm	210-119
SCREWDRIVER Type 2, bar (3,5 x 0,5) mm	210-120
SCREWDRIVER WITH PARTIALLY INSULATED SHAFT Type 1, bar (2,5 x 0,4) mm	210-619
SCREWDRIVER WITH PARTIALLY INSULATED SHAFT Type 2, bar (3,5 x 0,5) mm	210-620
SCREWLESS END STOP 10 MM / 0.394 IN WIDE	249-117
STEEL CARRIER RAIL 35 X 15 MM, 1.5 MM / 0.059 IN THICK	210-114
STEEL CARRIER RAIL 35 X 15 MM, 1.5 MM / 0.059 IN THICK	210-197
STEEL CARRIER RAIL 35 X 15 MM, 1.5 MM / 0.059 IN THICK	210-506
STEEL CARRIER RAIL 35 X 15 MM, 1.5 MM / 0.059 IN THICK	210-508
STEEL CARRIER RAIL 35 X 15 MM, 2.3 MM / 0.091 IN THICK	210-118
STEEL CARRIER RAIL 35 X 15 MM, 2.3 MM / 0.091 IN THICK	210-548
STEEL CARRIER RAIL 35 X 7.5 MM, 1 MM / 0.039 IN THICK	210-112
STEEL CARRIER RAIL 35 X 7.5 MM, 1 MM / 0.039 IN THICK	210-113
STEEL CARRIER RAIL 35 X 7.5 MM, 1 MM / 0.039 IN THICK	210-504
STEEL CARRIER RAIL 35 X 7.5 MM, 1 MM / 0.039 IN THICK	210-505
STEEL IP65 ENCLOSURES 10/100 Mbit/s	750-841/025-000
STEPPER MODULE FOR THE WAGO-I/O-SYSTEM 750	750-670
STÜTZELKO-MODUL SMOOTHES UNSTABLE DC 24 V POWER SUPPLIES	288-824
WAGO RADIO ADAPTER	750-921

Data sheet

750-333

PROFIBUS DP/V1 FIELDBUS COUPLER 12 MBaud CARRIER RAIL DIN 35 CAGE CLAMP CONNECTION



Data sheet

750-333

**PROFIBUS DP/V1 FIELDBUS COUPLER 12 MBaud
CARRIER RAIL DIN 35 CAGE CLAMP CONNECTION**

This buscoupler interfaces the I/O modules of the WAGO-I/O-SYSTEM 750 to PROFIBUS DP.

When initializing, the buscoupler determines the module structure of the node, to create the process image in Profibus. In order to optimize addresses, the I/O modules with a bit width smaller than 8 are grouped in one byte.

It is furthermore possible to deactivate I/O modules and to modify the image of the node according to the connected signals without having to modify the existing application.

The diagnosis concept is based on diagnostics according to the EN 50170 Standard. Therefore the programming of modules is not necessary to interpret the diagnostic information from each manufacturer.

Note: GSD files required

Data sheet

750-333

**PROFIBUS DP/V1 FIELDBUS COUPLER 12 MBaud
CARRIER RAIL DIN 35 CAGE CLAMP CONNECTION**
