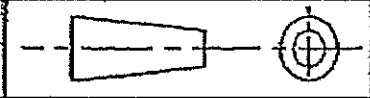
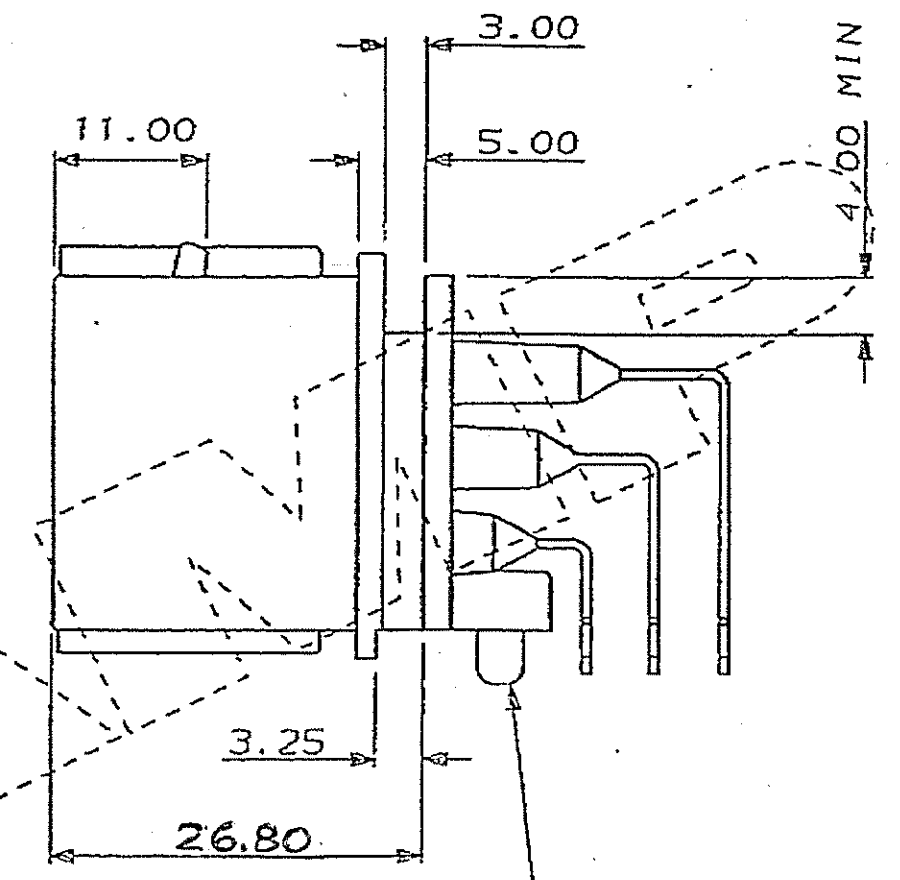
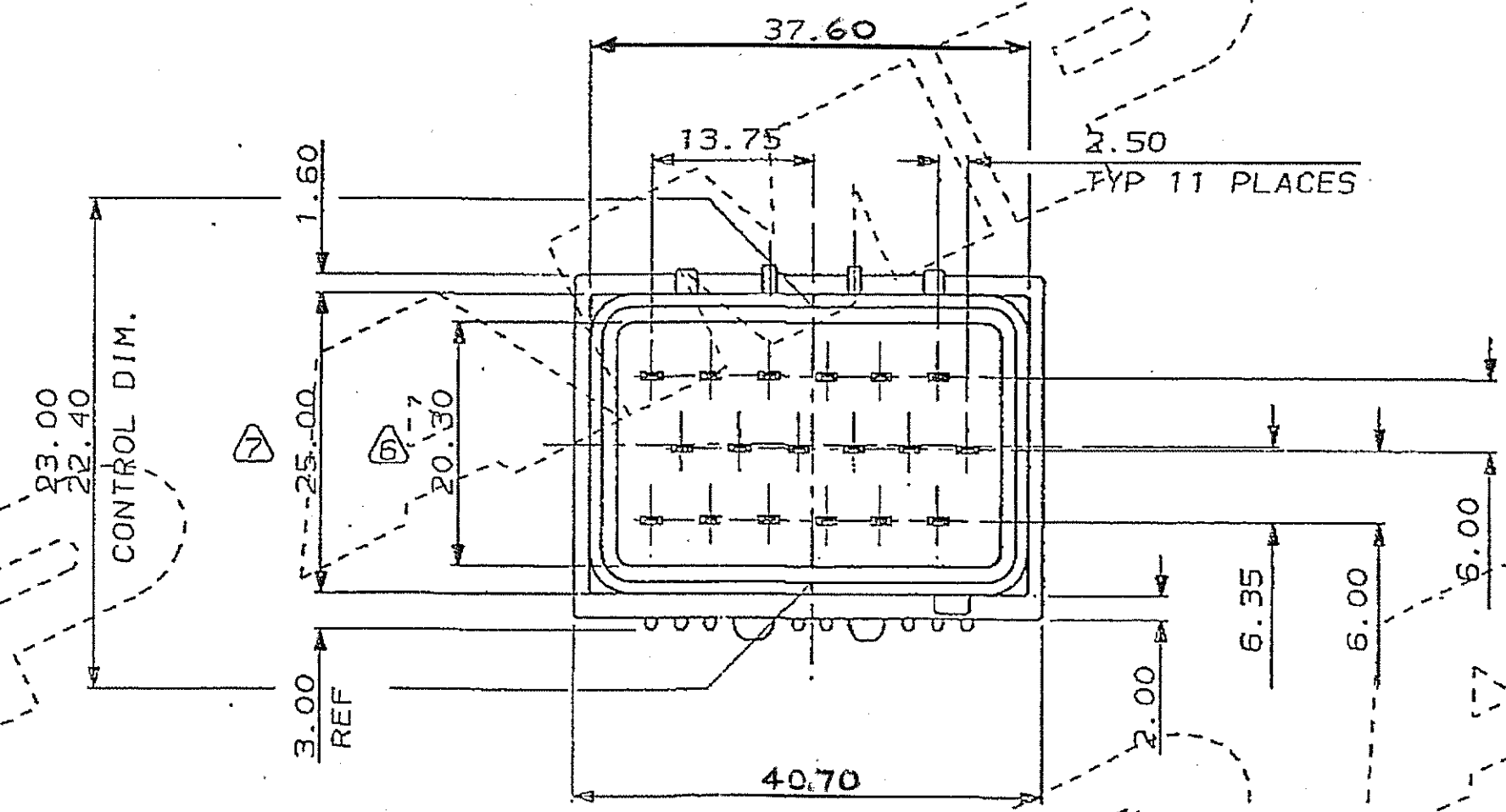
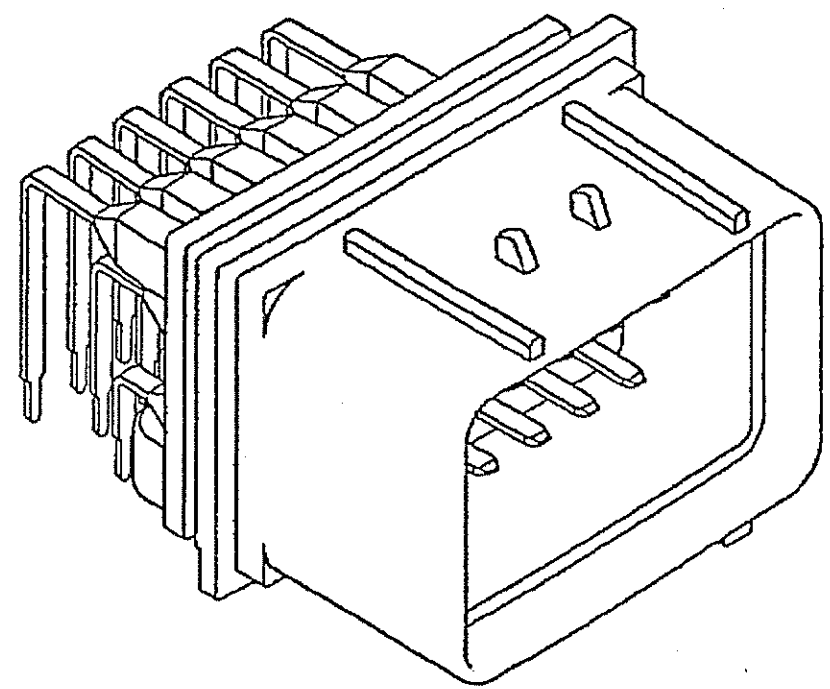


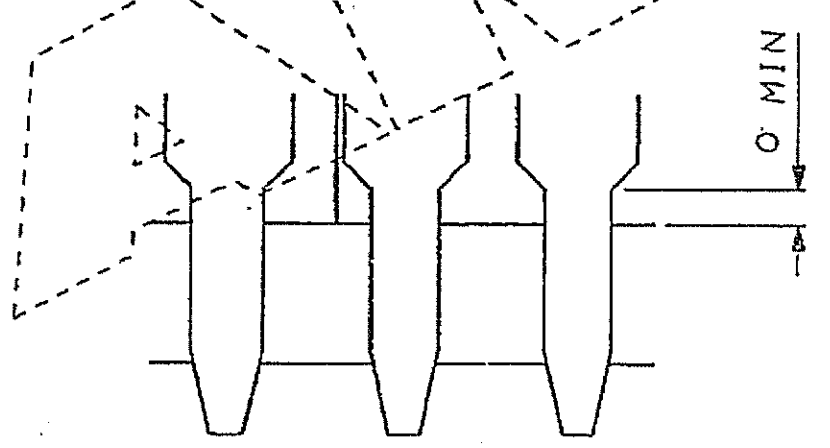
DO NOT SCALE DIMENSIONS IN MM.



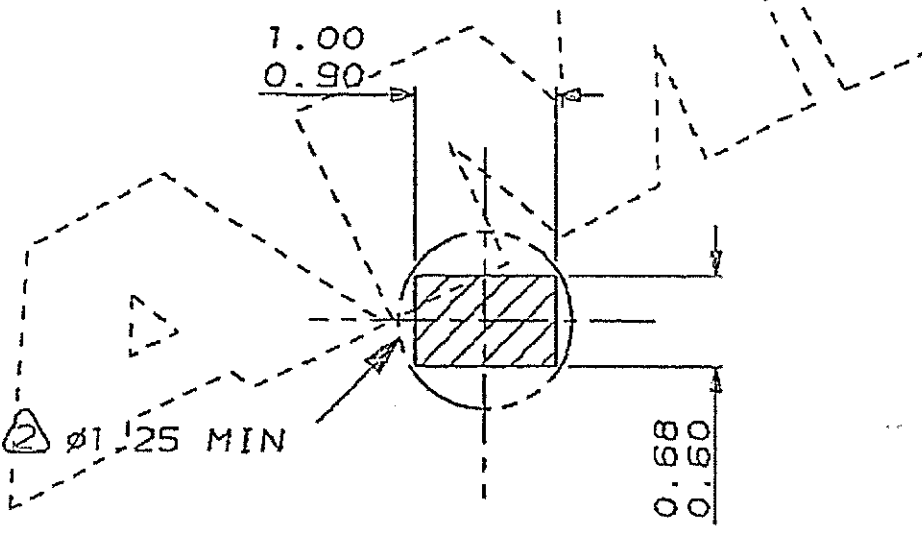
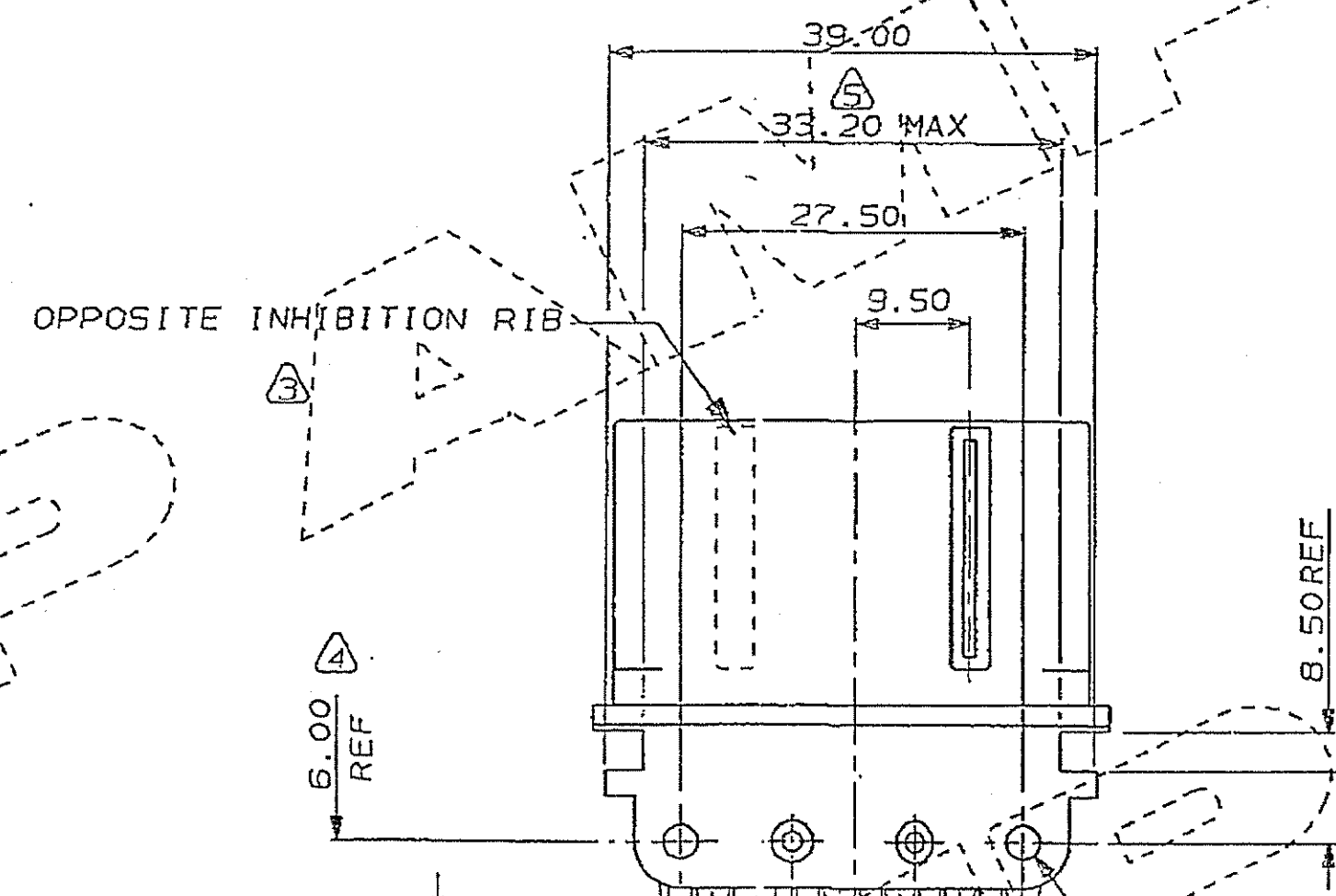
C.A.D. FILE CODE  
S. C344103.E



Ø3.17 x 4.00 LONG BOSS



SCRAP VIEW OF PINS  
SCALE 5:1



SCRAP VIEW OF PIN  
DETAIL SHOWING MINIMUM  
HOLE SIZE IN P.C.B. (DOTTED)

NOTES:

- ① TO SUIT SCREW 5.00mm LONG FLASH ACCEPTABLE AT END OF HOLE
- ② P.C.B. HOLE SIZE Ø 1.35 mm
- ③ PROVISION FOR OPPOSITE INHIBITION RIB (IF REQUIRED)
- ④ THE POSITIONING OF THE P.C.B. LEGS MUST BE SUCH THAT IT FITS GAUGE NO. 38-347 WHICH HAS A POSITIONAL TOLERANCE OF ±0.25
- ⑤ FLASH ACCEPTABLE AT TOOL SPLIT LINE (0.1 MAX.)
- ⑥ TO BE MEASURED AT THE CORNERS. DIMENSION AT C TO BE 19.90 MIN.
- ⑦ TO BE MEASURED AT THE CORNERS.

OPPOSITE INHIBITION RIB

WAS CP86-076-08

TIN	LEGS, GOLD TABS	TEMPER 4 BRASS	IN-MOULDED TAB	344103-1
	BLACK	15% GLASS FILLED NYLON	HEADER MouldING	
	FINISH	MATERIAL	DESCRIPTION	PART NUMBER
CUSTOMER DWG FOR REFERENCE ONLY			RELEASED FOR PUBLICATION 13/7/87	
TOLERANCES UNLESS OTHERWISE STATED DEC ± 0.25 ANGLES ± 1°			DR. <i>Mark White</i> 09 JUL 1987 CH. RJS APP. RJS	
NAME			TE Connectivity	
18 WAY HEADER (MK11) FOR ECONOSEAL 3 (WIRE TO BOARD)				
E1	RKHMR	REVISED PER ECO-11-005150	SCALE	LOC
REV	APPROVED	ECO	DATE	SIZE
			2/1	E
				A2
				DWG. NO.
				C344103
				REV
				E1
				SHEET
				1/1