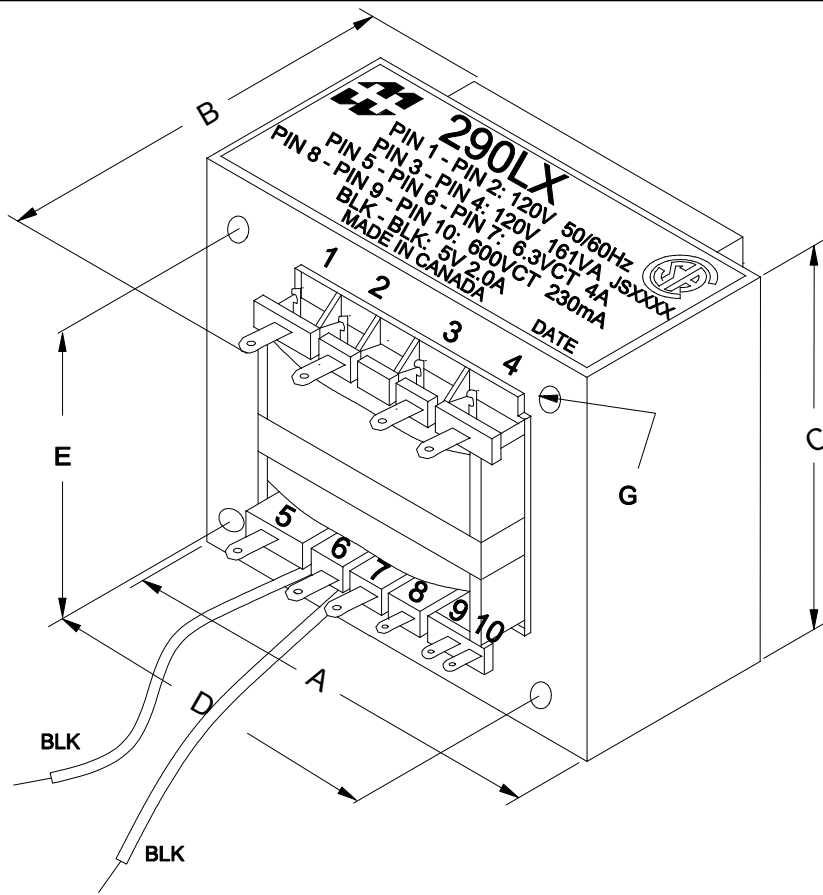
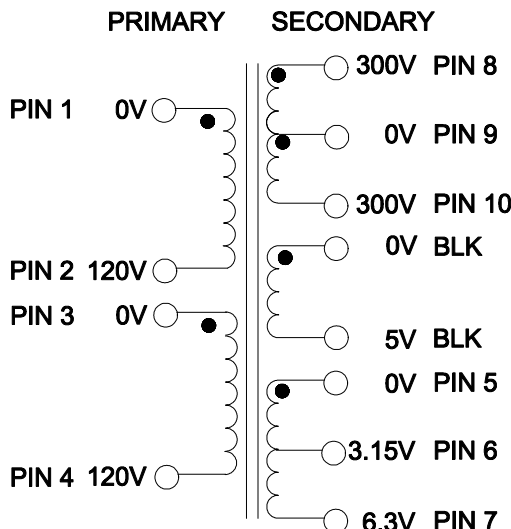


290LX



DIMENSIONS:	
A	3.780" ±0.063
B	4.050" ±0.063
C	3.160" ±0.063
D	3.150" ±0.063
E	2.510" ±0.063
G	0.215" ±0.010



ELECTRICAL DATA:	
Turns ratio:	1 : 5.49 ( PIN8 - PIN10 )
Exciting Current	@ 120V, 60Hz, Pin 1 - Pin 2 = 220 mA Max.
DCR	@ 20C, Pin 1 - Pin 2 = 3.42 Ω ±20%
	@ 20C, Pin 3 - Pin 4 = 3.92 Ω ±20%
	@ 20C, Pin 8 - Pin 10 = 77.8 Ω ±20%
	@ 20C, BLK - BLK = 0.088 Ω ±20%
	@ 20C, Pin 5 - Pin 7 = 0.047 Ω ±20%
Pri. Voltage	120V/240V 50/60Hz
Sec. Voltage (RMS)	600VCT @ 230mA/5V @ 2A/6.3VCT @ 4A
No Load Voltage	659.26V / 5.39V / 6.86V

**HAMMOND  
ELECTRONICS**

52 RANKIN PLACE,  
WATERLOO, ONTARIO, N2L 3Z5.  
PHONE (519) 886-6181  
FAX # (519) 886-9540

TITLE		POWER TRANSFORMER	
			DR BY IOAN POP
1	08/11/09	PRELIMINARY.	I.P. DATE 05/12/09
NO	DATE	REVISION	DIM IN(X)MM( )

290LX