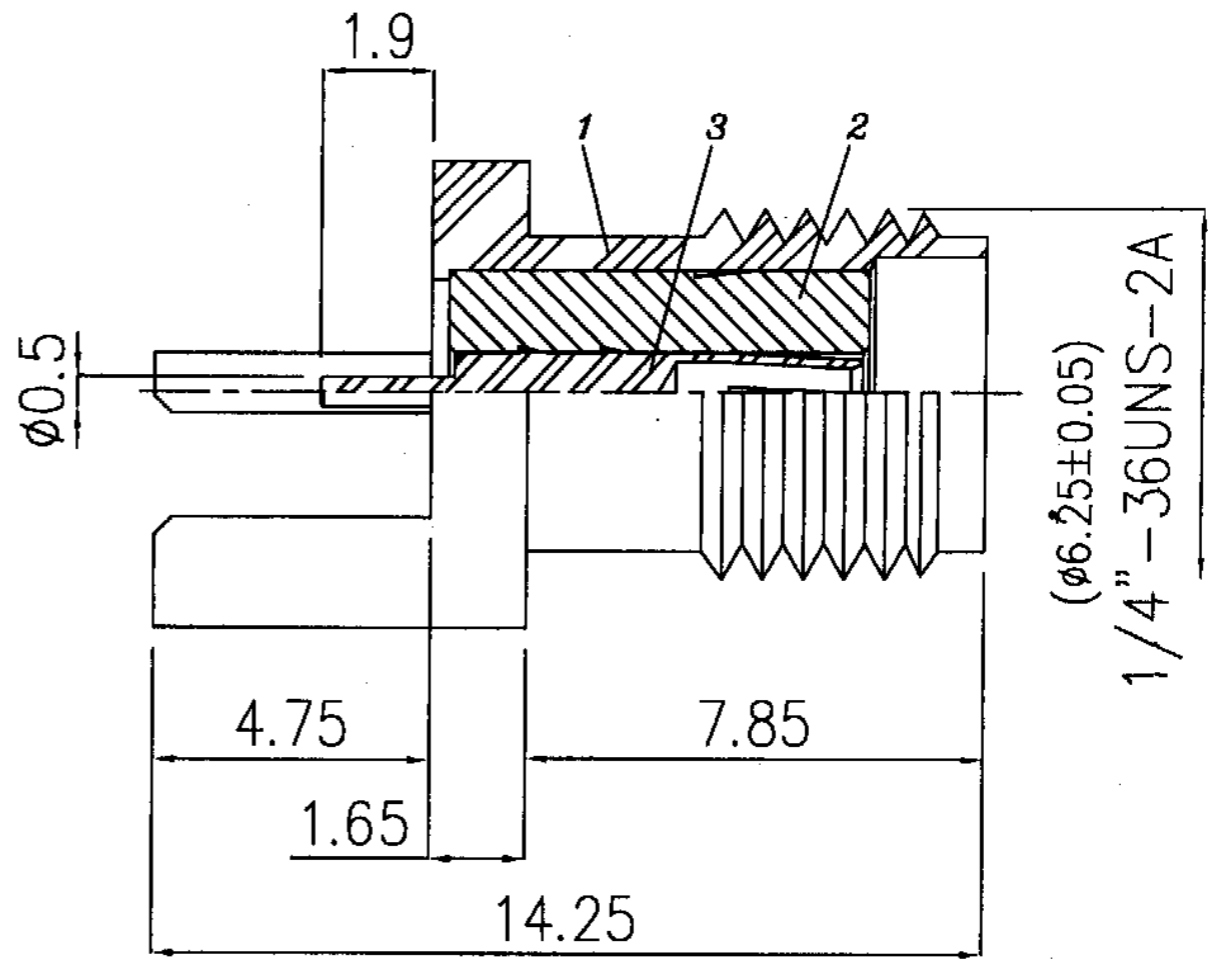
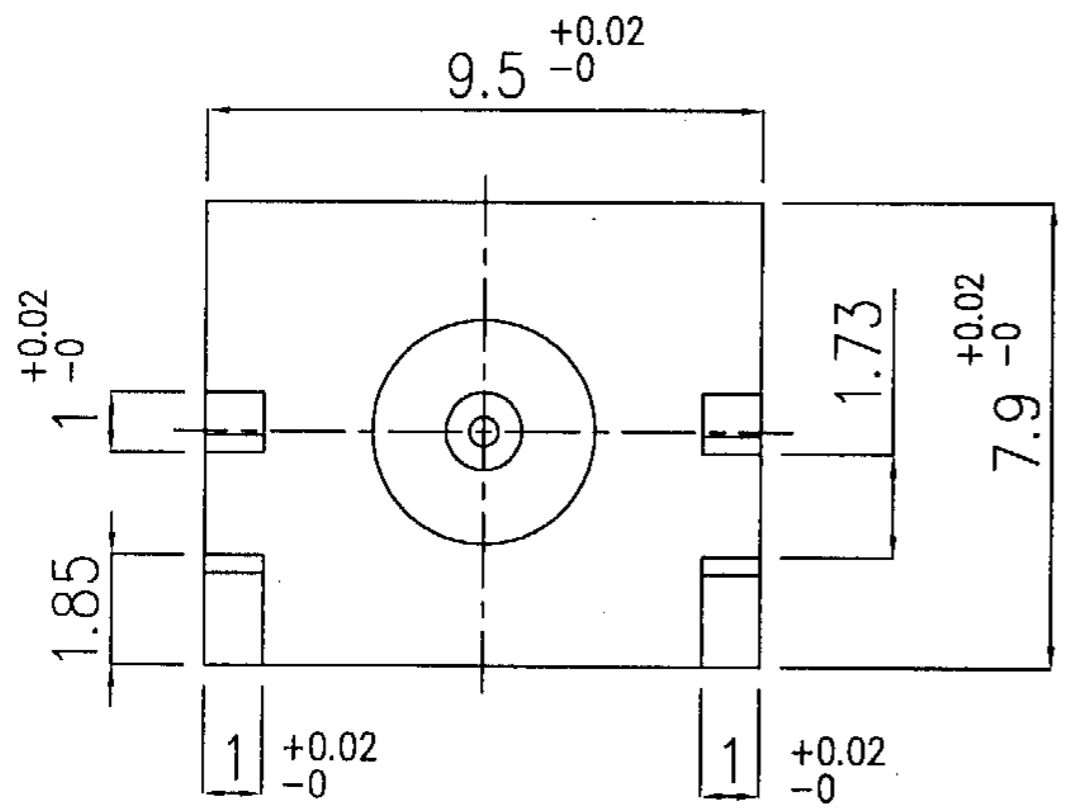
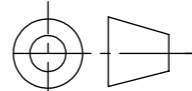


REVISION	INDEX	PREVIOUS VALUE	NEW VALUE	APPROVED	DATE



NO	DESCRIPTION	Q'TY	ITEM NO.	MATERIAL	PLATING
1	BODY	1	S-P2152-7A-ROHS	BRASS	GOLD 3-5 μ" MIN.
2	DIELECTRIC	1	T-040012	TEFLON	-
3	CENTER PIN	1	S-P2152	BERYLLIUM COOPER	GOLD 3-5 μ" MIN.

ISO 2768-mK

THE INFORMATION CONTAINED IN THIS DRAWING IS THE SOLE PROPERTY OF ZJ SRO.		DO NOT SCALE DRAWING	REVISION
 DEBUR AND BREAK SHARP EDGES	AUTHOR	B.Pangrac	
	DATE	10.4.2013	
CHECKED BY			
APPROVED			
MATERIAL:			
FINISH:			
WEIGHT:	g		
TITLE:		SMA Female end Launch Receptacle, Gold	
DWG NO.		SMA PCMT	REVISION
			A3
SCALE:		SHEET 1 of 1	
UNLESS OTHERWISE SPECIFIED: DIMENSIONS ARE IN MILLIMETERS			