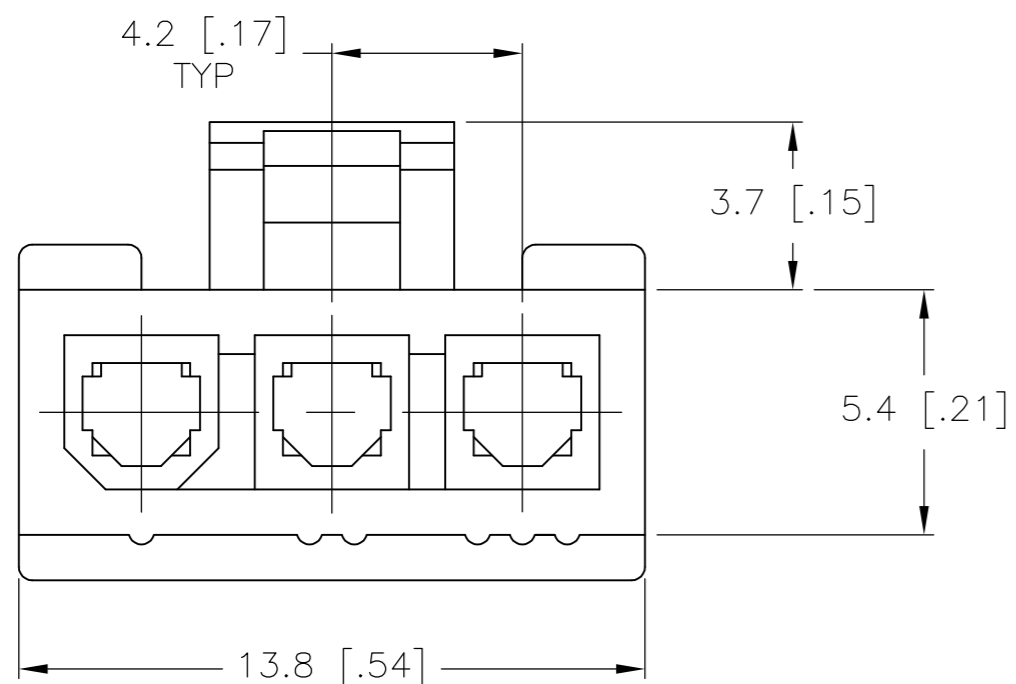
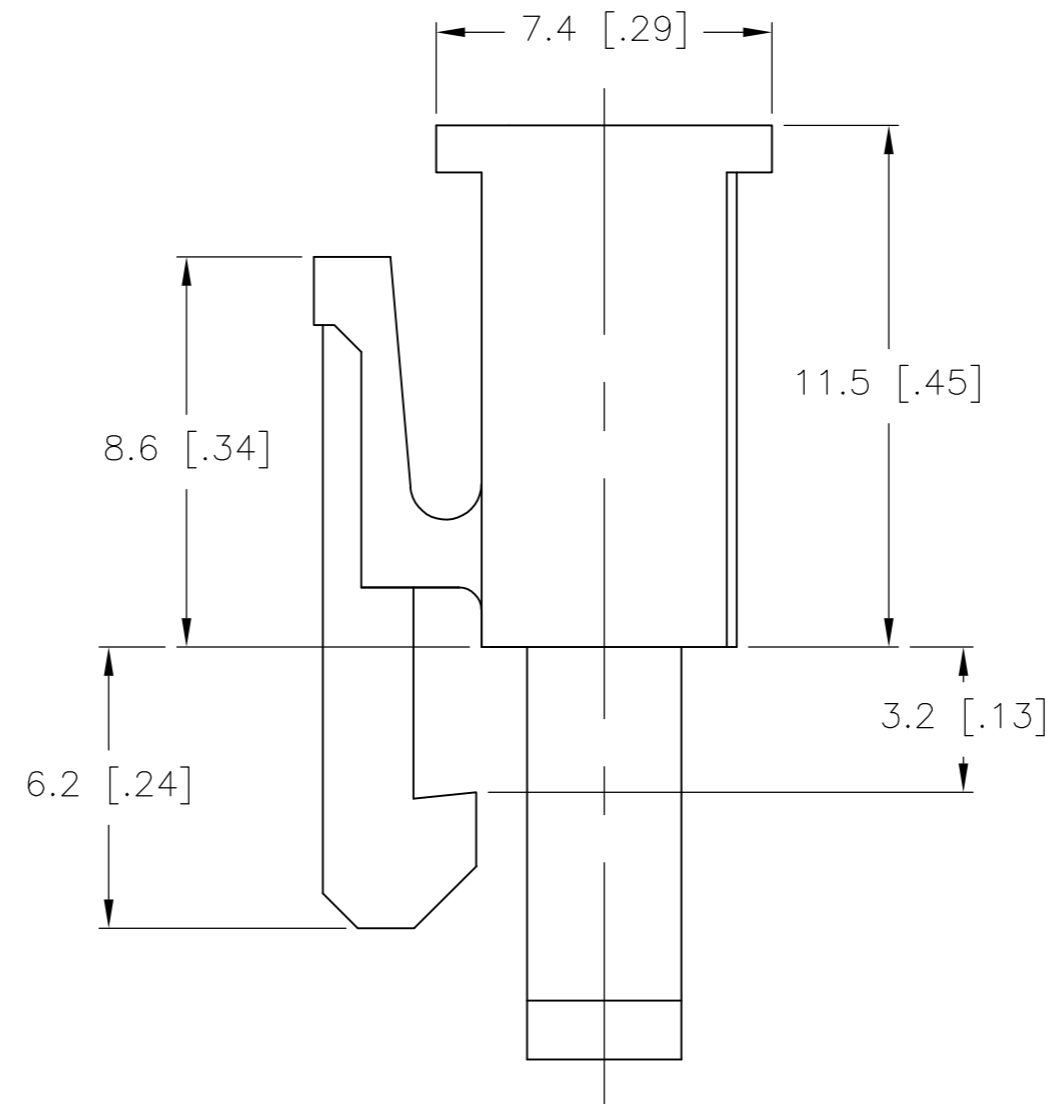
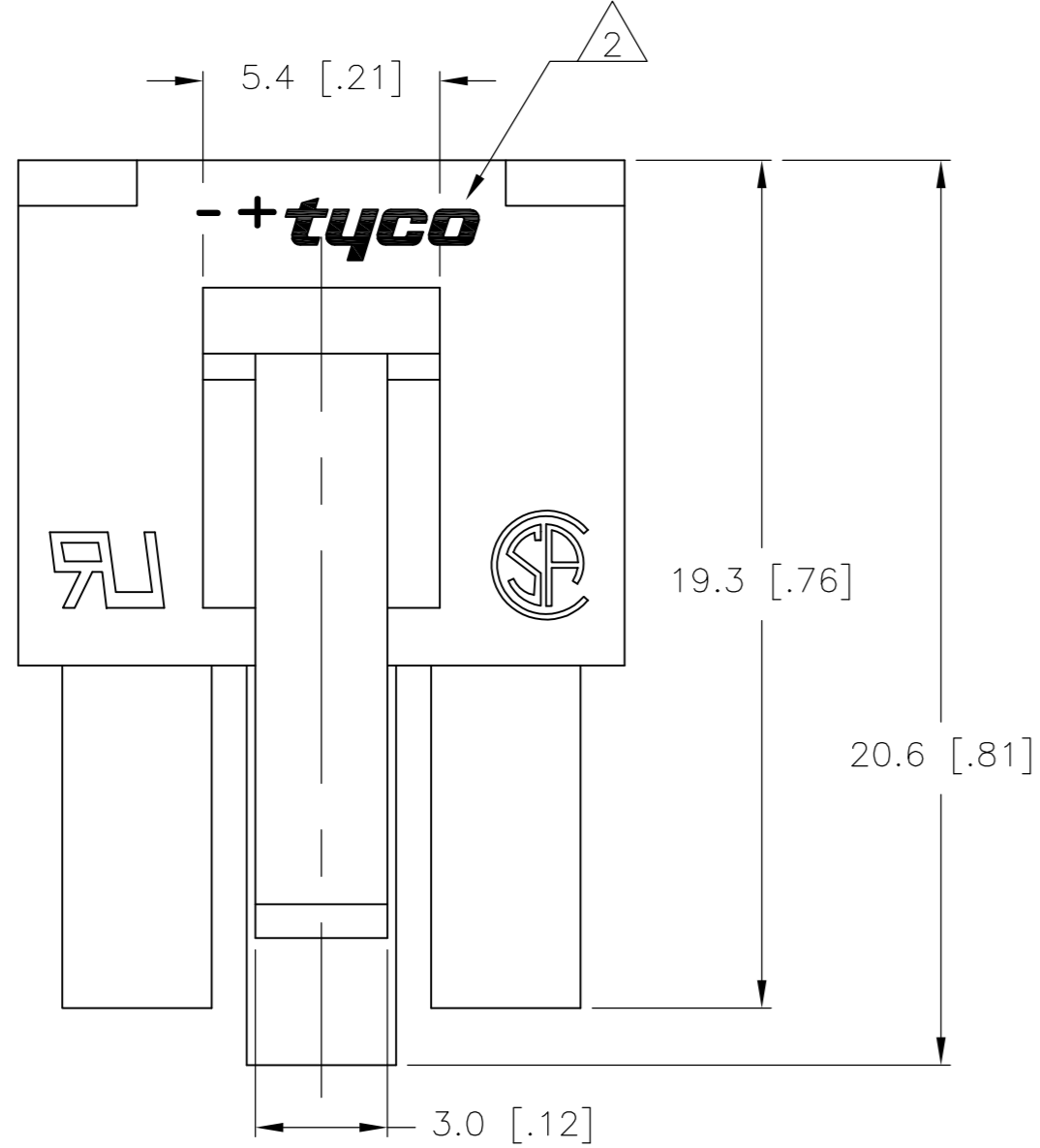
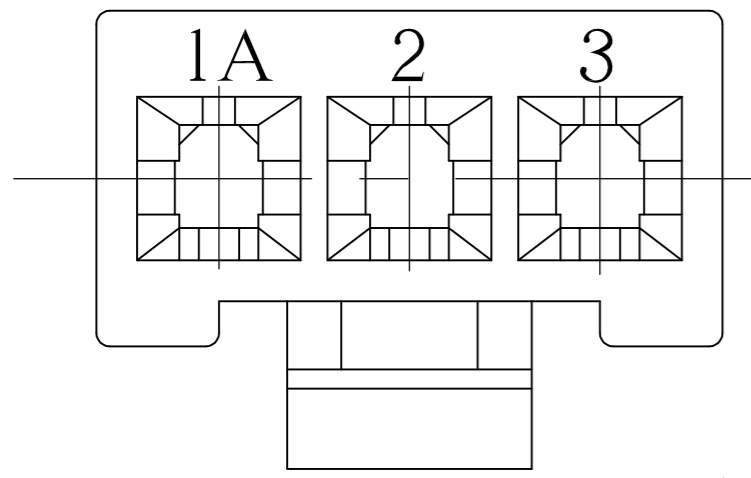


THIS DRAWING IS UNPUBLISHED. RELEASED FOR PUBLICATION
 © COPYRIGHT BY TYCO ELECTRONICS CORPORATION. ALL RIGHTS RESERVED.

LOC	DIST	REVISIONS			
P	LTR	DESCRIPTION	DATE	DWN	APVD
CM	00	B	REVISED PER ECO-08-032266	05JAN08	HMR CC

- 1 MATERIAL: NYLON UL94V-2, NATURAL.
- 2 TE LOGO, UL AND CSA LOGO SIZE, LOCATION AND ORIENTATION OPTIONAL.



1586105-3
 PART NUMBER

THIS DRAWING IS A CONTROLLED DOCUMENT.		DWN S. HOOVER 23-FEB-2004	Tyco Electronics Corporation Harrisburg, PA 17105-3608	
DIMENSIONS: mm [INCHES]		CHK D. COLEY 23-FEB-2004	NAME RECEPTACLE, 3 CIRCUIT, V2 VAL-U-LOK(TM)	
TOLERANCES UNLESS OTHERWISE SPECIFIED: 0 PLC ± 1 PLC ± 0.2 [00] 2 PLC ± 3 PLC ± 4 PLC ± ANGLES ± FINISH		APVD D. COLEY 23-FEB-2004	PRODUCT SPEC	
MATERIAL NYLON 66 UL94V-2		APPLICATION SPEC	WEIGHT	RESTRICTED TO
		CUSTOMER DRAWING	SCALE 6:1	SHEET 1 of 1
			DRAWING NO A2 00779 C=1586105	REV B