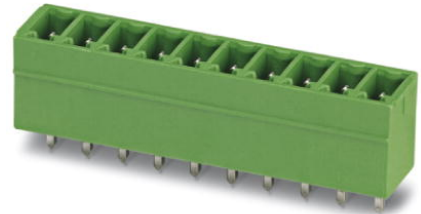


# MCV 1,5/16-G-3,81


Order No.: 1803565

The figure shows a 10-position version of the product



<http://eshop.phoenixcontact.sk/phoenix/treeViewClick.do?UID=1803565>

Header, Nominal current: 8 A, Rated voltage (III/2): 160 V, Number of positions: 16, Pitch: 3.81 mm, Color: green, Contact surface: Tin, Assembly: Soldering

Commercial data	
EAN	 4 017918 045876
Pack	1 pcs.
Customs tariff	85366990
Gross weight in pieces	0.0044 kg
Catalog page information	Page 226 (C-1-2013)

#### Product notes

WEEE/RoHS-compliant since:  
01.01.2003



Please note that the data given here has been taken from the online catalog. For comprehensive information and data, please refer to the user documentation at <http://www.download.phoenixcontact.com>. The General Terms and Conditions of Use apply to Internet downloads.

Technical data	
<b>Dimensions</b>	
Length	7.25 mm
Pitch	3.81 mm
Dimension a	57.15 mm
Pin dimensions	0,8 x 0,8 mm
Hole diameter	1.2 mm

**General**

Range of articles	MCV 1,5/...-G
Insulating material group	IIIa
Rated surge voltage (III/3)	2.5 kV
Rated surge voltage (III/2)	2.5 kV
Rated surge voltage (II/2)	2.5 kV
Rated voltage (III/3)	160 V
Rated voltage (III/2)	160 V
Rated voltage (II/2)	250 V
Connection in acc. with standard	EN-VDE
Nominal current I <sub>N</sub>	8 A
Maximum load current	8 A
Insulating material	PBT
Inflammability class according to UL 94	V0
Color	green
Number of positions	16

**Certificates**



Certification

CSA, cULus Recognized, GOST, VDE Gutachten mit  
 Fertigungsüberwachung, CCA, IECCEB CB Scheme

Certifications applied for:

Certification Ex:

**Accessories**

Item	Designation	Description
<b>Connector/Adapter</b>		
1734634	CP-MSTB	Coding profile, is inserted into the slot on the plug or inverted header, red insulating material

### Marking

1051993	B-STIFT	Marker pen, for manual labeling of unprinted Zack strips, smear-proof and waterproof, line thickness 0.5 mm
0804109	SK 3,81/2,8:FORTL.ZAHLEN	Marker cards, Card, white, labeled, Horizontal: Consecutive numbers 1 - 10, 11 - 20, etc. up to 91 - (99)100, Mounting type: Adhesive, for terminal block width: 3.81 mm, Lettering field: 3.81 x 2.8 mm
0805056	SK 3,81/2,8:SO	Marker cards, white, Mounting type: Adhesive, for terminal block width: 3.81 mm

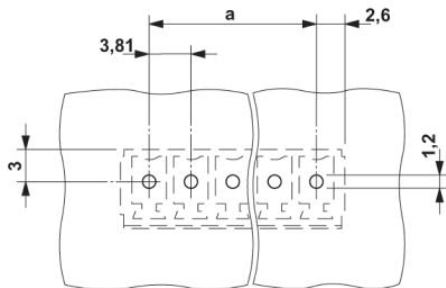
### Additional products

Item	Designation	Description
<b>General</b>		
1851180	FK-MCP 1,5/16-ST-3,81	Plug component, Nominal current: 8 A, Rated voltage (III/2): 160 V, Number of positions: 16, Pitch: 3.81 mm, Connection method: Spring-cage connection, Color: green, Contact surface: Tin
1850806	FRONT-MC 1,5/16-ST-3,81	Plug component, Nominal current: 8 A, Rated voltage (III/2): 160 V, Number of positions: 16, Pitch: 3.81 mm, Connection method: Screw connection, Color: green, Contact surface: Tin
1862713	IMC 1,5/16-G-3,81	Header, Nominal current: 8 A, Rated voltage (III/2): 160 V, Number of positions: 16, Pitch: 3.81 mm, Color: green, Contact surface: Tin, Assembly: Soldering
1875564	IMCV 1,5/16-G-3,81	Header, Nominal current: 8 A, Rated voltage (III/2): 160 V, Number of positions: 16, Pitch: 3.81 mm, Color: green, Contact surface: Tin, Assembly: Soldering
1803714	MC 1,5/16-ST-3,81	Plug component, Nominal current: 8 A, Rated voltage (III/2): 160 V, Number of positions: 16, Pitch: 3.81 mm, Connection method: Screw connection, Color: green, Contact surface: Tin
1852312	MCC 1/16-STZ-3,81	Plug component, Nominal current: 8 A, Rated voltage (III/2): 160 V, Number of positions: 16, Pitch: 3.81 mm, Connection method: Crimp connection, Color: green, Corresponding female crimp contacts with current [A] and conductor cross section range [mm <sup>2</sup> ] data: 5A/MCC-MT 0,2-0,35 (1859988); 8A/MCC-MT 0,5-1,0 (1859991)
1827266	MCVR 1,5/16-ST-3,81	Plug component, Nominal current: 8 A, Rated voltage (III/2): 160 V, Number of positions: 16, Pitch: 3.81 mm, Connection method: Screw connection, Color: green, Contact surface: Tin
1827114	MCVW 1,5/16-ST-3,81	Plug component, Nominal current: 8 A, Rated voltage (III/2): 160 V, Number of positions: 16, Pitch: 3.81 mm, Connection method: Screw connection, Color: green, Contact surface: Tin
1897539	QC 0,5/16-ST-3,81	Plug component, Nominal current: 6 A, Rated voltage (III/2): 200 V, Number of positions: 16, Pitch: 3.81 mm, Connection method: Insulation displacement connection QUICKON, Color: green, Contact surface: Tin

## Drawings

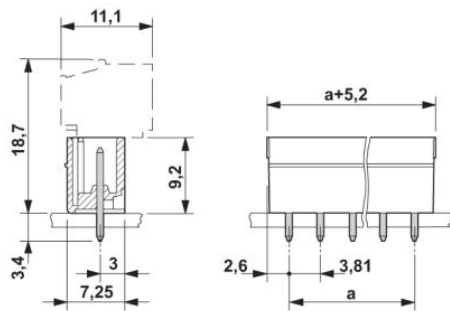
### Drilling plan/solder pad geometry

---



### Dimensioned drawing

---



**Address**

PHOENIX CONTACT, s.r.o.  
Mokráň záhon 4  
821 04 Bratislava, Slovakia  
Phone +420 542 213 401  
Fax +421 2 3210 1479  
<http://www.phoenixcontact.sk>

© 2014 Phoenix Contact  
Technical modifications reserved;