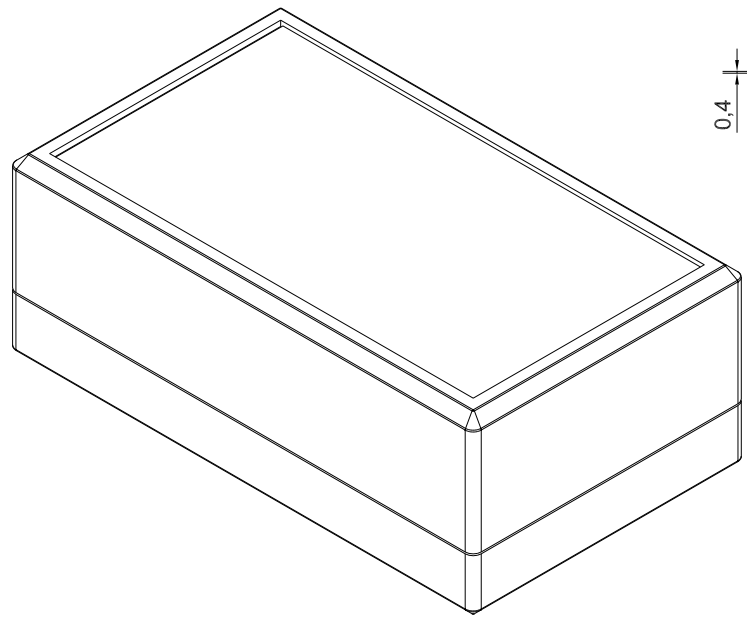
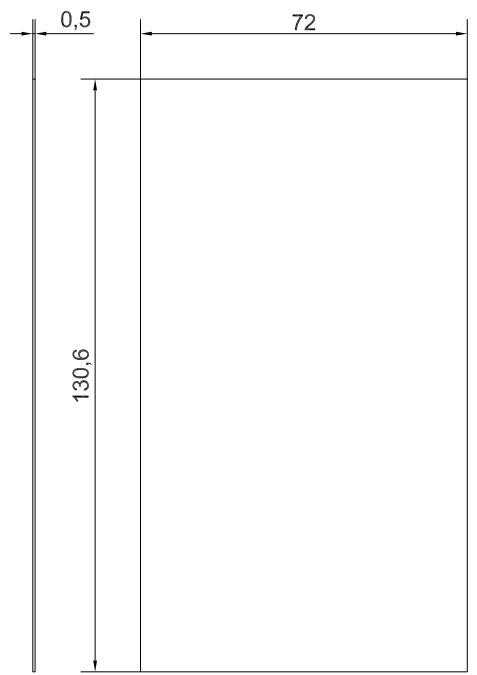
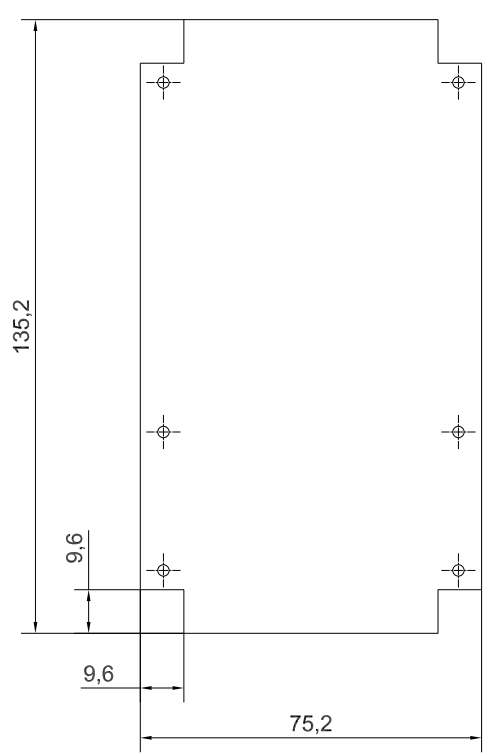


PCB MAX SIZE



	Denomination	Assembly 760		Part Number	760
	Subject to technical modification without prior notice. Tipographical and other errors do not justify any claim for damages. All dimensions should be verified using an actual moulded part.				
	Date	29/08/2008	Scale	1:1	Format design
	This document contains proprietary information of TEKO S.p.a. and is tendered subject to the conditions that the information be retained in confidence not be reproduced or copied and not be used or incorporated in any product.		Date	29/08/2008	A2