

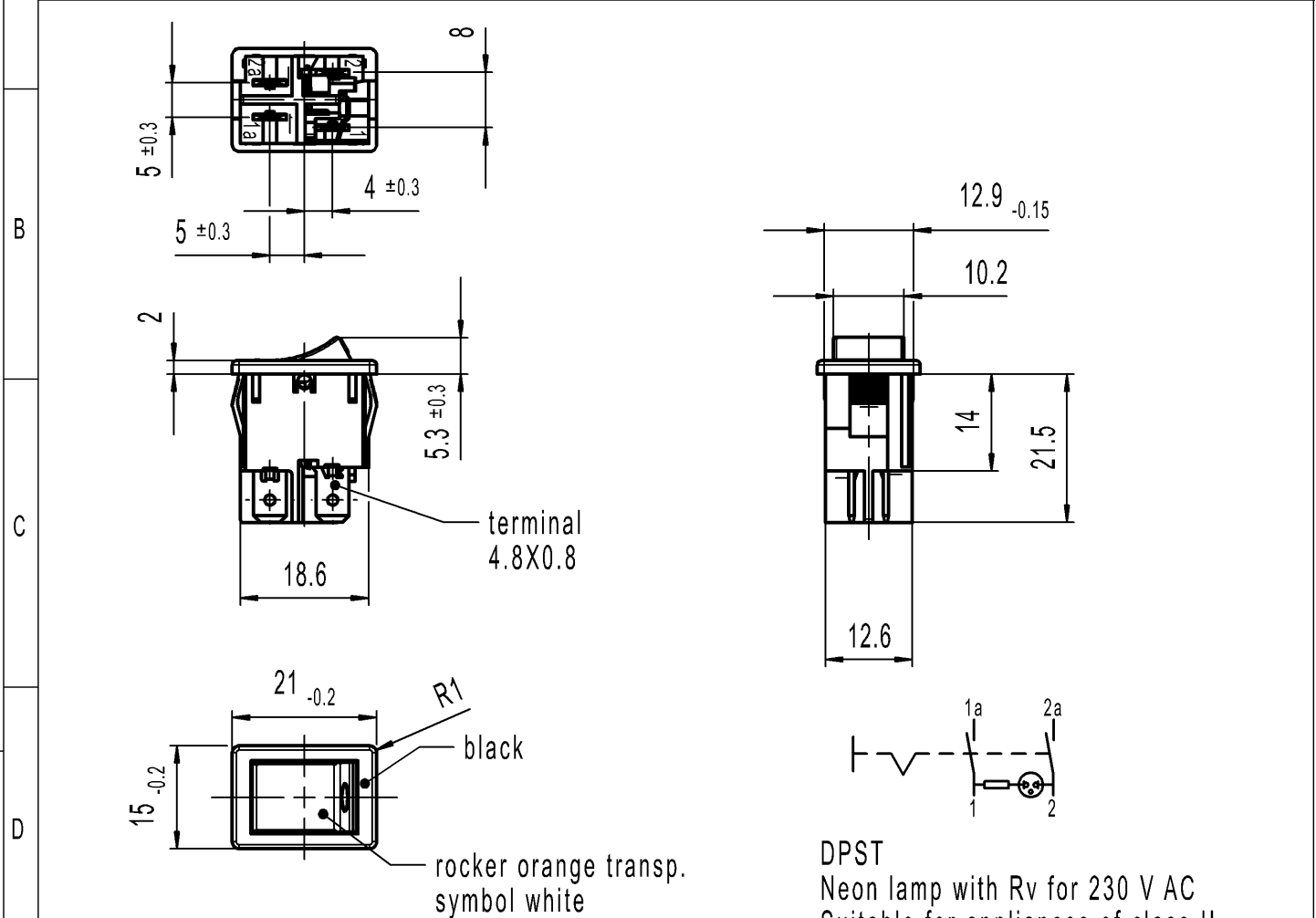
THIS DRAWING IS THE EXCLUSIVE PROPERTY OF MARQUARDT. WITHOUT THEIR CONSENT IT MAY NOT BE REPRODUCED OR GIVEN TO THIRD PARTIES.

CONFIDENTIAL

VERTRAULICH

Alle Rechte bei Marquardt, auch fuer den Fall von Schutzrechtsanmeldungen. Jede Veruegungsbefugnis, wie Kopier- und Weitergaberecht, bei uns.

A	recommended cut-out for snap-in fixing (edge opposite to snap-in direction)	1	2	3	4
			wall thickness	length of cut-out	width of cut-out
		0.75 to 1.25	19.2 -0.1	12.9+0.1	
		1.25 to 2	19.4 -0.1	12.9+0.1	
		2 to 3	19.8 -0.1	12.9+0.1	



terminal 4.8X0.8

DPST  
Neon lamp with Rv for 230 V AC  
Suitable for appliances of class II

Marking  
 1855.  
 4(1)/250~T85/55      4A 250V AC  
    1/10 HP  
 R69

Code of manufacture: place/year/month

-	-	-	1855.1104-XX
Figure	Type	Customer Part No.	Art.No.-PI
Shape and location	Angle ± 2 °	Sheet 01	Ident. K
	Edge tolerance	Format DIN A4	Document number 18551104
	Length	Projection	Index i
	Radii	Scale 1:1	Appliance Switch
		All dimensions are in millimetres	
i	141197	System NX V1899	
h	66876	Replacement of	
g	63303	Zg.gl.Nr.v.29.06.1993	
f	27320		
Index	MEC-No.	Date (YYYY-MM-DD)	Edited by