

ST-6EP1N8A6100S - Device connector front mounting



1613553

<https://www.phoenixcontact.com/pc/products/1613553>

Please be informed that the data shown in this PDF document is generated from our online catalog. Please find the complete data in the user documentation. Our general terms of use for downloads are valid.



Device connector front mounting, straight, for standard and SPEEDCON interlock, M17, number of positions: 6+PE, contact connection type: Pin, Axial O-ring, Central fixing, shielded: yes, degree of protection: IP67, number of positions: 7, connection method: Crimp connection, series: ST, Alternative product in accordance with RoHS II without Exemption 6c (Pb < 0.1 %) item no.: 1242778

Your advantages

- Application-specific wall mounting optionally with thread or anti-rotation protection and lock nut
- Consistent EMC protection for reliable connection solutions in the industrial environment
- Crimping connection: vibration- and temperature-resistant assembly

Commercial data

Item number	1613553
Packing unit	1 pc
Minimum order quantity	1 pc
Product key	ABRBEL
Catalog page	Page 139 (C-2-2019)
GTIN	4046356401036
Weight per piece (including packing)	33.8 g
Weight per piece (excluding packing)	19.11 g
Customs tariff number	85366990
Country of origin	DE

Technical data

Notes

Order information:	Order crimp contacts Ø 1 mm separately
Safety note	
Safety note	<p>WARNING: The connectors may not be plugged in or disconnected under load. Ignoring the warning or improper use may damage persons and/or property.</p> <ul style="list-style-type: none"> • WARNING: Commission properly functioning products only. The products must be regularly inspected for damage. Decommission defective products immediately. Replace damaged products. Repairs are not possible. • WARNING: Only electrically qualified personnel may install and operate the product. They must observe the following safety notes. The qualified personnel must be familiar with the basics of electrical engineering. They must be able to recognize and prevent danger. The relevant symbol on the packaging indicates that only personnel familiar with electrical engineering are allowed to install and operate the product. • The products are suitable for applications in plant, controller, and electrical device engineering. • When operating the connectors in outdoor applications, they must be separately protected against environmental influences. • Assembled products may not be manipulated or improperly opened. • Only use mating connectors that are specified in the technical data of the standards listed (e.g. the ones listed in the product accessories online at phoenixcontact.com/products). • When using the product in direct connection with third-party manufacturers, the user is responsible. • For operating voltages > 50 V AC, conductive connector housings must be grounded • Ensure that the protective or functional ground has been properly connected. • VDE 0100/1.97 § 411.1.3.2 and DIN EN 60 204/11.98 § 14.1.3 are applicable when combining several circuits in a cable and/or connector • Only use tools recommended by Phoenix Contact • The installation notes/Design In documents online on the download page at phoenixcontact.com/products must be observed for this product. • Operate the connector only when it is fully plugged in and interlocked. • Ensure that when laying the cable, the tensile load on the connectors does not exceed the upper limit specified in the standards. • Observe the minimum bending radius of the cable. Lay the cable without twisting it. • The connector warms up in normal operation. Depending on the ambient conditions, the surface of the connector can continue to warm up. In this case, the user is responsible for posting

ST-6EP1N8A6100S - Device connector front mounting



1613553

<https://www.phoenixcontact.com/pc/products/1613553>

warnings (e.g. DIN EN ISO 13732-1:2008-12).

Mounting

Mounting type	Front mounting
Mounting	Central fixing

Product properties

Product type	Circular connectors (device side)
Series	ST
Application	Power
Number of positions	7
Connection profile	6+PE
Shielded	yes
Coding	N
Thread type	M17

Data management status

Article revision	07
------------------	----

Material specifications

Seal material	FPM
---------------	-----

Electrical properties

Contact

Contact diameter	1 mm
Max. current	14 A
Nominal voltage U_N	630 V
Overvoltage category	III
Degree of pollution	3
Rated surge voltage	6 kV

Contact

Contact diameter	1 mm
------------------	------

Connection data

Conductor connection

Connection method	Crimp connection
Contact connection type	Pin

Connector

Type	straight
Direction of rotation	Standard

Environmental and real-life conditions

ST-6EP1N8A6100S - Device connector front mounting



1613553

<https://www.phoenixcontact.com/pc/products/1613553>

Ambient conditions

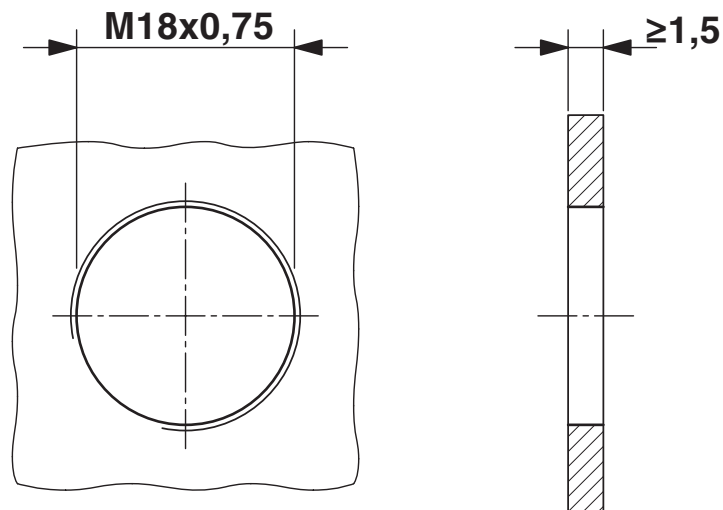
Degree of protection	IP67
Ambient temperature (operation)	-40 °C ... 125 °C
Ambient temperature (storage/transport)	15 °C ... 25 °C
Altitude	3000 m
Permissible humidity (storage/transport)	50 % ... 65 %

1613553

<https://www.phoenixcontact.com/pc/products/1613553>

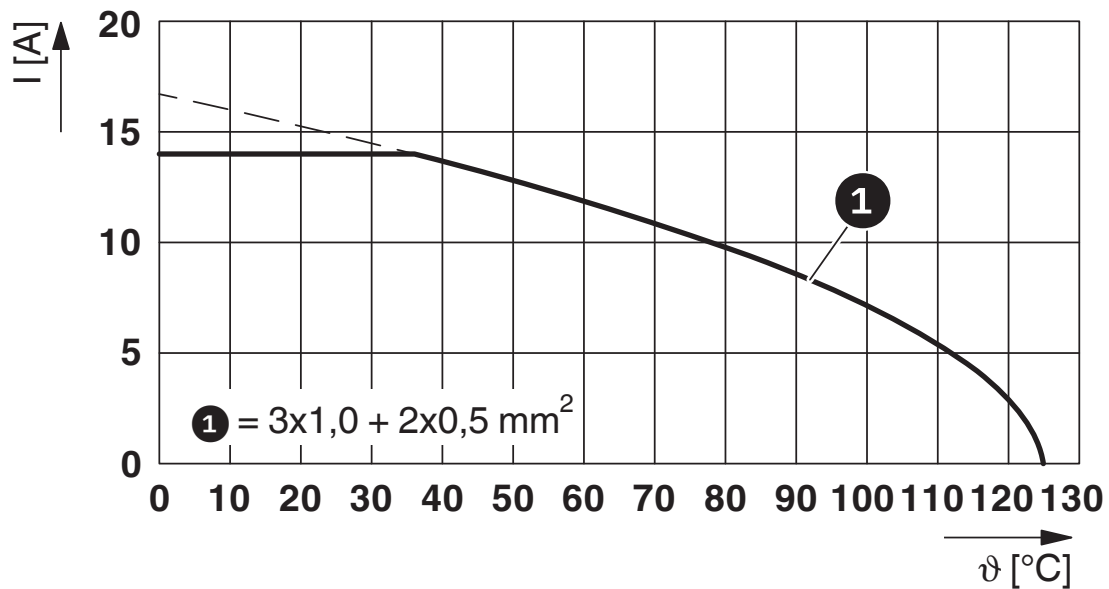
Drawings

Dimensional drawing



Installation dimensions: mounting with thread

Diagram



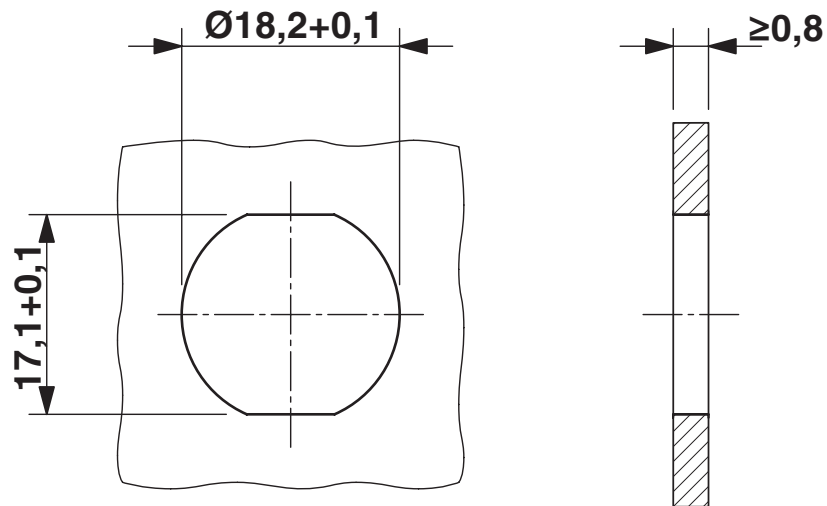
I = current strength, ϑ = ambient temperature, 3x 14 A + 2x 2 A constant

ST-6EP1N8A6100S - Device connector front mounting

1613553

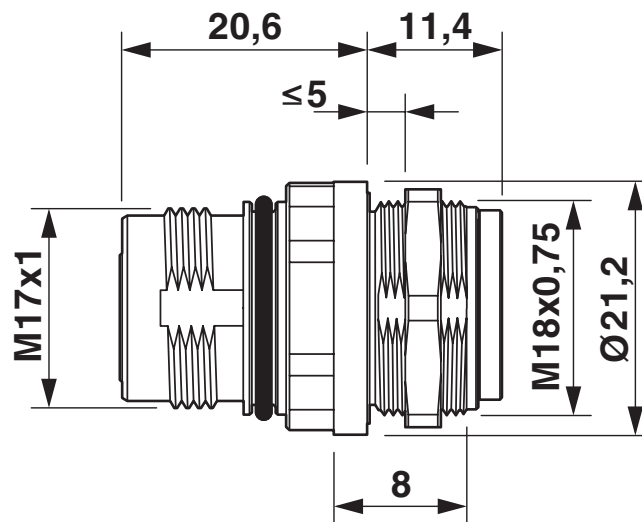
<https://www.phoenixcontact.com/pc/products/1613553>

Dimensional drawing



Installation dimensions: mounting with anti-rotation protection and locking nut

Dimensional drawing



Dimensional drawing

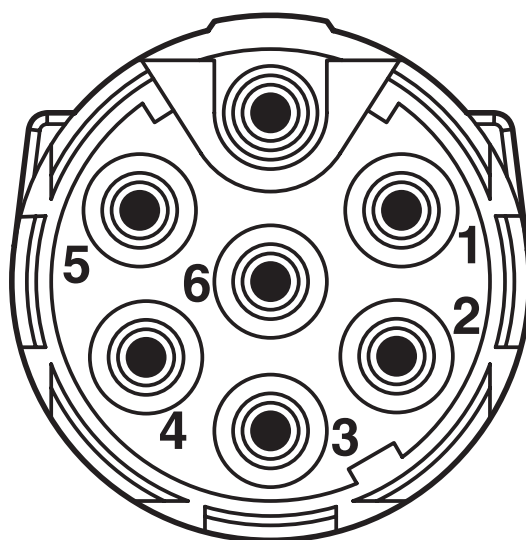
ST-6EP1N8A6100S - Device connector front mounting



1613553

<https://www.phoenixcontact.com/pc/products/1613553>

Schematic diagram



Connector pin assignment

ST-6EP1N8A6100S - Device connector front mounting





1613553


<https://www.phoenixcontact.com/pc/products/1613553>


Approvals

To download certificates, visit the product detail page: <https://www.phoenixcontact.com/pc/products/1613553>


 cUL Listed Approval ID: E468743-20210825				
	Nominal voltage U_N	Nominal current I_N	Cross section AWG	Cross section mm^2
Use group keine				
Power	600 V	8 A	18 - 18	-
Signal	60 V	2 A	19 - 18	-

 cUL Recognized Approval ID: E335019-20111129				
--	--	--	--	--

 UL Recognized Approval ID: E335019-20111129				
--	--	--	--	--

 UL Listed Approval ID: E468743-20210825				
	Nominal voltage U_N	Nominal current I_N	Cross section AWG	Cross section mm^2
Use group keine				
Power	600 V	10 A	-	18 - 18
Signal	60 V	2 A	-	19 - 18

 UL Recognized Approval ID: E153698-20140124				
---	--	--	--	--

 cUL Recognized Approval ID: E153698-20140124				
--	--	--	--	--

cULus Listed				
---------------------	--	--	--	--

ST-6EP1N8A6100S - Device connector front mounting



1613553

<https://www.phoenixcontact.com/pc/products/1613553>

Classifications

ECLASS

ECLASS-11.0	27440102
ECLASS-12.0	27440116
ECLASS-13.0	27440116

ETIM

ETIM 9.0	EC002635
----------	----------

UNSPSC

UNSPSC 21.0	39121400
-------------	----------

1613553

<https://www.phoenixcontact.com/pc/products/1613553>

Environmental product compliance

EU RoHS

Fulfills EU RoHS substance requirements	Yes
Exemption	6(c)

China RoHS

Environment friendly use period (EFUP)	EFUP-50
	An article-related China RoHS declaration table can be found in the download area for the respective article under "Manufacturer declaration". For all articles with EFUP-E, no China RoHS declaration table issued and required.

EU REACH SVHC

REACH candidate substance (CAS No.)	Lead(CAS: 7439-92-1)
SCIP	fc139669-4482-425e-8c68-27b01fb9b7a7

ST-6EP1N8A6100S - Device connector front mounting



1613553

<https://www.phoenixcontact.com/pc/products/1613553>

Accessories

ST-10KP010 - Crimp contact

1618255

<https://www.phoenixcontact.com/pc/products/1618255>



Crimp contact, Pin, turned, Single contact, contact diameter: 1 mm, crimp range: 0.06 mm² ... 0.25 mm², Alternative product in accordance with RoHS II without Exemption 6c (Pb < 0.1 %) item no.: 1243215

ST-10KP035 - Crimp contact

1618458

<https://www.phoenixcontact.com/pc/products/1618458>



Crimp contact, Pin, turned, contact diameter: 1 mm, crimp range: 0.25 mm² ... 1 mm², Alternative product in accordance with RoHS II without Exemption 6c (Pb < 0.1 %) item no.: 1243215

ST-6EP1N8A6100S - Device connector front mounting



1613553

<https://www.phoenixcontact.com/pc/products/1613553>

ST-Z0019 - Color coding

1620621

<https://www.phoenixcontact.com/pc/products/1620621>

Color coding, color: green



ST-Z0020 - Color coding

1620622

<https://www.phoenixcontact.com/pc/products/1620622>

Color coding, color: orange



ST-6EP1N8A6100S - Device connector front mounting



1613553

<https://www.phoenixcontact.com/pc/products/1613553>

ST-Z0021 - Color coding

1620623

<https://www.phoenixcontact.com/pc/products/1620623>

Color coding, color: black



ST-E2015151 - Flat nut

1613831

<https://www.phoenixcontact.com/pc/products/1613831>

Flat nut, Screw mounting, M18 x 0,75, series: ST, Alternative product in accordance with RoHS II without Exemption 6c (Pb < 0.1 %) item no.: 1242824



ST-6EP1N8A6100S - Device connector front mounting



1613553

<https://www.phoenixcontact.com/pc/products/1613553>

ST-Z0001 - Contact removal tool

1607770

<https://www.phoenixcontact.com/pc/products/1607770>



Unlocking tool for contact carriers for snapping in the M17 device connectors

ST-Z0014 - Metal protective cap

1616069

<https://www.phoenixcontact.com/pc/products/1616069>



Metal protective cap, M17, degree of protection: IP67, series: ST, Alternative product in accordance with RoHS II without Exemption 6c (Pb < 0.1 %) item no.: 1243010

ST-6EP1N8A6100S - Device connector front mounting



1613553

<https://www.phoenixcontact.com/pc/products/1613553>

ST-Z0013 - Metal protective cap

1616068

<https://www.phoenixcontact.com/pc/products/1616068>

Metal protective cap, M17, degree of protection: IP67, series: ST, Alternative product in accordance with RoHS II without Exemption 6c (Pb < 0.1 %) item no.: 1243009



PROT-M17PRO-OT-IP20 - Plastic protective cap

1055708

<https://www.phoenixcontact.com/pc/products/1055708>

Plastic protective cap, M17, degree of protection: IP20, series: M17 PRO



Phoenix Contact 2024 © - all rights reserved
<https://www.phoenixcontact.com>

PHOENIX CONTACT GmbH & Co. KG
Flachsmarktstraße 8
D-32825 Blomberg
+49 (0) 5235-3 00
info@phoenixcontact.com