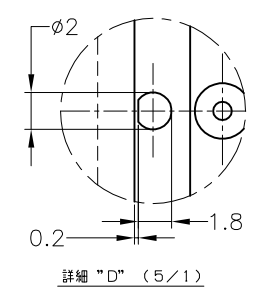
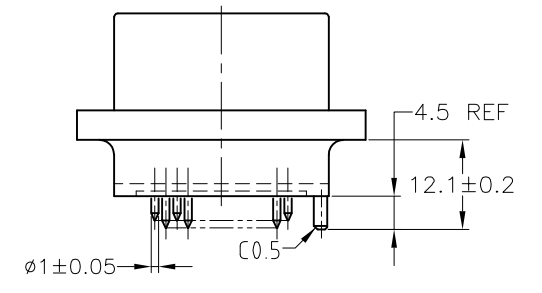
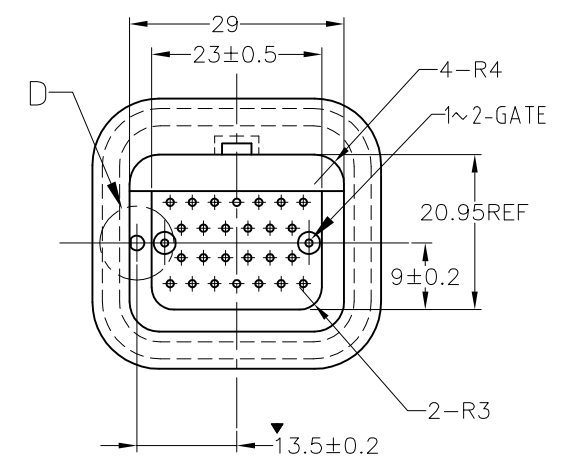
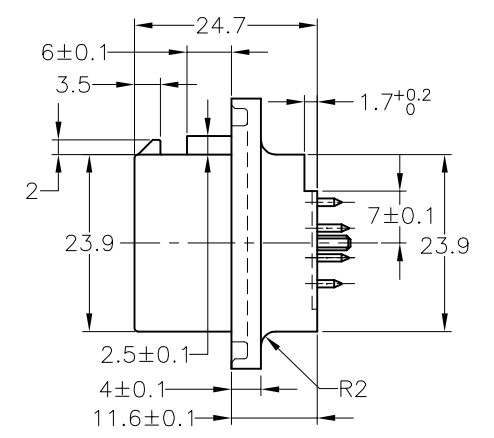
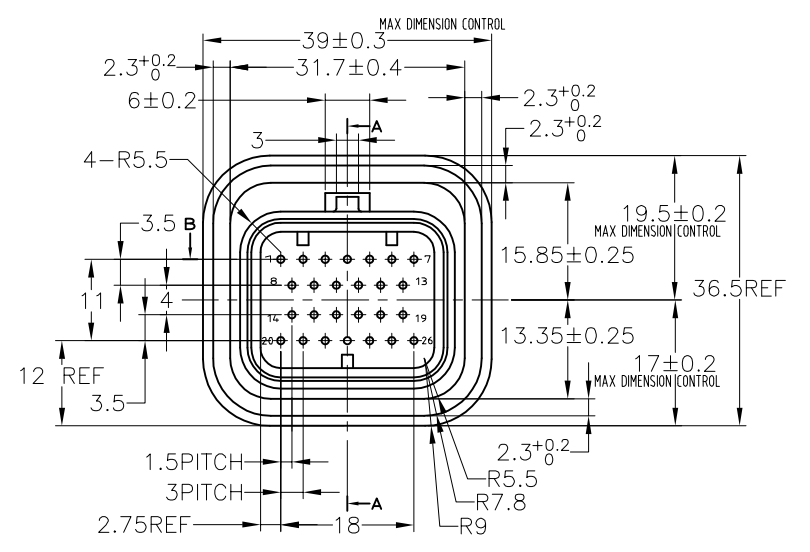
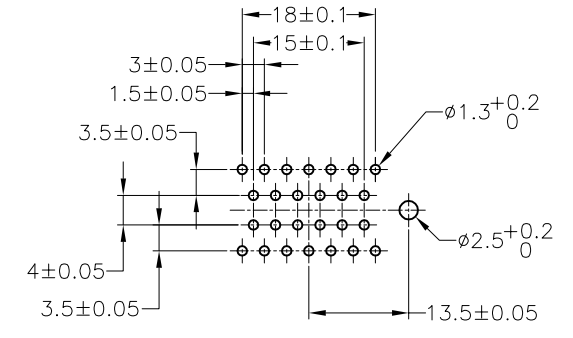
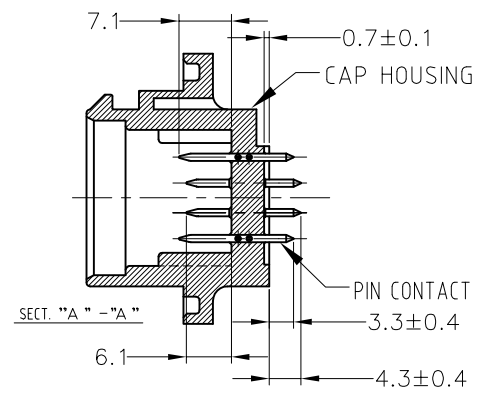
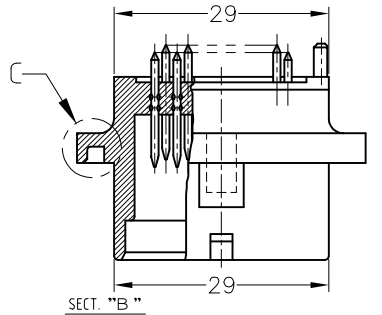
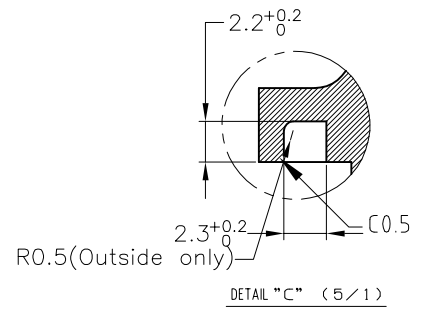


LOC		DIST		REVISIONS				
J		-		REV	DESCRIPTION	DATE	DRW	APPD
A2	REVISED	ECR-15-008111	01JUN2015	TS	KB			

(RECOMMENDED P.C.BORD DIMENSION, TOLERANCE±0.1)
 プリント基板推奨ホールパターン、公差±0.1



NOTES, 1.GENERAL TOLERANCE : ± 0.3
 DRAFT ANGLE : ± 1 MAX*
 ALL UNSPECIFIED RADII : R0.5
 ALL UNSPECIFIED THICKNESS : 15
 2.MATERIAL
 CAP HOUSING : THERMOPLASTIC POLYESTER
 PIN CONTACT : BRSS
 3.CRITICAL DIMENSIONS:▼

SEE DWG	SEE DWG	SEE DWG	SELECTIVE-TIN (MATTE)	SELECTIVE GOLD × 26	PART NUMBER
SEE DWG 1473418	SEE DWG 1473418	-	SELECTIVE-TIN (MATTE)	SELECTIVE GOLD × 26	6473418-2
SEE DWG 1473418	SEE DWG 1473418	-	SELECTIVE-TIN (MATTE)	SELECTIVE GOLD × 26	6473418-1
3-1437290-7	-	-	SELECTIVE-TIN (MATTE)	SELECTIVE GOLD × 26	6437288-6
OBSOLETE	SEE DWG 1473418	SEE DWG 1473418	TIN-LEAD	SELECTIVE GOLD × 26	1473418-2
OBSOLETE	SEE DWG 1473418	SEE DWG 1473418	TIN-LEAD	SELECTIVE GOLD × 26	1473418-1
OBSOLETE	3-1437290-7	-	TIN-LEAD	SELECTIVE GOLD × 26	1437288-6
MATING PLUG ASSEMBLY 嵌合相手	REMARKS 備考	OLD PART NUMBER 旧型番	CONTACT FINISH 半田付け側	CONTACT SEDE 接触部側	PART NUMBER 型番
			CONTACT FINISH コンタクト仕上		

THIS DRAWING IS A CONTROLLED DOCUMENT.

DIMENSIONS: 単位: 寸 mm	TOLERANCES UNLESS OTHERWISE SPECIFIED: 一般公差	0 PLC ± 1 PLC ± 2 PLC ± 3 PLC ± 4 PLC ± ANGLES ±	CHK A. YAMAGUCHI K. BETSUI	24SEP02 24SEP02	NAME K. BETSUI
MATERIAL 材料	FINISH 仕上		APPRO K. BETSUI	24SEP02	PRODUCT SPEC 製品仕様 108-78140
			APPLICATION SPEC 動作運用仕様		SIZE A1
			WEIGHT		CAGE CODE 1437288-6
					DRAWING NO 1437288-6
					RESTRICTED TO
					CUSTOMER DRAWING
					SCALE 尺数 2:1
					SHEET 1 of 1
					REV A2

TE Connectivity
 WATER SEALED CONNECTOR
 CAP HOUSING 26POS ASSEMBLY