

**JBC C245967**

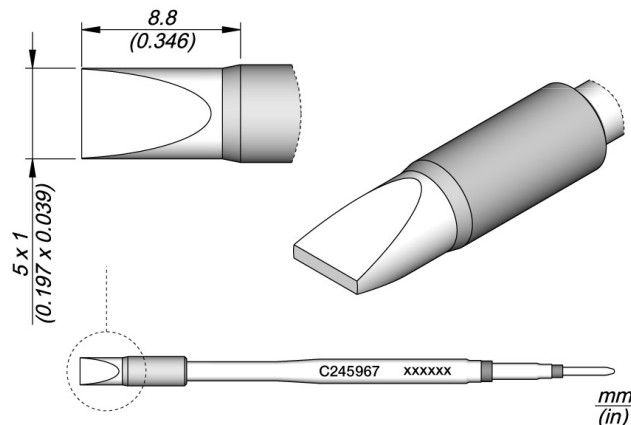
## Chisel Cartridge 5 x 1 HT

High thermal cartridges have geometrically optimized tips to achieve thermal efficiencies of up to 40%.

C245 Cartridges are appropriate for general soldering purposes and work with T245 Handpieces.

JBC Long Life Tips offer instant heat up, excellent heat transfer and great durability.

They last 5 times longer than other brands thanks to the JBC Most Efficient Soldering System and the Sleep & Hibernation features.



### REFERENCE

**C245967**

### SPECIFICATIONS

**Net weight** 0,008 kg (0.02lb)**WEIGHT AND DIMENSIONS**

8 gr (0.02 lb)

21 gr (0.05 lb)

110 x 12 x 12 mm

Copyright © 2024 JBC Soldering S.L. | [Legal Notice](#) | [Privacy Policy](#) | [Terms and Conditions](#) | [Cookie policy](#) | [Internal Communication](#) | [RSS Feed](#) | [JBC Store](#) | [Contact Us](#)

## CONNECTABLES

### Compatible tools



T245-A

General Purpose Handle



T245-PA

Blue Grip General Purpose Handle



T245-NA

Nitrogen General Purpose Handle

This website uses own and third-party technical, analysis and advertising cookies to anonymously facilitate browsing, customise the advertising and analyse website use statistics. We deem that by continuing to browse you accept their use.

[Learn more](#)

Manage Preferences

Reject All

Accept All