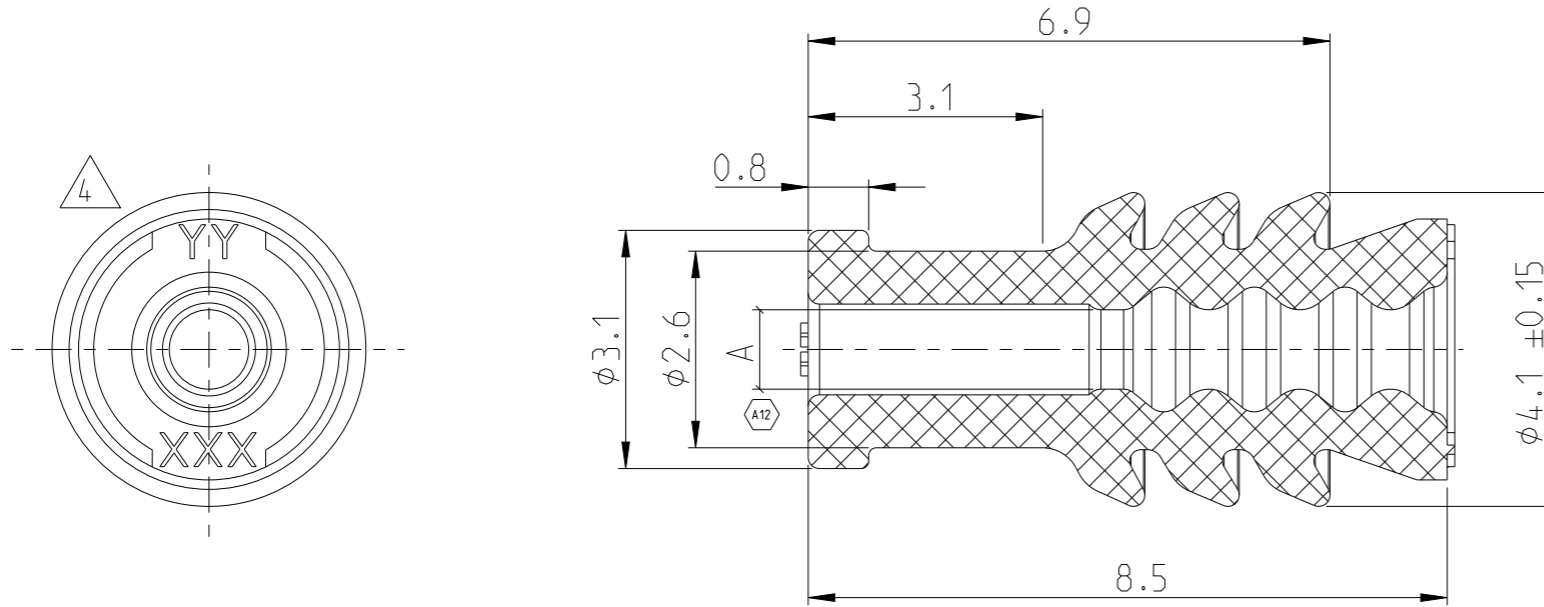
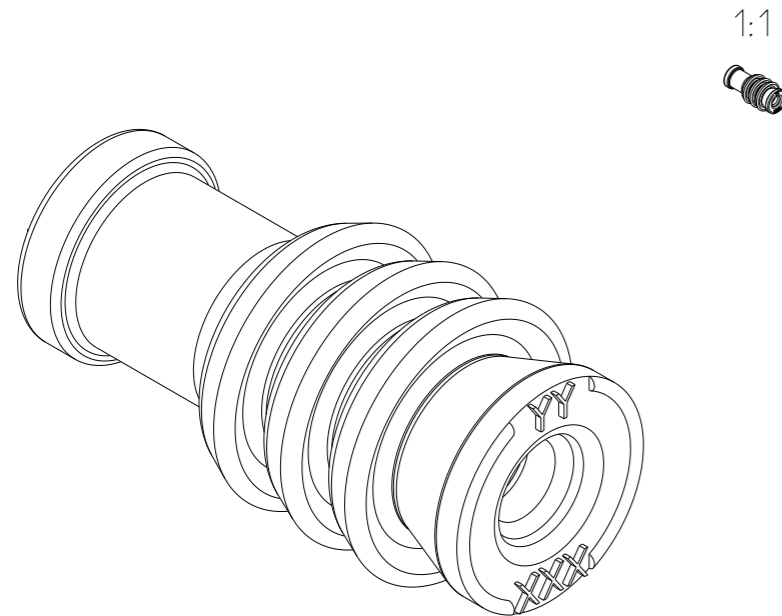


P	LTR	DESCRIPTION	DATE	DWN	APVD
A9		NEW DASH # 1-967067-1, TEMPERED	09JAN2012	MAH.	ABE.
A10		NEW PRO-E DRAWING	02FEB2012	MAH.	ABE.
A11		NEW CREO DRAWING	27APR2023	BV	GB
A12		DRAWING CORRECTION	09DEC2024	BV	GB



- 1 Suitable for Socket Contact for Single Wire Seal. SEE: 929454, 929419, 1241611
- 2 Suitable for Pin Contact for Single Wire Seal. SEE: 929453
- 3 Siloxane is minimized through Tempering Process.
- 4 XXX YY : Cavity markings.



Same as 967067-2	Same as 967067-2	5-967067-2	A	Same as 967067-2	Same as 967067-2	VMQ 50	-
Same as 967067-1	Same as 967067-1	5-967067-1	A	Same as 967067-1	Same as 967067-1		-
φ1.4 - 2.1	φ1.0±0.15	1-967067-1	A	Green	-	967067-1	3
φ0.9 - 1.4	φ0.6±0.15	967067-2	A	Yellow	0.07	VMQ 50	-
φ1.4 - 2.1	φ1.0±0.15	967067-1	A	Green	0.06		-
ISO-DIA	DIM "A"	ORDER No.	REV	COLOUR	WEIGHT	MATERIAL	HEAT TREAT

THIS DRAWING IS A CONTROLLED DOCUMENT.

DWN S. GARCIA 29JUL1999  
 CHK R. JETTER 28JUL1999  
 APVD -

NAME: Micro Quadlock System  
 SINGLE WIRE SEAL for cavity DIA 3.45mm

PRODUCT SPEC: 114-18025  
 APPLICATION SPEC: 108-18403  
 WEIGHT: TABLE

SIZE: A3 CAGE CODE: 00779 DRAWING NO: 967067 RESTRICTED TO: -

MATERIAL: SEE TABLE FINISH: -

CUSTOMER DRAWING SCALE: 10:1 SHEET: 1 OF 1 REV: A12