

4

3

2

1

THIS DRAWING IS UNPUBLISHED.

RELEASED FOR PUBLICATION

---

© COPYRIGHT - By -

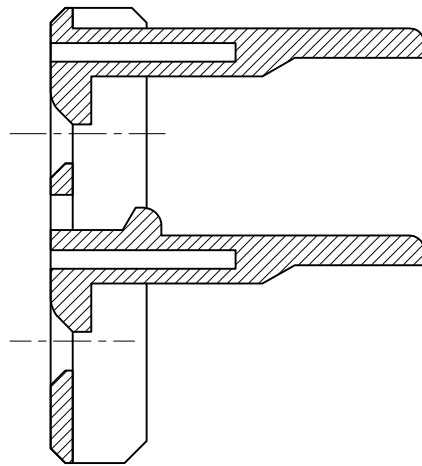
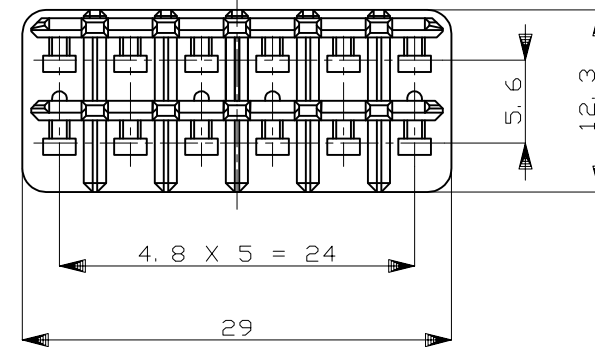
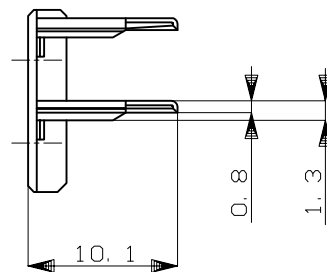
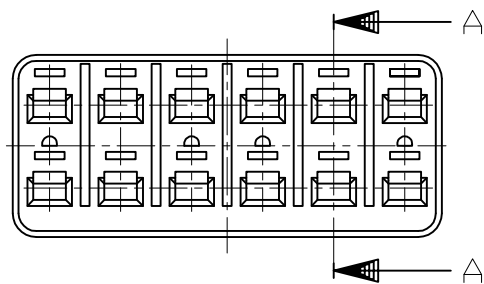
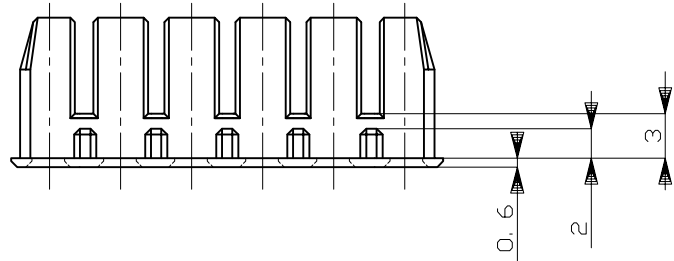
ALL RIGHTS RESERVED.

LOC

DIST

REVISIONS


P	LTR	DESCRIPTION	DATE	DWN	APVD
	B1	REVISED	27JAN2015	TS	KB



SECTION  
断面 A-A  
(尺度 5:1)

1. 本品は、プラグハウジング型番174661に装着される。  
1. TO BE MATED WITH PLUG HOUSING (PN 174661)

HB	自然色 (NATURAL)	1-174662-1
V-2	黄 (YELLOW)	174662-7
使用材料難燃グレード (FLAMMABILITY OF MATERIAL)	色 (COLOR)	型番 (PART NUMBER)

THIS DRAWING IS A CONTROLLED DOCUMENT.		DWN K.ODA 5/2587	 TE Connectivity				
DIMENSIONS: mm		CHK Y.MATSUSAKA 5/28'87					
TOLERANCES UNLESS OTHERWISE SPECIFIED:		APVD M.NOGUCHI 11/4'88	NAME 12P. ECONOSEAL J-MARKII+ CONNECTOR DOUBLE LOCK PLATE FOR PLUG HOUSING				
0 PLC ± - 1 PLC ± - 2 PLC ± - 3 PLC ± - 4 PLC ± - ANGLES ± -		PRODUCT SPEC 108-5262	SIZE A3	CAGE CODE 00779	DRAWING NO C=174662	RESTRICTED TO -	
MATERIAL PBT		FINISH -	WEIGHT -	SCALE 2:1		SHEET 1 of 1	REV B1
GENERAL TOLERANCE 0 < * ≤ 10 : ±0.2 10 < * ≤ 30 : ±0.25 30 < * ≤ 100 : ±0.3 ANGLES : ±3°			CUSTOMER DRAWING				