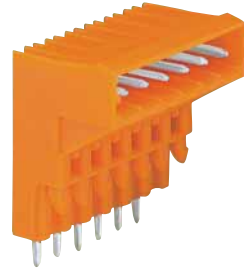
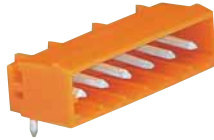
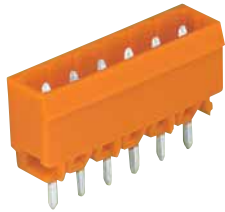


7 MULTI CONNECTION SYSTEM **MIDI**

Headers with Solder Pins, Pin Spacing 5.08 mm / 0.2 in

30

Pin spacing 5.08 mm/0.2 in, orange 250 V/4 kV/3 300 V, 10 A ① ② ③ 12 A ①/16 A ② 300 V, 15 A ② ③ ④	Pin spacing 5.08 mm/0.2 in, orange 250 V/4 kV/3 300 V, 10 A ① ② ③ 12 A ①/16 A ② 300 V, 15 A ② ③ ④	Pin spacing 5.08 mm/0.2 in, orange 250 V/4 kV/3 300 V, 10 A ① ② 12 A 300 V, 10 A ③
* ① ② ③ ④ VDE KEMA ⑤ ⑥ CCA ⑦ ⑧ GL BV LR ⑨ ⑩ ABS	* ① ② ③ ④ VDE KEMA ⑤ ⑥ CCA ⑦ ⑧ GL BV LR ⑨ ⑩ ABS	* ① ② ③ ④ VDE KEMA ⑤ ⑥ CCA ⑦ ⑧ GL BV LR ⑨ ⑩ ABS



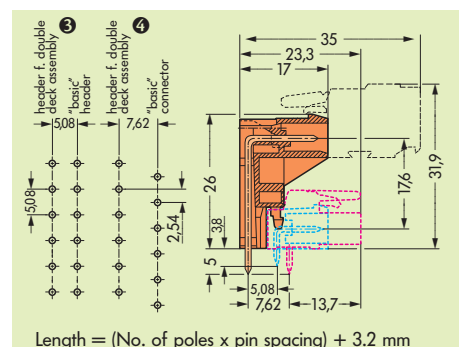
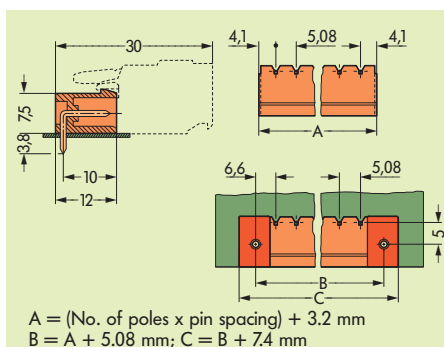
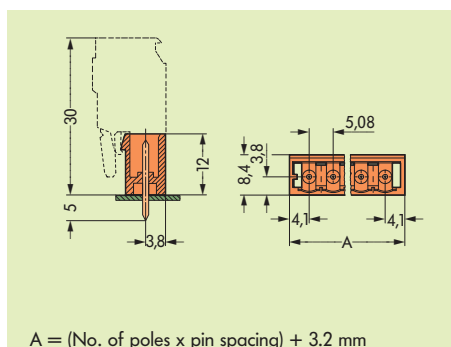
No. of poles	Item No.	Item No.	No. of poles	Item No.	Item No.	No. of poles	Item No.
Headers with straight solder pins, orange, solder pin 1 mm x 1 mm ① 1.2 mm x 1.2 mm ②			Headers with right angle solder pins, orange, solder pin 1 mm x 1 mm ① 1.2 mm x 1.2 mm ②			Headers for double deck assembly with right angle solder pins, orange,	
2	231-332/001-000	231-362/001-000	2	231-532/001-000	231-562/001-000	solder pin	1 mm x 1 mm
3	231-333/001-000	231-363/001-000	3	231-533/001-000	231-563/001-000	2	232-362
4	231-334/001-000	231-364/001-000	4	231-534/001-000	231-564/001-000	3	232-363
5	231-335/001-000	231-365/001-000	5	231-535/001-000	231-565/001-000	4	232-364
:	:	:	:	:	:	6	232-366
:	:	:	:	:	:	8	232-368
:	:	:	:	:	:	10	232-370
12	231-342/001-000	231-372/001-000	12	231-542/001-000	231-572/001-000	12	232-372
:	:	:	:	:	:		
:	:	:	:	:	:	16	232-376
:	:	:	:	:	:		
21	231-351/001-000	231-381/001-000	21	231-551/001-000	231-581/001-000		
22	231-352/001-000	231-382/001-000	22	231-552/001-000	231-582/001-000		
23	231-353/001-000	231-383/001-000	23	231-553/001-000	231-583/001-000		
24	231-354/001-000	231-384/001-000	24	231-554/001-000	231-584/001-000		

Female connectors with locking devices cannot be used.

Accessories

Coding key, snap-on type, light grey 231-129	Coding key, snap-on type, light grey 231-129	Coding key, snap-on type, light grey 231-129 f. coding double deck ass. headers
Separator, for formation of groups, light grey 231-500	Separator, for formation of groups, light grey 231-500	Separator, for formation of groups, light grey 231-500
	Fixing element, horizontal, orange 231-393	Code pin, push-in type, light grey 231-160 for coding the lower header
	Screw M 2 x 12 with nut 231-195 for fixing element	Attention! The solder pins of closed end headers for double deck assembly and lower headers are in line (see diagram below) ③. The solder pins of closed end headers for double deck assembly and lower female connectors are staggered by half a pin spacing (see diagram below) ④.
	Tapping screw, B 2.2 x 13 231-194 fixing hole Ø 1.8 mm	

Dimensions (in mm) Diameter of drilled hole: 1.4^{+0.1}mm (solder pin 1 mm x 1 mm); 1.7^{+0.1}mm (solder pin 1.2 mm x 1.2 mm)



* Approvals with corresponding ratings see pages 12.3 ff.