



Optocoupler terminal block; 24 VDC

Item No.: 859-794



Optocoupler terminal block; 24 VDC

Marking

RoHS ✓
Compliant

Business data

Supplier	WAGO
Item no.	859-794
GTIN / EAN	4055143606325
Content	1
Order amount	1
Customer item number	

Notes

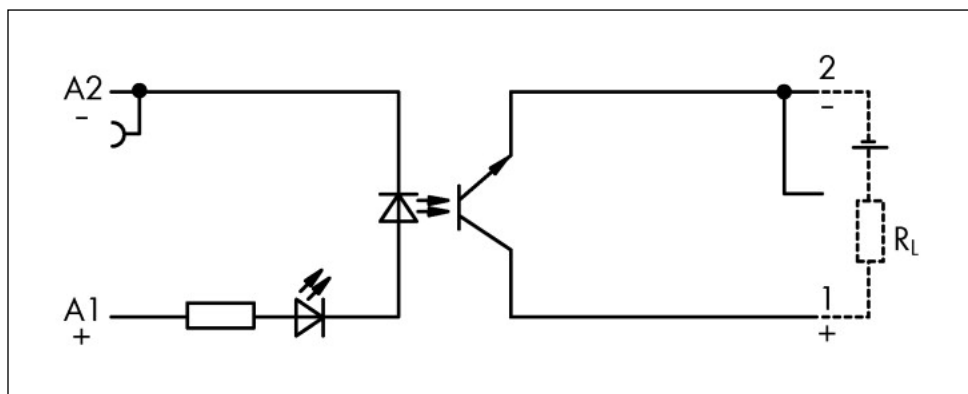
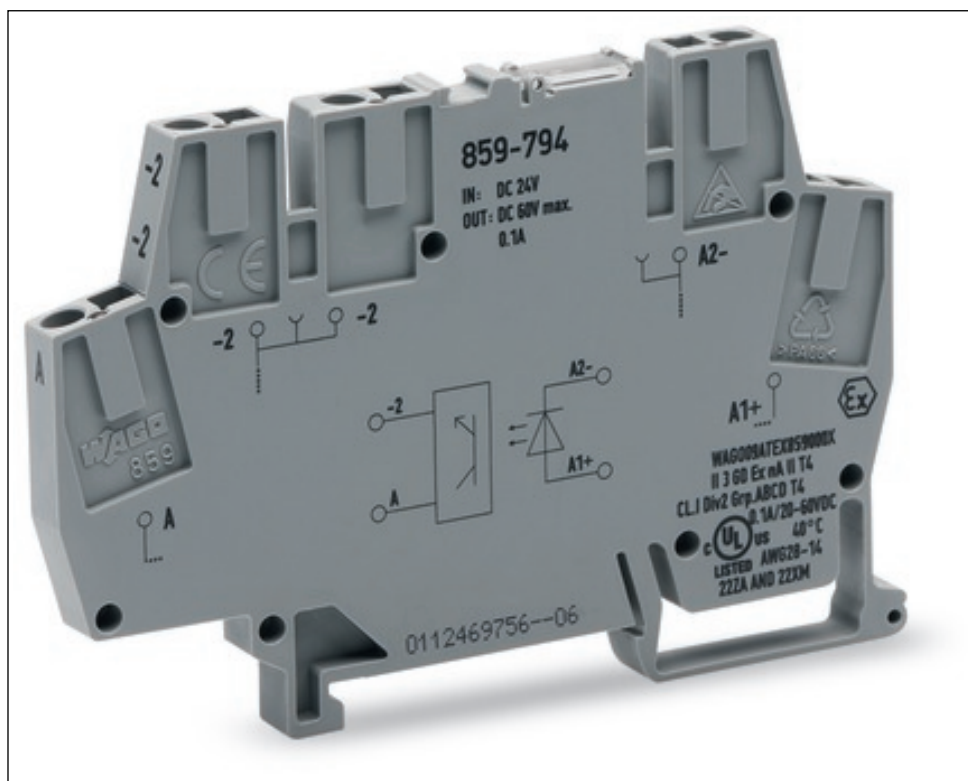
Technical data

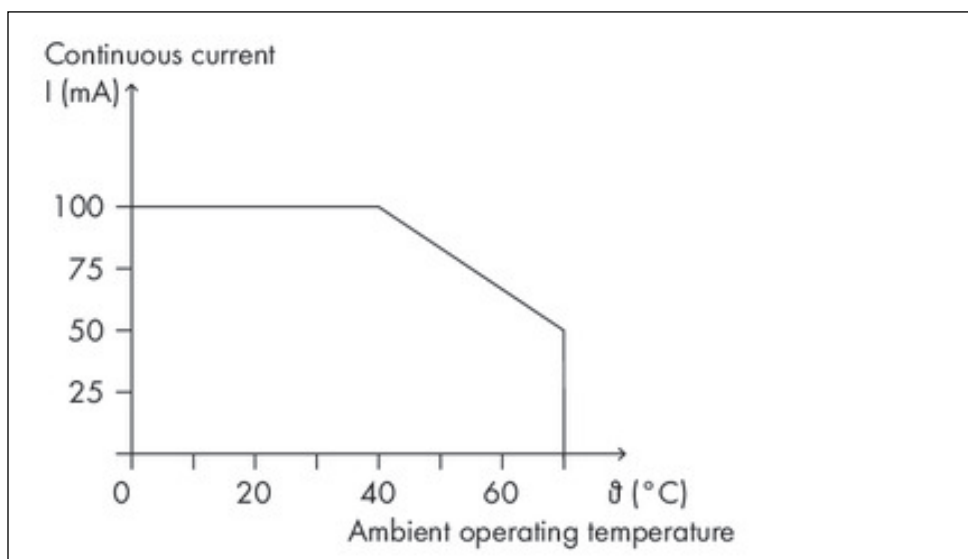
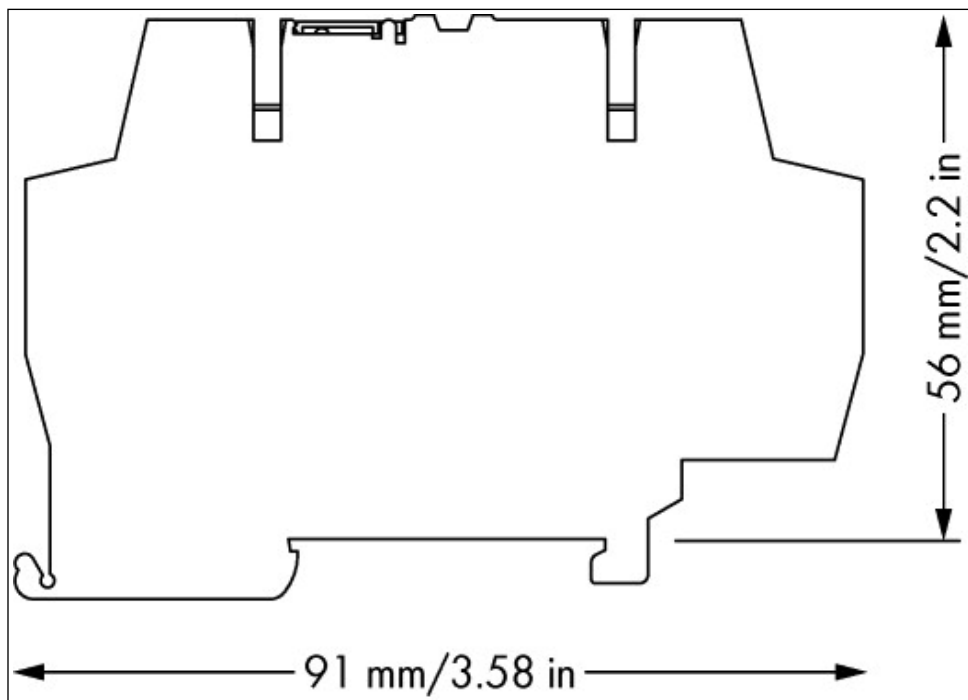
Miscellaneous

Total number of connection points	5
Color	gray
Max. switching frequency	1.5 kHz
Nominal input voltage UN	24 VDC
Output nominal voltage	24 V DC
Output voltage range	9 V ... 60 VDC

Technical data	
<i>Max. continuous current</i>	<i>100 mA</i>
<i>Max. continuous current (70°C) [mA]</i>	<i>50 [mA]</i>
<i>Leakage current at nominal voltage</i>	<i>25µA</i>
<i>Max. voltage drop at output</i>	<i>2 V</i>
<i>Reverse voltage transistor/triac [V]</i>	<i>100 [V]</i>
<i>Drop-out time (µs) [µs]</i>	<i>120 [µs]</i>
<i>Ambient operating temperature</i>	<i>-40 °C ... +70 °C</i>
<i>Dielectric strength, control/load circuit (AC, 1 min) [kV<su</i>	<i>2.5 [kVrms]</i>
<i>Input voltage range (low level)</i>	<i>0 ... 5 VDC</i>
<i>Input voltage range (high level)</i>	<i>16 ... 30 VDC</i>
<i>Connection technology</i>	<i>CAGE CLAMP®</i>
<i>Solid conductor</i>	<i>0.08 ... 2.5 mm² / 28 ... 14 AWG</i>
<i>Strip length</i>	<i>5 ... 6 mm / 0.2 ... 0.24 Inch</i>
<i>Type of wiring</i>	<i>Front-entry wiring</i>
<i>Processing temperature</i>	<i>-25 °C ... +70 °C</i>
<i>Fire load [MJ]</i>	<i>0.478 [MJ]</i>
<i>Weight [g]</i>	<i>17.829 [g]</i>
<i>Width</i>	<i>6 mm / 0.236 Inch</i>
<i>Height from upper-edge of DIN-35 rail</i>	<i>56 mm / 2.205 Inch</i>
<i>Depth</i>	<i>91 mm / 3.583 Inch</i>
<i>Type of mounting</i>	<i>DIN-35 x 15 carrier rail</i>

Images & drawings





Address

WAGO Kontakttechnik GmbH & Co. KG

Hansastr. 27

32423 Minden

Telefon: 0571/887-0

Fax: 0571/887-169

<http://www.wago.com>

© WAGO Kontakttechnik GmbH & Co. KG

Technische Änderungen und Irrtümer vorbehalten.