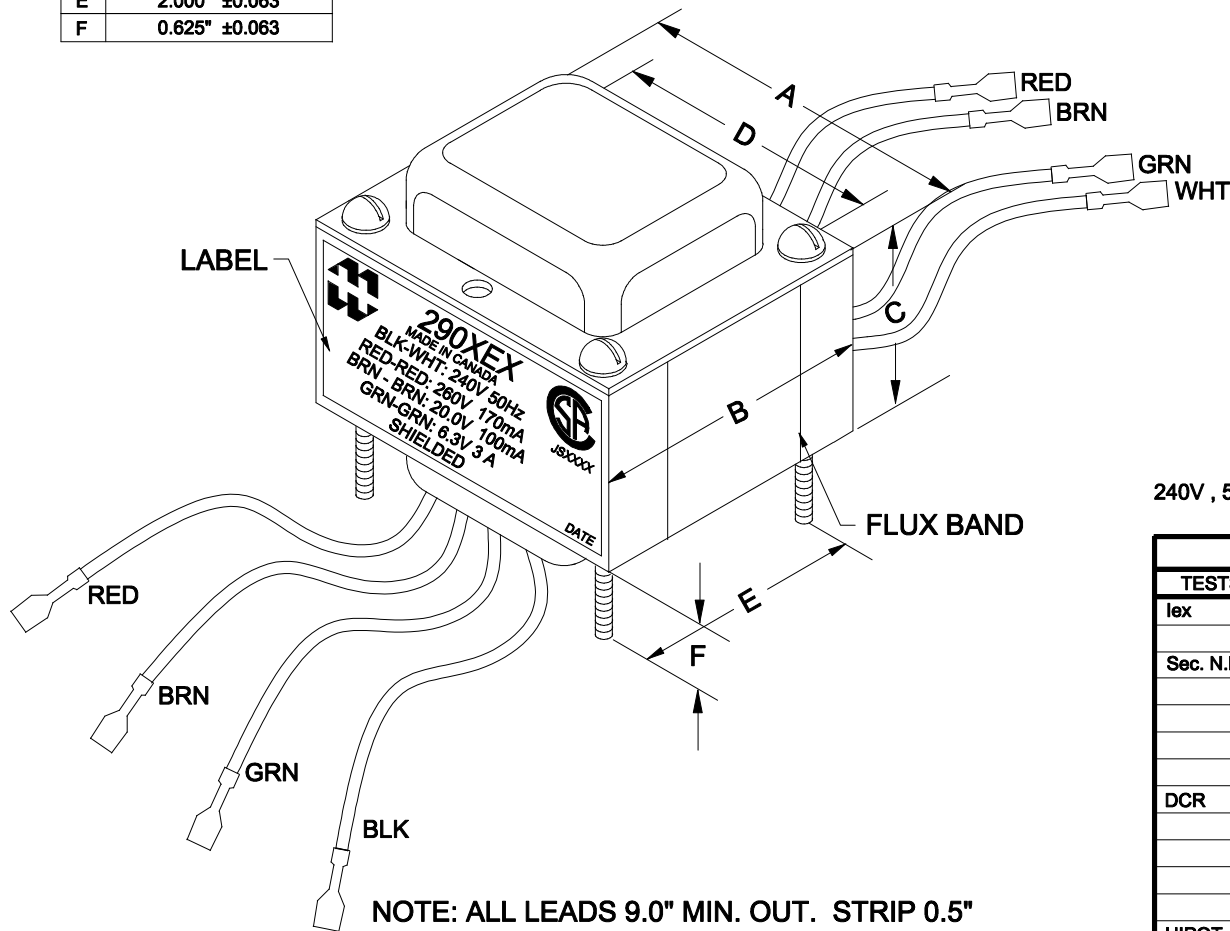
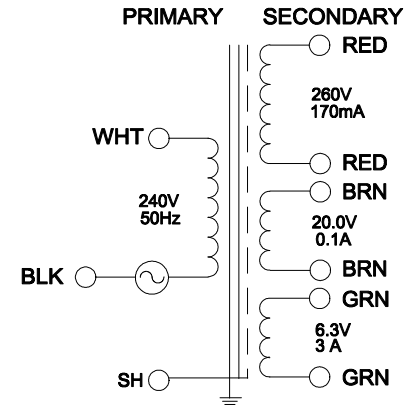


DIMENSIONS:	
A	3.000" ±0.063
B	2.500" ±0.125
C	1.125" ±0.063
D	2.500" ±0.063
E	2.000" ±0.063
F	0.625" ±0.063



NOTE: ALL LEADS 9.0" MIN. OUT. STRIP 0.5"



Electro Static shield between Primary to secondary windings
0.010 copper flux band around core and coil

240V , 50 Hz version of P-TF49967 , Blues Jr.

ELECTRICAL DATA:			
TESTS	CONDITIONS	ACCEPTANCE CRITERIA	
lex	@ 240V, 50Hz, BLK - WHT	160mA	Max.
Sec. N.L.V	@ 240V, 50Hz, BLK - WHT		
	RED - RED =	279.63V	±2%
	BRN - BRN =	21.17V	±2%
	GRN - GRN =	6.89V	±2%
DCR	@ 20°C, BLK - WHT =	21.63 Ω	±20%
	@ 20°C, RED - RED =	59.58 Ω	±20%
	@ 20°C, BRN - BRN =	4.830 Ω	±20%
	@ 20°C, GRN - GRN =	0.080 Ω	±20%
HIPOT	PRIMARY - SECONDARY	2500V, 60Hz, 1 SEC	

REV.#	REVISION	DATE	HAMMOND MANUFACTURING™		ELECTRONIC DIVISION	
0	RELEASED.	08/27/12	52 RANKIN PLACE, WATERLOO, ONTARIO, N2J 3Z5		PH # (519) 886-6181 FAX # (519) 886-9540	
1	was 240V @ .125A , 6.4V at 2.6A	04/18/17				
			DWG. BY: D.Hutt	CHK'D BY:	TITLE: 290XEX	DWG. NO.
			DATE: 08/27/12	APP'D. BY:	TRANSFORMER	290XEX
				DIMENSIONS: IN(X) MM()		