



8-channel digital input; 24 VDC; 0.2 ms

Item No.: 750-431



8-channel digital input; 24 VDC; 0.2 ms

Marking

RoHS ✓
Compliant

Business data

Supplier	WAGO
Item no.	750-431
GTIN / EAN	4045454392857
Content	1
Order amount	1
Customer item number	

Notes

Item description: The digital input module provides 8 channels in a width of just 12 mm (0.47 inch). It receives control signals from digital field devices (e.g., sensors). Each input module has a noise-rejection filter. Field and system levels are electrically isolated.

Technical data

Miscellaneous

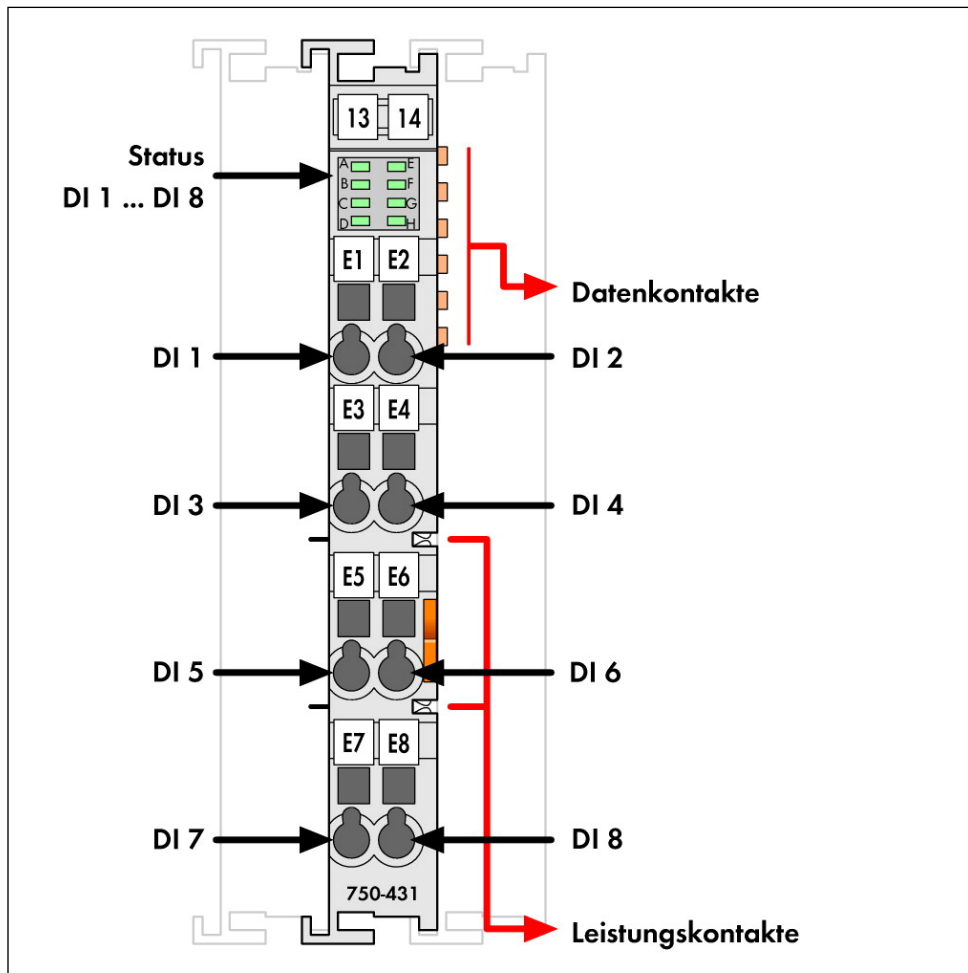
Packaging type	BOX
Number of digital inputs	8
Total number of channels (module)	8
Type of signal	Voltage

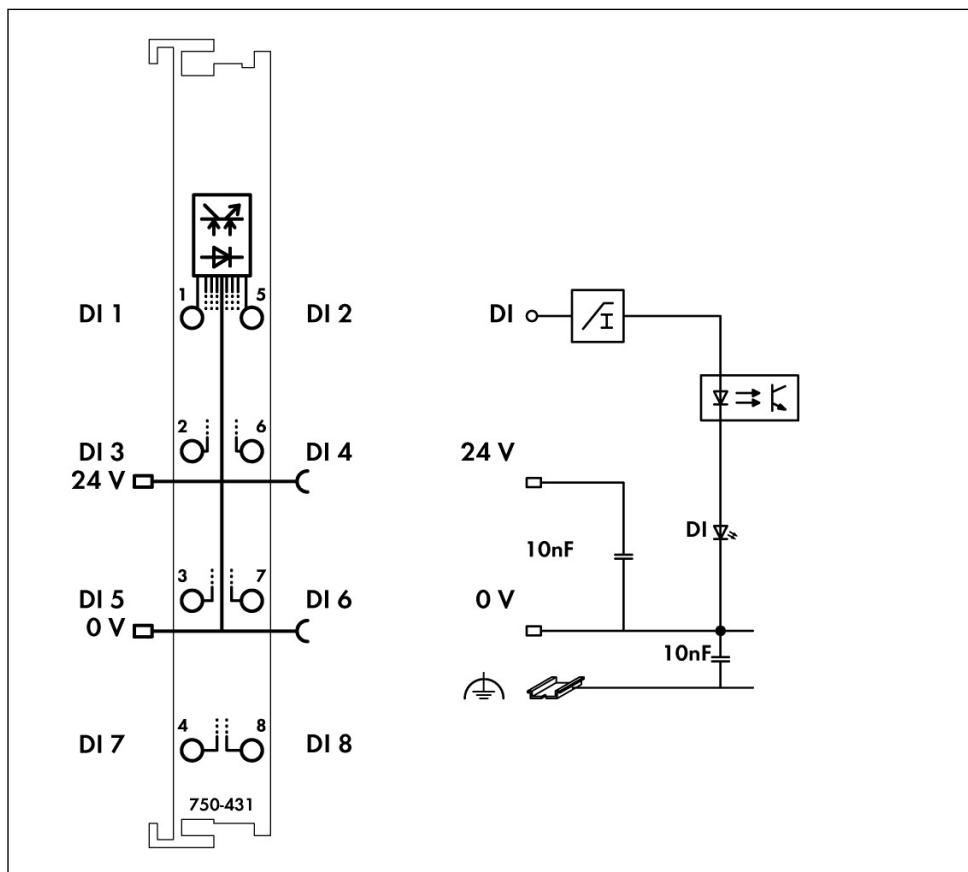
Technical data	
Type of signal voltage	DC 24 V
Sensor connection	8 x (1-conductor)
Input characteristic	high-side switching
Input filter (digital) [ms]	0.2 [ms]
Input current per channel for signal (1) typ. [mA]	2.8 [mA]
Voltage range for signal (0)	3 ... +5 VDC
Voltage range for signal (1)	15 ... 30 VDC
Datenbreite Eingangsdaten (intern) max. [Bit]	8 [Bit]
System supply voltage	DC 5 V; via data contacts
Current consumption, system supply [mA]	17 [mA]
Field supply voltage	DC 24 V (-25 ... +30 %); via power jumper contacts
Isolation field – system	500 V AC (1 min)
Number of incoming power jumper contacts	2
Number of outgoing power jumper contacts	2
Current carrying capacity of the power jumper contacts [A]	10 [A]
Number of connections: Inputs/outputs	8
Connection technology: inputs/outputs	CAGE CLAMP®
Connection type (1)	Ein-/Ausgänge
Solid conductor	0.08 ... 2.5 mm ² / 28 ... 14 AWG
Fine-stranded conductor	0.08 ... 2.5 mm ² / 28 ... 14 AWG
Strip length	8 ... 9 mm / 0.31 ... 0.35 Inch
Width	12 mm / 0.472 Inch
Height	67.8 mm / 2.669 Inch
Height from upper-edge of DIN-35 rail	60.6 mm / 2.386 Inch
Depth	100 mm / 3.937 Inch
Type of mounting	Carrier rail 35 x 15
Color	light gray
Housing material	Polycarbonate, polyamide 6.6
Fire load [MJ]	1.11 [MJ]
Weight [g]	47.764 [g]
Conformity marking	CE
Ambient temperature (operation)	0 ... 55 °C
Ambient temperature (storage)	-25 ... 85 °C
Degree of protection	IP20
Degree of pollution (5)	2 per IEC 61131-2

Technical data	
<i>Mounting position</i>	<i>any</i>
<i>Relative air humidity (no condensation) [%]</i>	<i>95 [%]</i>
<i>Vibration resistance</i>	<i>acc. to IEC 60068-2-6</i>
<i>Shock resistance</i>	<i>acc. to IEC 60068-2-27</i>
<i>EMC immunity to interference</i>	<i>acc. to EN 61000-6-2, marine applications</i>
<i>EMC emission of interference</i>	<i>acc. to EN 61000-6-4, marine applications</i>
<i>Exposure to pollutants</i>	<i>Per IEC 60068-2-42 and IEC 60068-2-43</i>
<i>Zulässige Schadstoffkonzentration H2S bei einer r</i>	<i>10 [ppm]</i>
<i>Zulässige Schadstoffkonzentration SO2 bei einer r</i>	<i>25 [ppm]</i>
<i>Product Family</i>	<i>750/753 Series I/O-System</i>
<i>Main product function</i>	<i>Digital input</i>
<i>Product type</i>	<i>Digital modules</i>

Images & drawings







Address

WAGO Kontakttechnik GmbH & Co. KG

Hansastr. 27

32423 Minden

Telefon: 0571/887-0

Fax: 0571/887-169

<http://www.wago.com>

© WAGO Kontakttechnik GmbH & Co. KG

Technische Änderungen und Irrtümer vorbehalten.