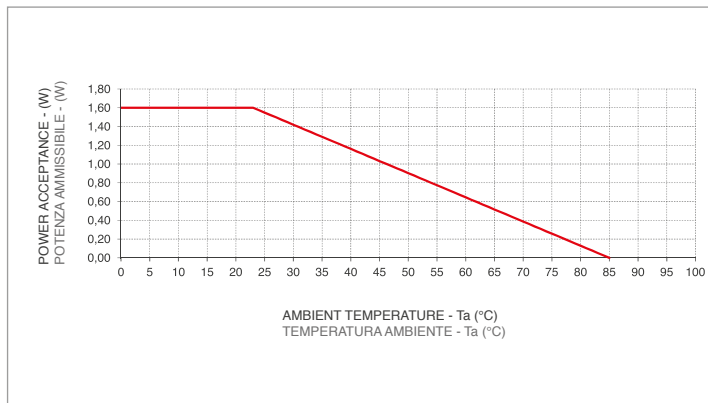
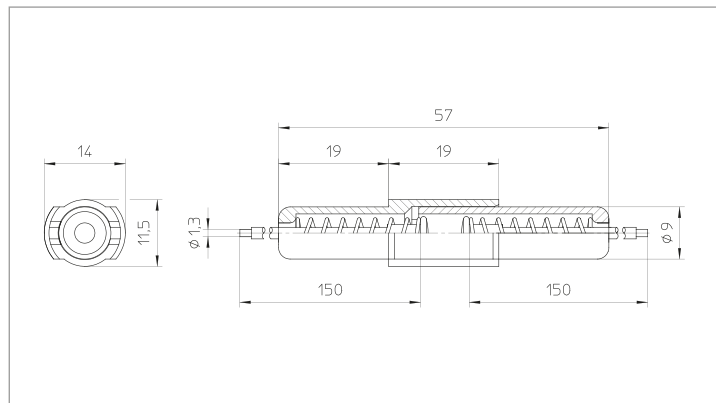




Fuse link / Fusibile tipo	5x20 mm and 6,3x32 mm
Mounting / Montaggio	In-line / Volante
Rated Current / Corrente nominale	6,3 A
Rated Voltage / Tensione nominale	250 VAC
Rated Power Acceptance / Potenza dissipabile	1,6 W

Housing / Corpo isolante	Thermoplastic UL 94 HB
Admissible ambient air temperature / Temperatura ambiente ammissibile	-30 °C to 85 °C
Shocksafe category / Protezione contro le scosse elettriche	PC1
Degree of protection / Grado di protezione	IP00
Contact Resistance / Resistenza di contatto	< 5 mΩ

Standard colour / Colore standard	Black / Nero
Other colours / Altri colori	—
Accessories / Accessori	—
Other information / Altri dati	p. 43
Standard package / Imballo	Bulk / Scatola 1000 pcs



IN-LINE SHOCKSAFE FUSEHOLDERS PORTAFUSIBILI PROTETTI VOLANTI

PTF/40



PTF/55



PTF/70



PTF/80



PTF/80A



I - II	I - II	I - II
PC2	PC2	PC2
> 4,0 kV	> 4,0 kV	> 4,0 kV
> 6,0 kV	> 6,0 kV	> 6,0 kV
III	III	III
3	3	3
> 10 MΩ	> 10 MΩ	> 10 MΩ
> 100 MΩ	> 100 MΩ	> 100 MΩ
> 1,5 kV	> 1,5 kV	> 1,5 kV
> 3 kV	> 3 kV	> 3 kV

I - II	I - II
PC1	PC1
> 4,0 kV	> 4,0 kV
> 4,0 kV	> 4,0 kV
III	III
3	3
> 10 MΩ	> 10 MΩ
—	—
> 1,5 kV	> 1,5 kV
—	—

Max 0,4 Nm	Max 0,4 Nm	Max 0,4 Nm
Min 0,8 - Max 2,5 mm	Min 0,8 - Max 6,5 mm	Min 0,8 - Max 6,5 mm
Max 1,2 Nm	Max 1,2 Nm	Max 1,2 Nm

Max 0,4 Nm	Max 0,4 Nm
—	—
—	—

Thermoplastic	Thermoplastic	Thermoplastic
UL 94 V0	UL 94 V0	UL 94 V0
Copper Alloy Ni + Sn	Copper Alloy Ni + Sn	Copper Alloy Ni + Sn
Inox	Inox	Inox

—	—
—	—
—	—
—	—

Thermoplastic	Thermoplastic	Thermoplastic
UL 94 V0	UL 94 V0	UL 94 V0
Copper Alloy Ni + Sn	Copper Alloy Ni + Sn	Copper Alloy Ni + Sn
—	Inox	Inox

Thermoplastic	Thermoplastic
UL 94 HB	UL 94 HB
Copper Alloy Ni	Copper Alloy Ni
Inox	Inox

—	Thermoplastic	Thermoplastic
—	UL 94 V0	UL 94 V0

—	—
—	—