

CONFIDENTIAL

VERTRAULICH

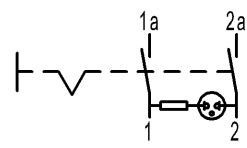
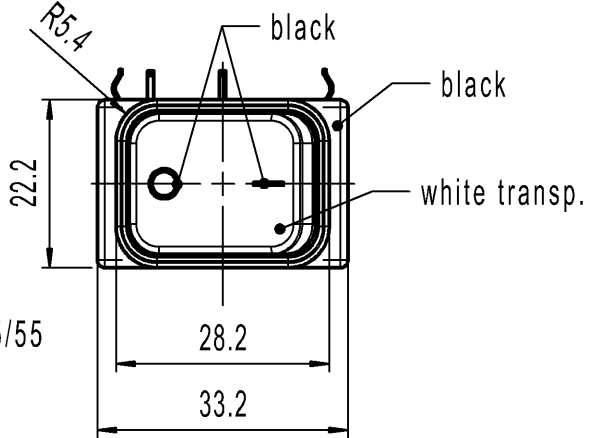
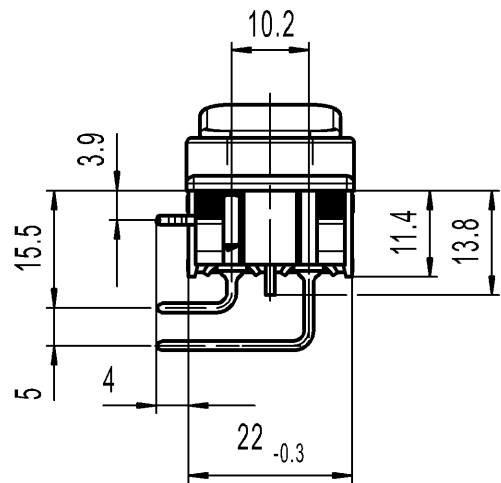
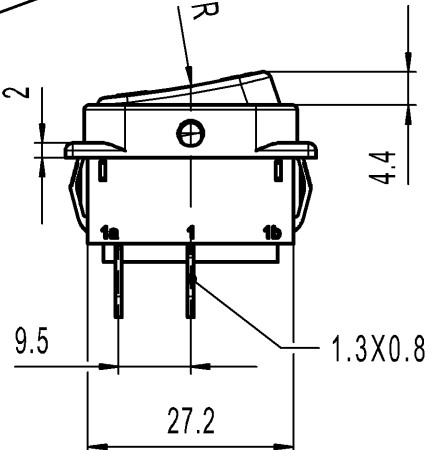
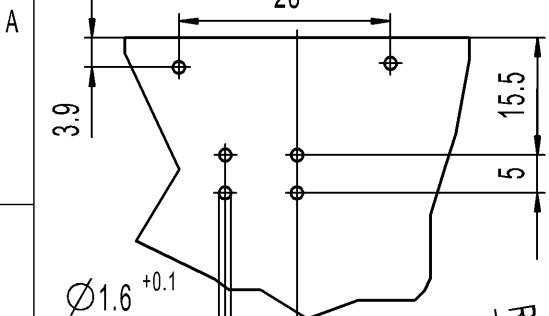
THIS DRAWING IS THE EXCLUSIVE PROPERTY OF MARQUARDT. WITHOUT THEIR CONSENT IT MAY NOT BE REPRODUCED OR GIVEN TO THIRD PARTIES.

Alle Rechte bei Marquardt, auch fuer den Fall von Schutzrechtsanmeldungen. Jede Veruegungsbefugnis, wie Kopier- und Weitergaberecht, bei uns.

Recommended terminal layout: side of component
Tolerance as per DIN IEC 326 item 3 very fine

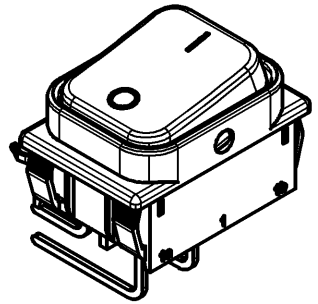
recommended cut-out for snap-in fixing (edge opposite to snap-in direction)

wall thickness	length of cut-out	width of cut-out
0.75 to 1.25	30 -0.1	22+0.2
1.25 to 2	30.2 -0.1	22+0.2
2 to 3	30.6 -0.1	22+0.2

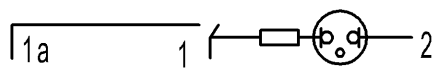


Marking
 1835.
 10(8)/250~5E4
 20(4)/250~ T85/55
 5/120A 250V~

DPST
 Neon lamp with Rv for 230V AC
 Suitable for appliance of class II



16A 250V AC
 1HP
 R142



Code of manufacture: place/year/week

-	-	-	1835.9413-XX
Figure	Type	Customer Part No.	Art.No.-PI
Shape and location	Angle ± 2°	Sheet 01	Ident. K
	Edge tolerance	Format DIN A4	Document number 18359413
	Length	Projection	Index c
	Radii	Scale 1:1	Appliance Switch
		All dimensions are in millimetres	
c	140527	System NX V1872	 MARQUARDT
b	64507	Replacement of	
a	39880		
	34579		
Index	MEC-No.	Date (YYYY-MM-DD)	Edited by