

86480-2 ✓ ACTIVE

AMPMODU | AMPMODU MOD 1

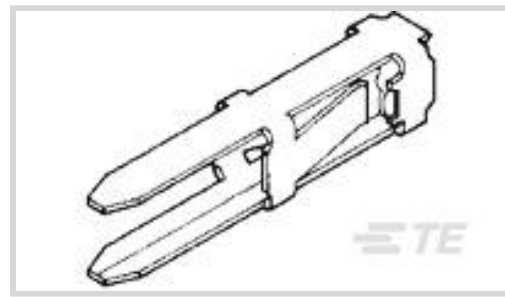
TE Internal #: 86480-2

Socket Contact, Gold, Phosphor Bronze, Signal, -85 – 221 °F [-65 – 105 °C], AMPMODU MOD 1

[View on TE.com >](#)



Terminals & Splices > Contacts > Connector Contacts



Contact Type: **Socket**

Contact Mating Area Plating Material: **Gold**

Contact Base Material: **Phosphor Bronze**

Product Terminates To: **Printed Circuit Board**

Contact Current Rating (Max): **5 A**

Features

Product Type Features

Applied Pressure	Standard
------------------	----------

Electrical Characteristics

Insulation Resistance	5000 MΩ
Dielectric Withstanding Voltage (Max)	1200 V
Contact Resistance	12 mΩ

Contact Features

Contact Mating Area Plating Material Thickness	.762 μm[30 μin]
Contact Orientation	Straight
PCB Contact Termination Area Plating Material	Gold Flash
Contact Type	Socket
Contact Mating Area Plating Material	Gold
Contact Base Material	Phosphor Bronze
Contact Current Rating (Max)	5 A

Termination Features

Termination Post & Tail Length	2.85 mm[.112 in]
Product Terminates To	Printed Circuit Board

Mechanical Attachment

Wire Insulation Support	Without
-------------------------	---------

PCB Mount Retention	Without
---------------------	---------

Housing Features

Mating Entry Location	Bottom
-----------------------	--------

Dimensions

PCB Thickness (Recommended)	1.4 – 1.78 mm [.055 – .07 in]
-----------------------------	-------------------------------

Usage Conditions

Operating Temperature Range	-65 – 105 °C [-85 – 221 °F]
-----------------------------	-----------------------------

Operation/Application

Circuit Application	Signal
---------------------	--------

Packaging Features

Packaging Quantity	1000
--------------------	------

Packaging Method	Loose Piece
------------------	-------------

Product Compliance

[For compliance documentation, visit the product page on TE.com>](#)

EU RoHS Directive 2011/65/EU	Compliant
------------------------------	-----------

EU ELV Directive 2000/53/EC	Compliant
-----------------------------	-----------

China RoHS 2 Directive MIIT Order No 32, 2016	No Restricted Materials Above Threshold
---	---

EU REACH Regulation (EC) No. 1907/2006	Current ECHA Candidate List: JUNE 2023 (235) Candidate List Declared Against: JUNE 2023 (235) Does not contain REACH SVHC
--	---

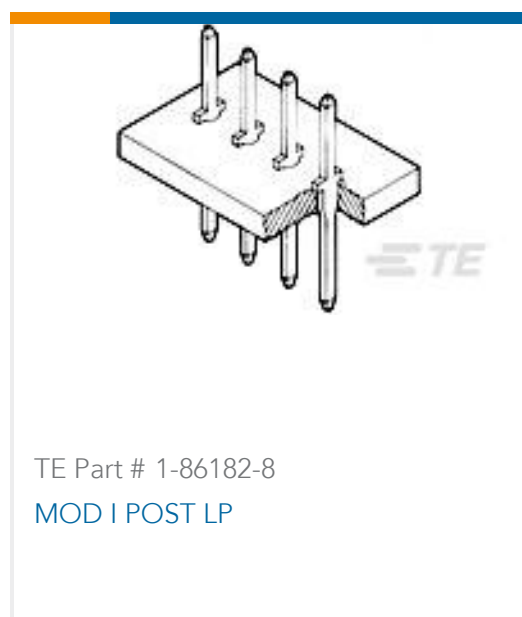
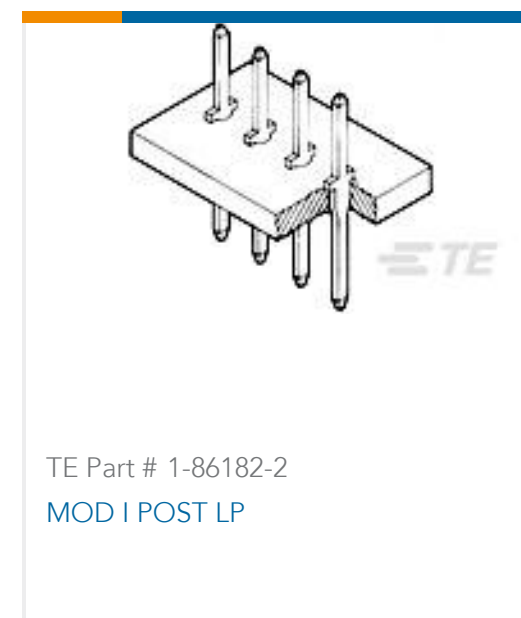
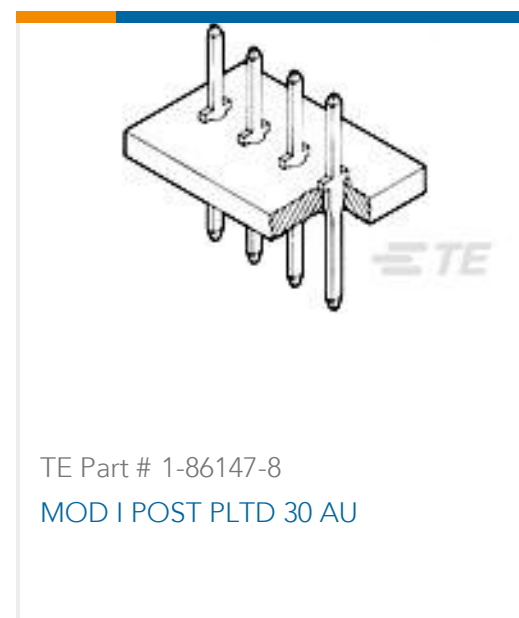
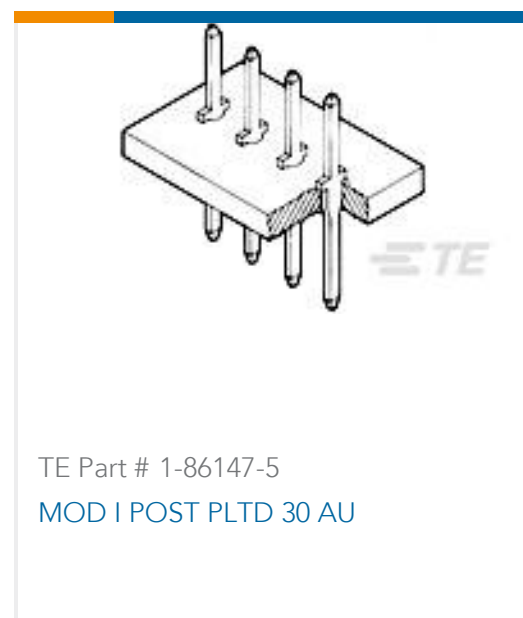
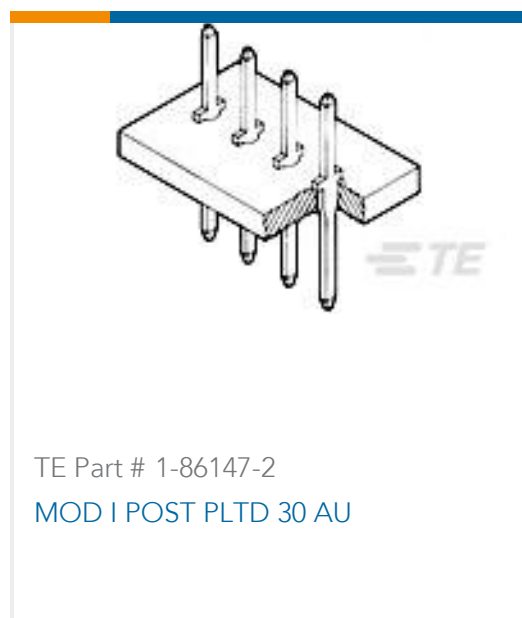
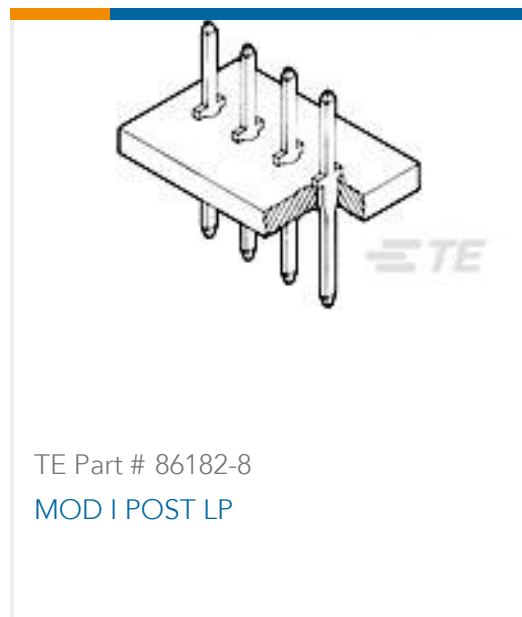
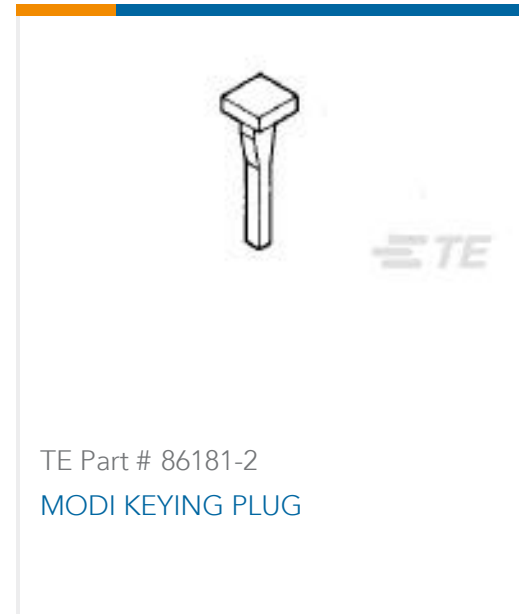
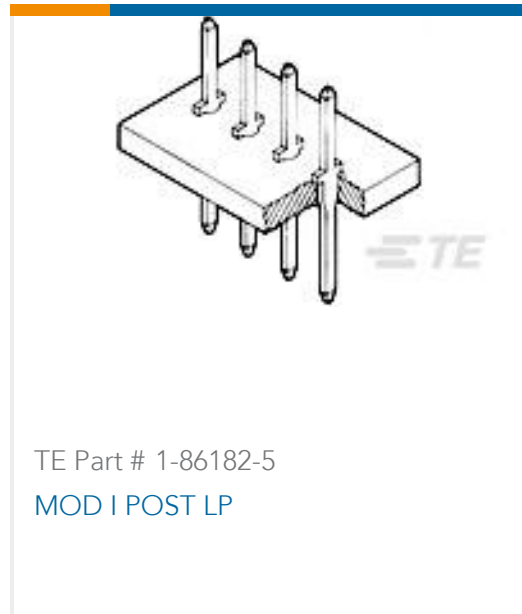
Halogen Content	Low Halogen - Br, Cl, F, I < 900 ppm per homogenous material. Also BFR/CFR/PVC Free
-----------------	---

Solder Process Capability	Wave solder capable to 265°C
---------------------------	------------------------------

Product Compliance Disclaimer

This information is provided based on reasonable inquiry of our suppliers and represents our current actual knowledge based on the information they provided. This information is subject to change. The part numbers that TE has identified as EU RoHS compliant have a maximum concentration of 0.1% by weight in homogenous materials for lead, hexavalent chromium, mercury, PBB, PBDE, DBP, BBP, DEHP, DIBP, and 0.01% for cadmium, or qualify for an exemption to these limits as defined in the Annexes of Directive 2011/65/EU (RoHS2). Finished electrical and electronic equipment products will be CE marked as required by Directive 2011/65/EU. Components may not be CE marked. Additionally, the part numbers that TE has identified as EU ELV compliant have a maximum concentration of 0.1% by weight in homogenous materials for lead, hexavalent chromium, and mercury, and 0.01% for cadmium, or qualify for an exemption to these limits as defined in the Annexes of Directive 2000/53/EC (ELV). Regarding the REACH Regulation, the information TE provides on SVHC in articles for this part number is based on the latest European Chemicals Agency (ECHA) 'Guidance on requirements for substances in articles' posted at this URL: <https://echa.europa.eu/guidance-documents/guidance-on-reach>

Compatible Parts



Also in the Series | AMPMODU MOD 1



Automotive Terminals(4)



Board-to-Board Jumpers & Shunts(5)



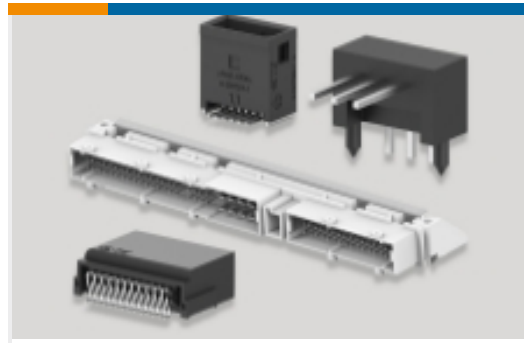
Connector Contacts(108)



Connector Hardware(2)



Insertion & Extraction Tools(1)



PCB Headers & Receptacles(341)



Wire-to-Board Connector Assemblies & Housings(32)

Customers Also Bought



TE Part #213782-4
CPC RECPT ASSEMBLY SIZE 23-19



TE Part #1375820-7
CST-100 II HOUSING 7 POS



TE Part #5-1623732-0
BCHE 7 W 6K8 5%



TE Part #1825618-1
BPM1532004=Boot, Pushbutton



TE Part #1-1721150-3
Miniature PCB Relay - ORWH - 10 Amp



TE Part #1-1879022-9
SMF3 1K8 5%



TE Part #3-641213-7
07P MTA100 HDR ASSY PO/ST LF



TE Part #1622866-1
CRG0603 1% 1K0



TE Part #1445336-1
LOOSE PC CONTACT TIN PLATED



Documents

CAD Files

3D PDF

3D

Customer View Model

[ENG_CVM_CVM_86480-2_B.2d_dxf.zip](#)

English

Customer View Model

[ENG_CVM_CVM_86480-2_B.3d_igs.zip](#)

English

Customer View Model

[ENG_CVM_CVM_86480-2_B.3d_stp.zip](#)

English

By downloading the CAD file I accept and agree to the [Terms and Conditions](#) of use.

Datasheets & Catalog Pages

[AMPMODU_INTERCONNECTION_SYSTEM_SECTION_6_7AND8](#)

English

Product Specifications

[Product Specification](#)

English

Product Environmental Compliance

[Product Compliance Document](#)

English

[Product Compliance Document](#)

English