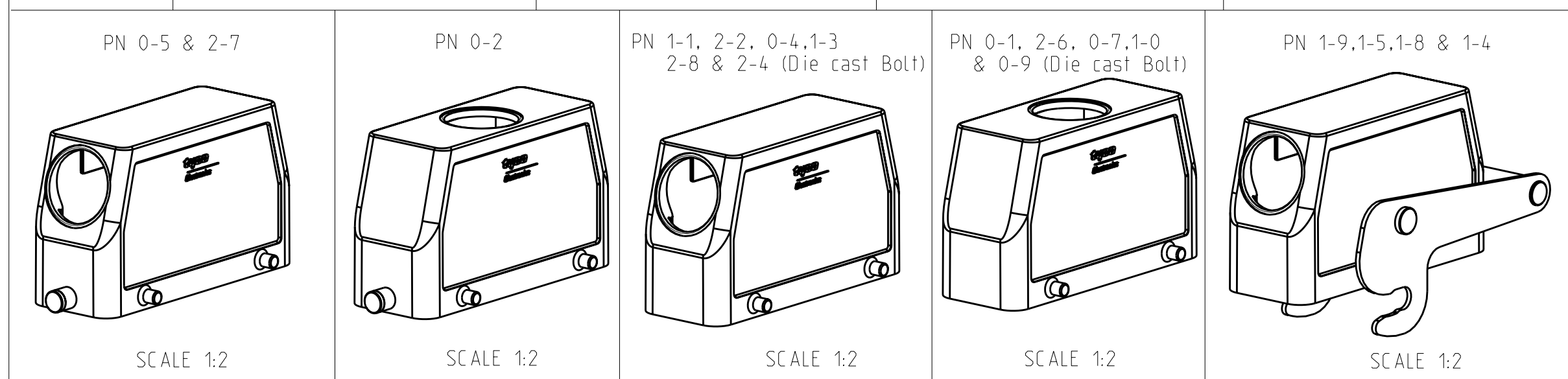
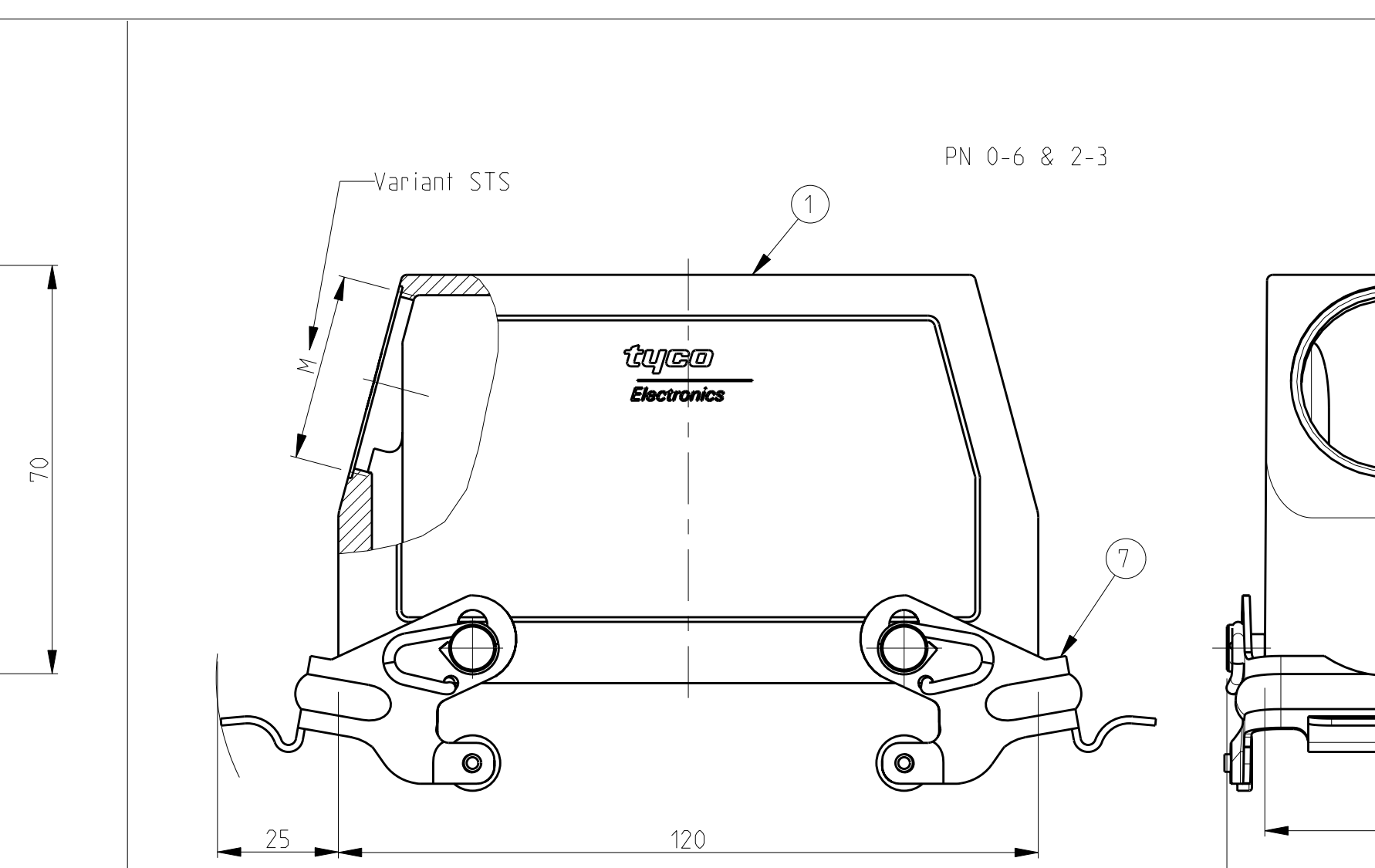
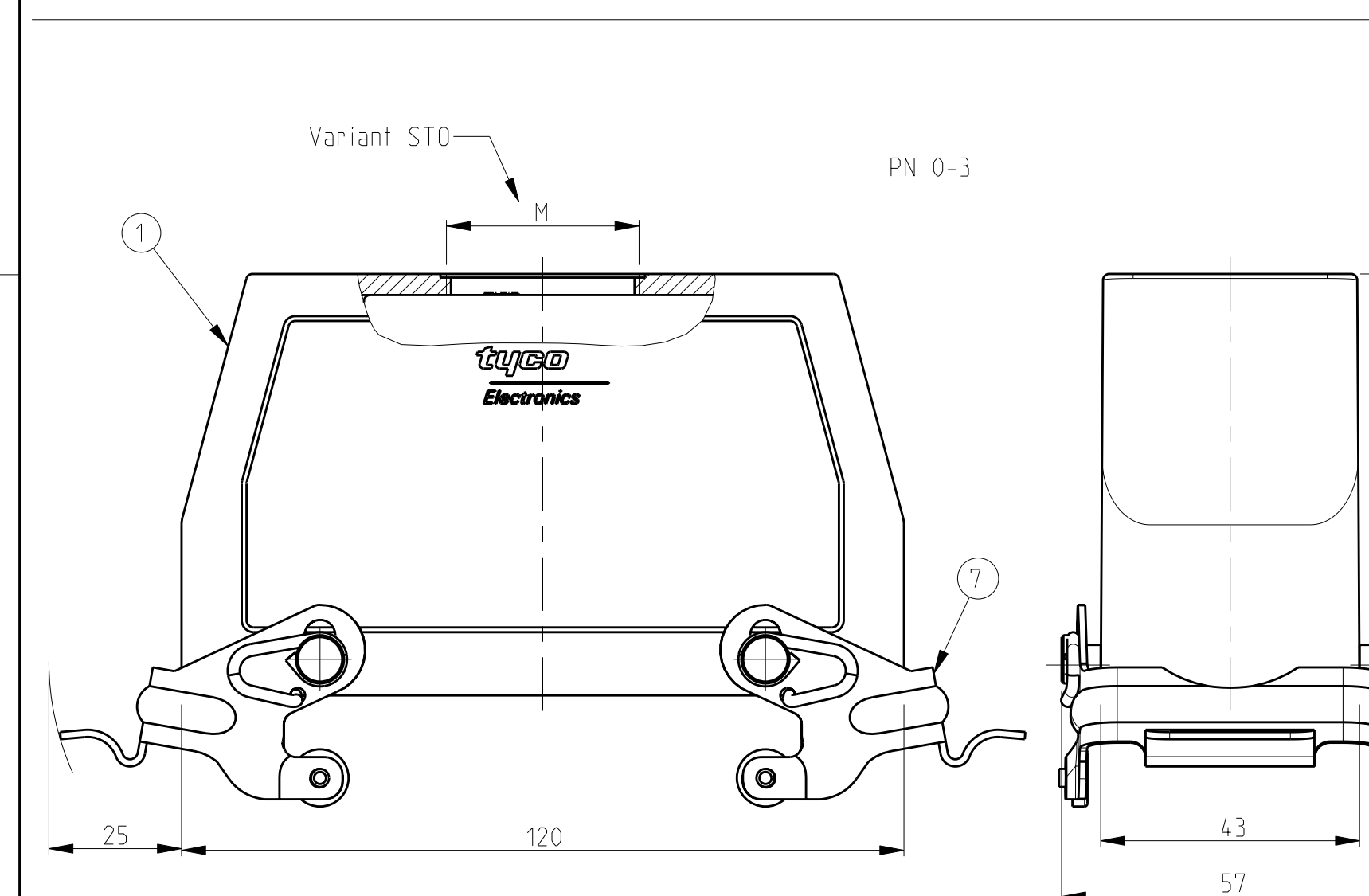
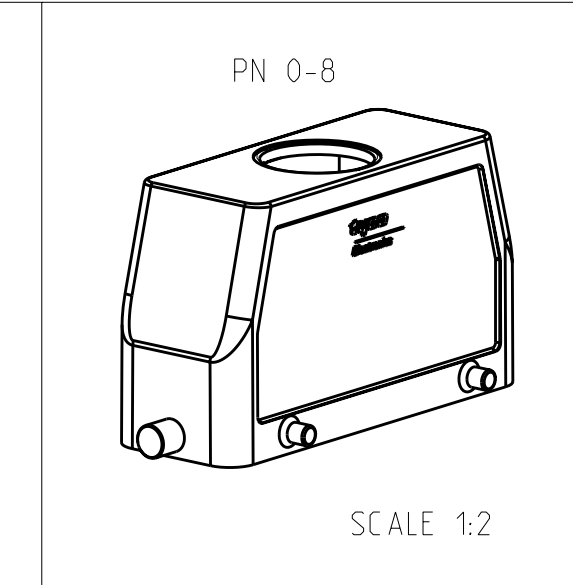
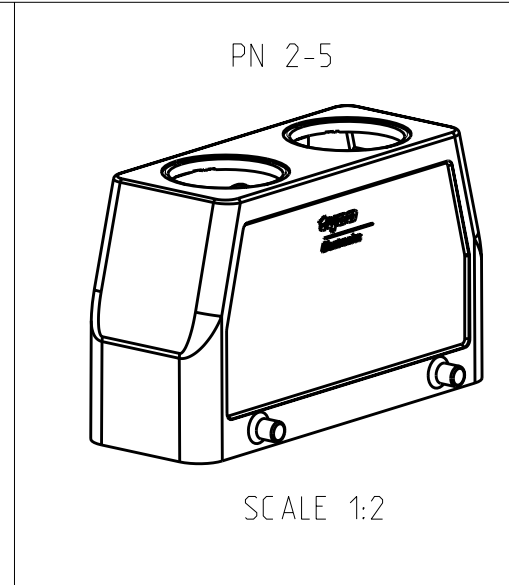
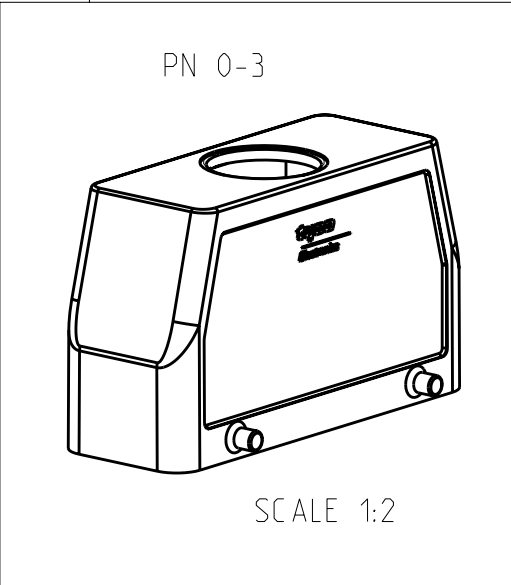
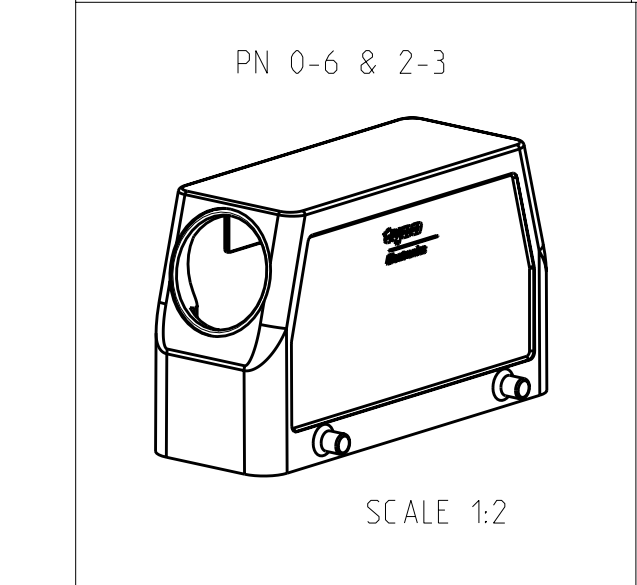
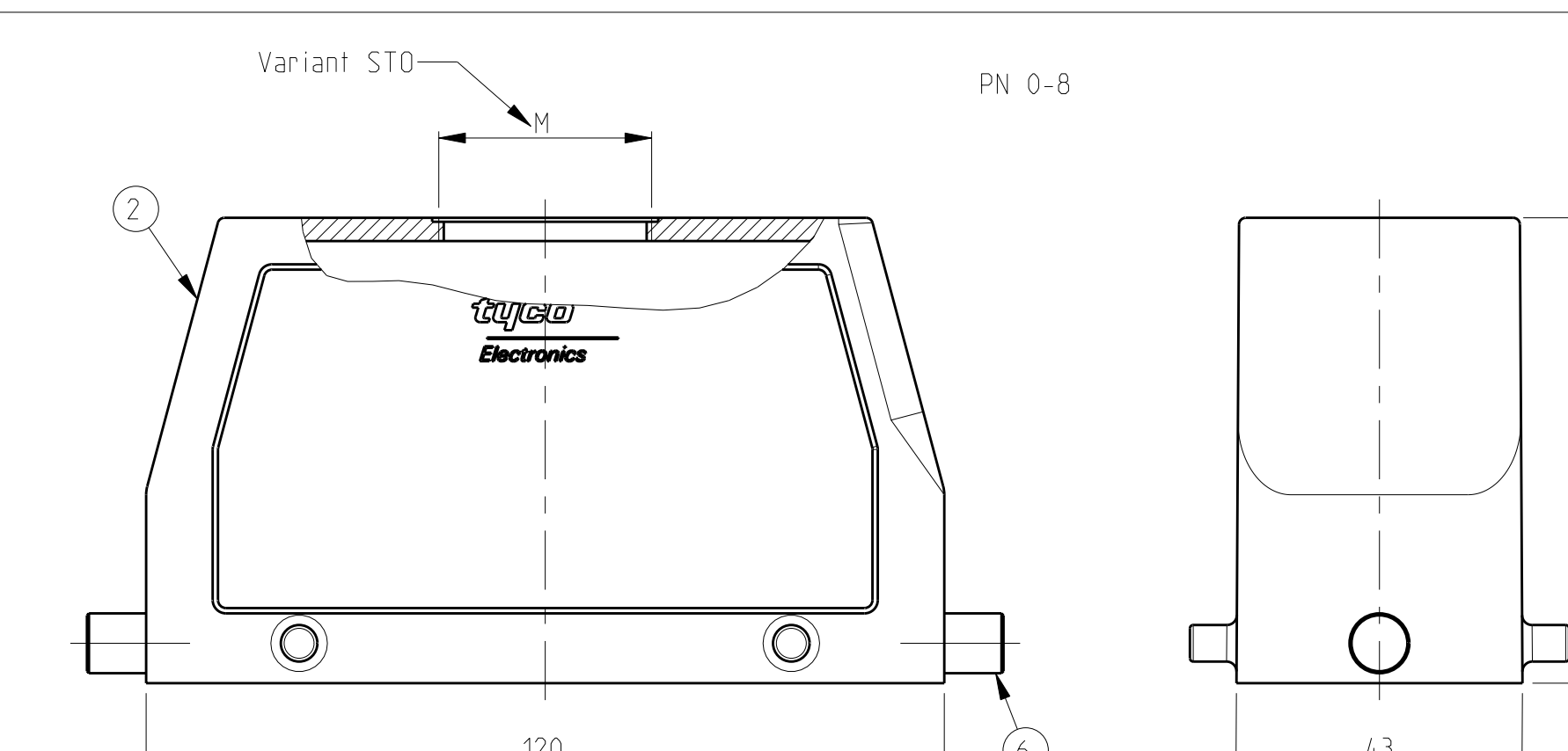
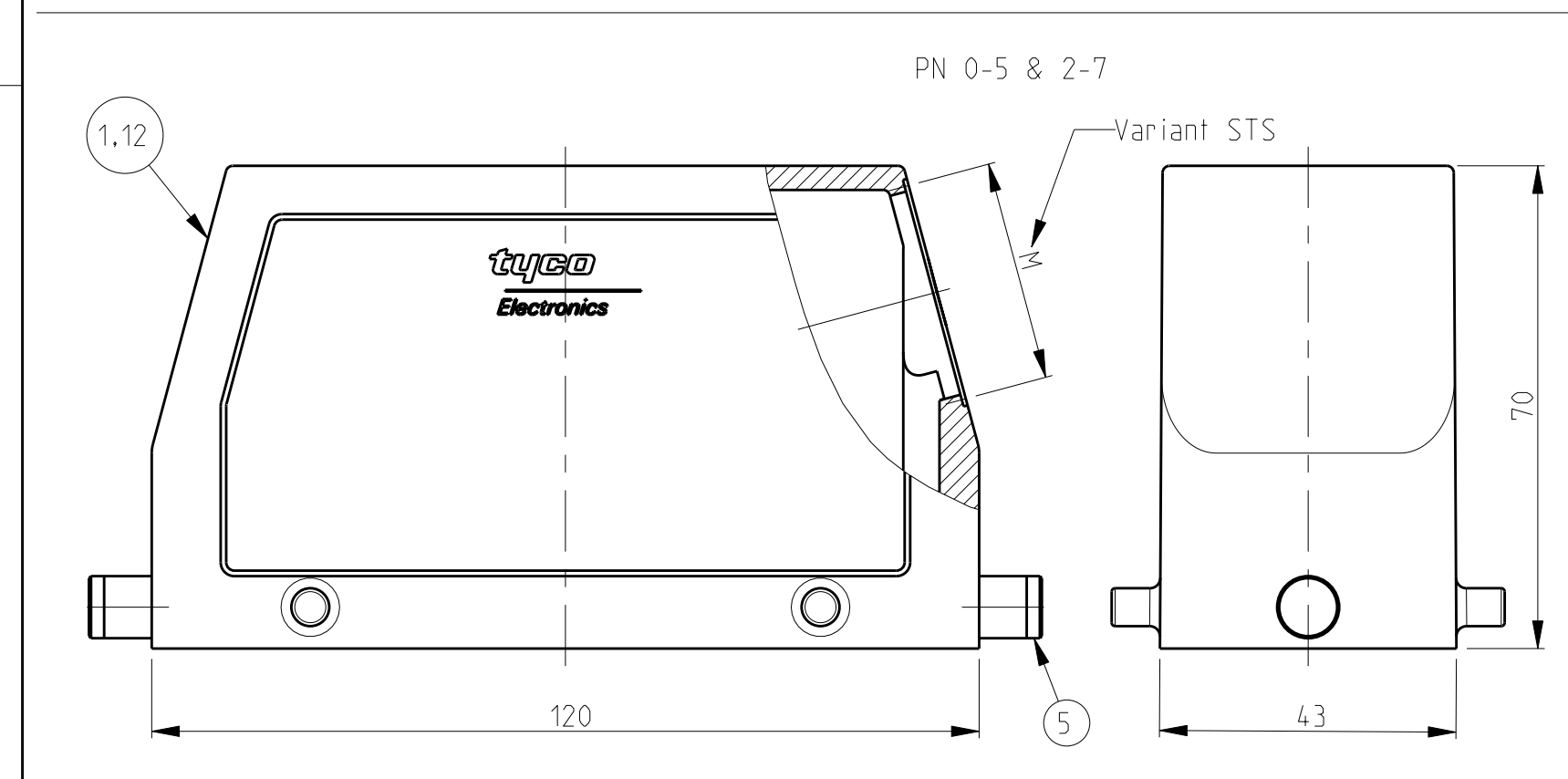
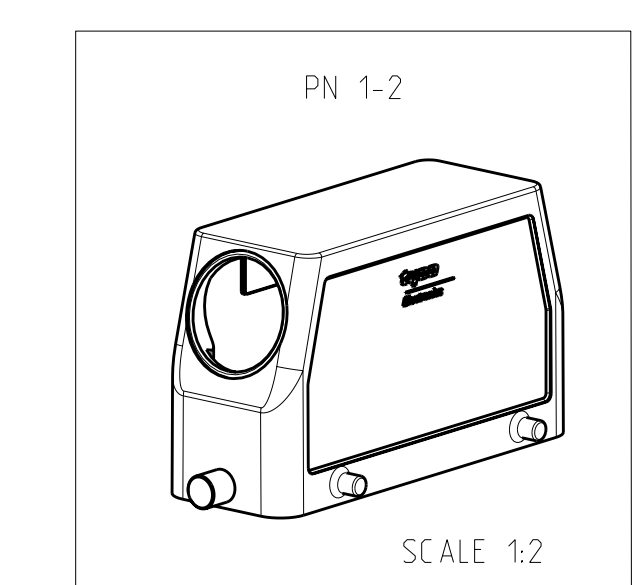
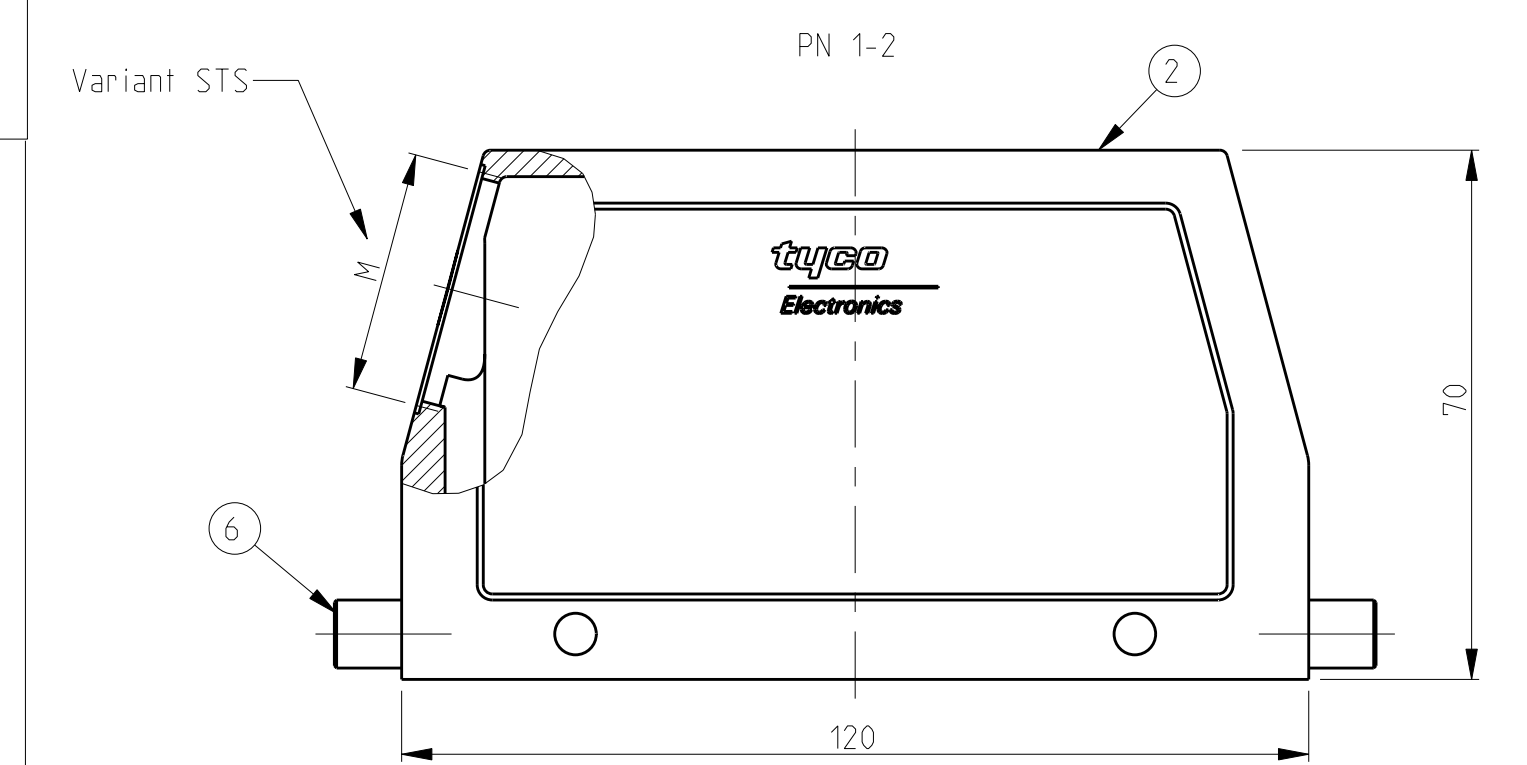
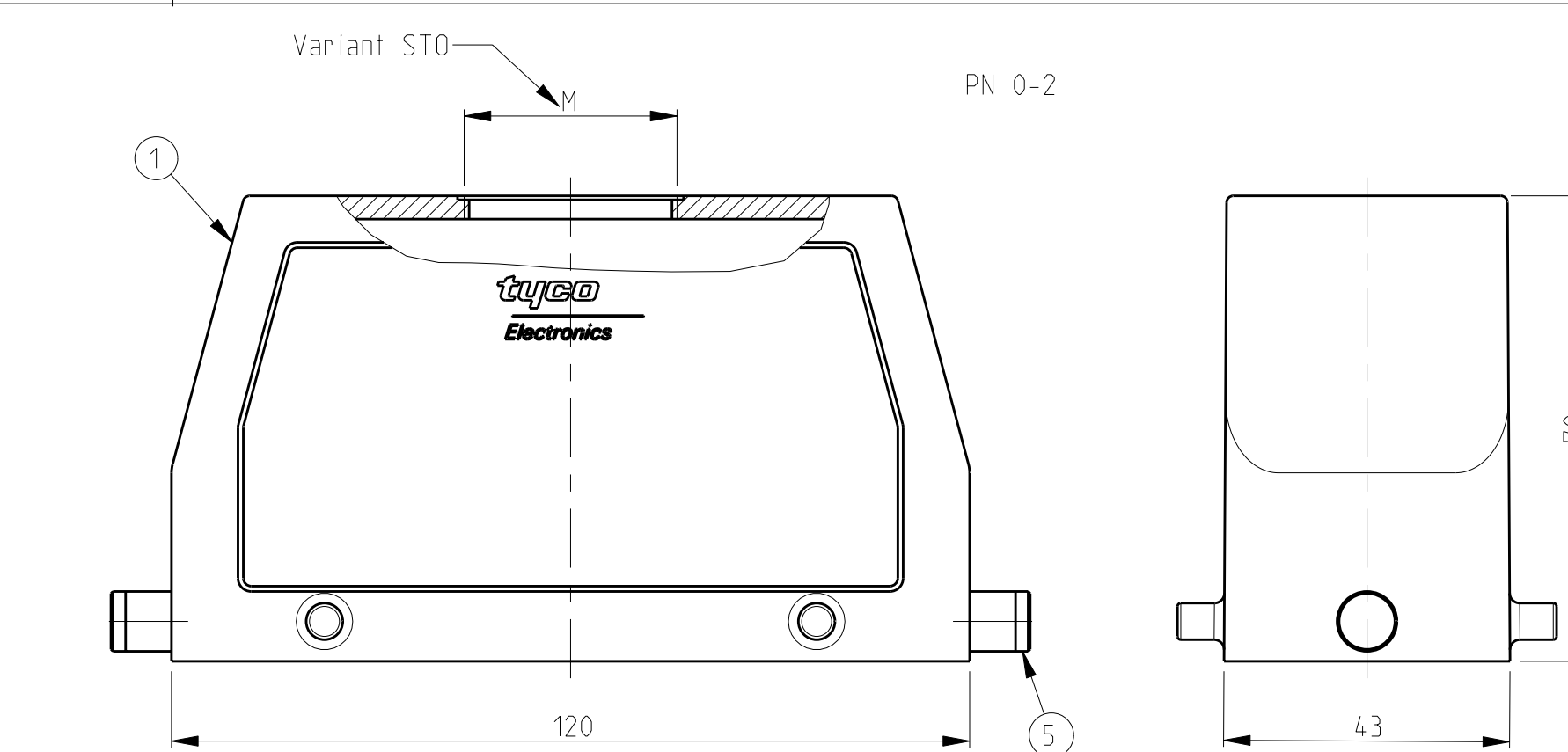
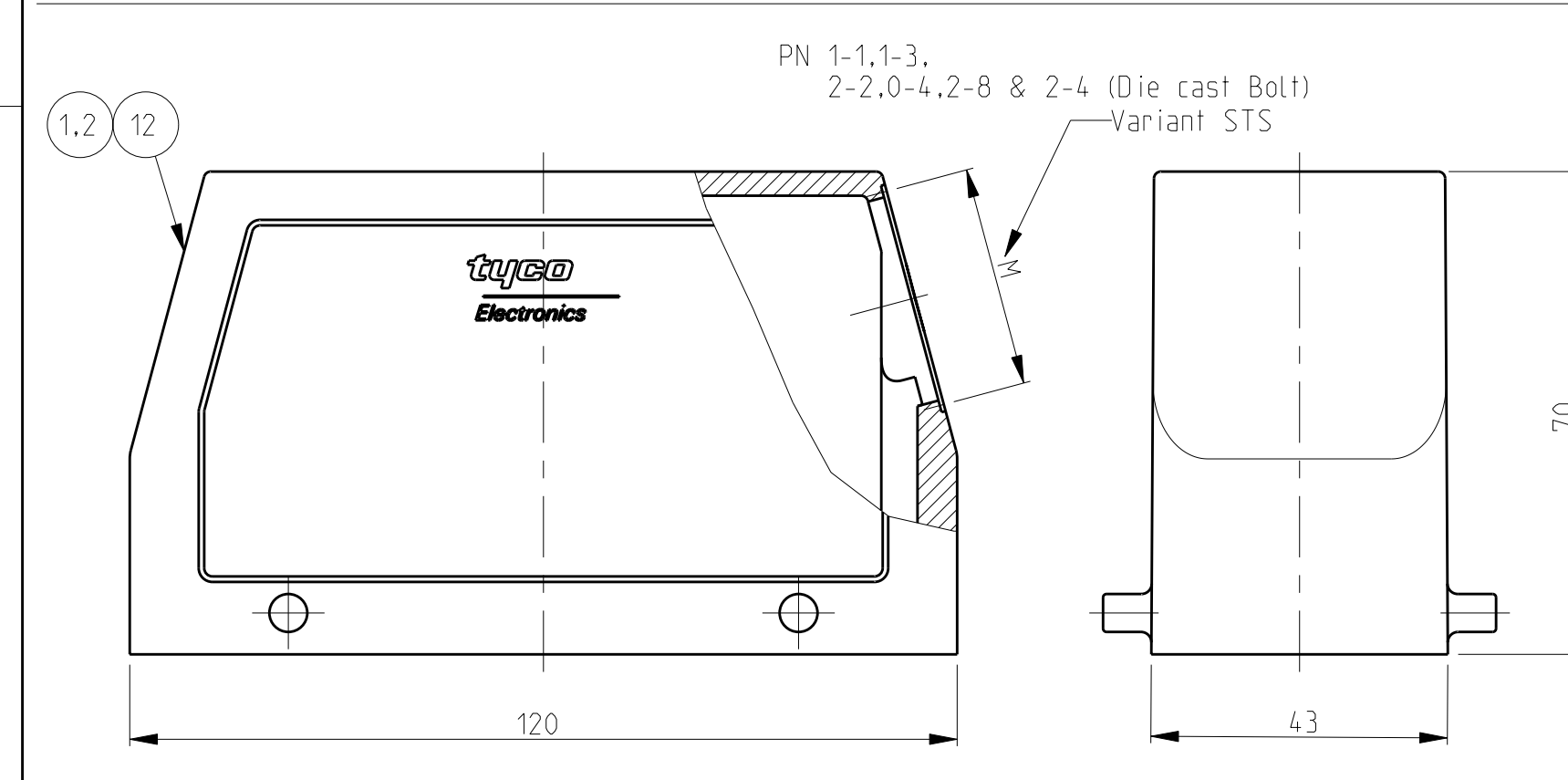


LOC	DIST	REVISIONS			
P	LTB	DESCRIPTION	DATE	DWN	APVD
A12	REVISED	PER ECR-17-014013	14FEB2018	SRG	MKO

NOTES:

- Material:Housing:Aluminium Diecasting Alloy
- Surface:Powder Vannish Grey
-Aluminium Oxide +
-Vannish Black
-Chromit Passivation +
-Vannish Black
- Vannish on the inside not necessary
- Special Packaging
- Packaging
Quantity 5 Pieces in a box



QTY	DESCRIPTION	MATERIAL	SURFACE	COLOR	ITEM NO	NOTES
1	HB-EMV Hood	Aluminium	Aluminium Chromated	Black	12	
1	HB Hood	Aluminium		Grey	11	2xM32
1	ZB Central clip	Stainless Steel	Blank	Blue	10	
1	ZB Central clip	Steel	Zinc Plated	Blue	9	
1	YS Locking clip	Stainless Steel	Blank	Blue	8	
1	YS Locking clip	Steel	Zinc Plated	Blue	7	
1	LB Clip bolt	Stainless Steel	Blank	Blue	6	
1	LB Clip bolt	Steel	Zinc Plated	Blue	5	
1	VS Locking clip bolt	Stainless Steel	Blank	Grey	4	
1	HB-EMV Hood	Aluminium		Grey	1	
1	HB Hood	Aluminium	Aluminium Oxide	Black	2	

DATE: 01.08.2000
DWN: Schneider
CHK: Schwieger
APVD: Schwieger

PRODUCT SPEC: 108-74001
108-74003
APPLICATION SPEC: 114-74001
114-74004

WEIGHT: -
CUSTOMER DRAW ING

SCALE: 1:1 SHEET: 1 OF 1 REV: A12