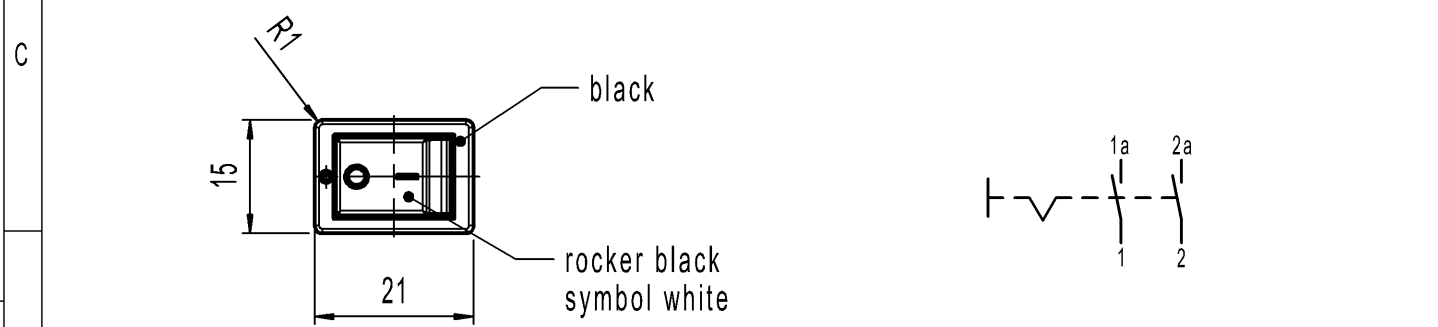
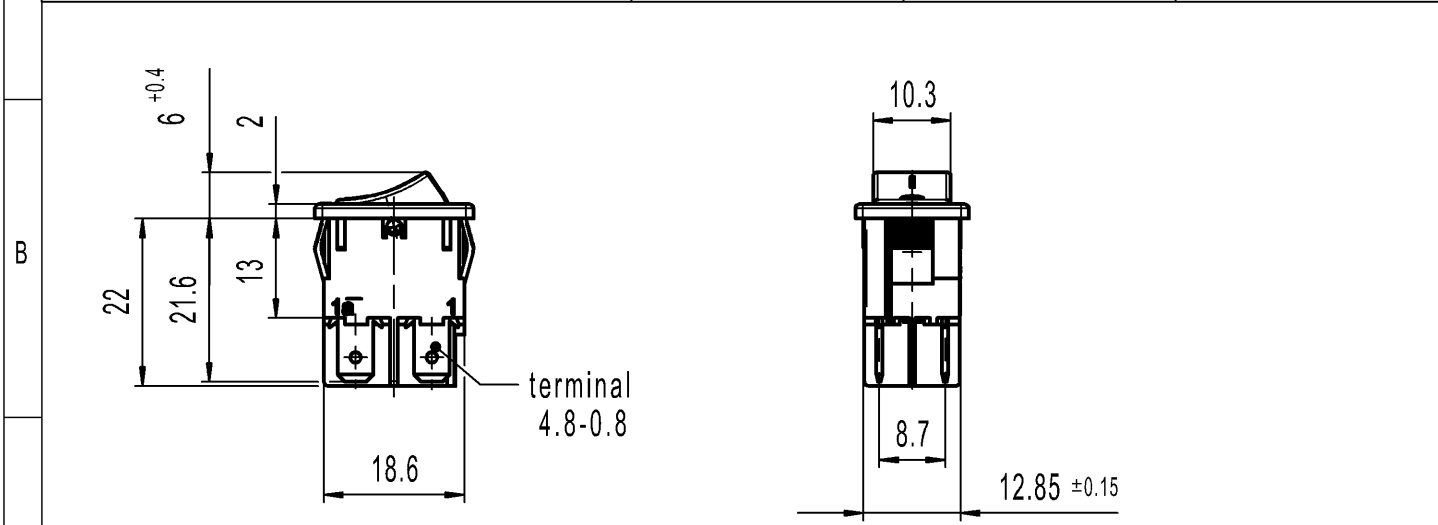


CONFIDENTIAL

VERTRAULICH

THIS DRAWING IS THE EXCLUSIVE PROPERTY OF MARQUARDT. WITHOUT THEIR CONSENT IT MAY NOT BE REPRODUCED OR GIVEN TO THIRD PARTIES.

A	recommended cut-out for snap-in fixing (edge opposite to snap-in direction)	1	2	3	4
		wall thickness	length of cut-out	width of cut-out	
		0.75 to 1.25	19.2 -0.1	12.9+0.1	
		1.25 to 2	19.4 -0.1	12.9+0.1	
		2 to 3	19.8 -0.1	12.9+0.1	



Marking
 (M)
 1858.
 6(4)/250~5E4
 10(4)/250~
 T100/55 cRU US

Code of manufacture: place/year/week

On box: G

DPST
 Suitable for appliance of class II
 Protected according to DIN 40 050, IP40

G= matching IEC 60335-1:2001 clause 30

Alle Rechte bei Marquardt, auch fuer den Fall von Schutzrechtsanmeldungen. Jede Veruegungsbefugnis, wie Kopier- und Weitergaberecht, bei uns.

-	-	-	1858.1113-XX
Figure	Type	Customer Part No.	Art.No.-PI
Shape and location	Angle $\pm 2^\circ$	Sheet 01	Ident. K
	Edge tolerance	Format DIN A4	Document number 18581113
	Length	Projection	Index b
	Radii	Scale 1:1	Appliance Switch
		All dimensions are in millimetres	
b	141198	2022-01-03	
a	86549	2013-11-18	
	81419	2012-11-27	
Index	MEC-No.	Date (YYYY-MM-DD)	
		MOHITEN	System NX V1872
		MUT	Replacement of
		MUT	Zg.gl.Nr.v.27.11.2012
		Edited by	