

# Datasheet SHT41 BOB

Humidity and Temperature Sensor

Version 1.0

- Fully calibrated, linearized, and temperature compensated digital output
- Wide supply voltage range, from 1.08V to 3.6V
- Average current: 0.4  $\mu$ A (at meas. rate 1 Hz)
- Idle current: 80 nA
- Operating range: 0...100 %RH, -40...125  $^{\circ}$ C
- Typical accuracy of  $\pm 1.8\%$ RH and  $\pm 0.2^{\circ}$ C
- Very fast startup and measurement time

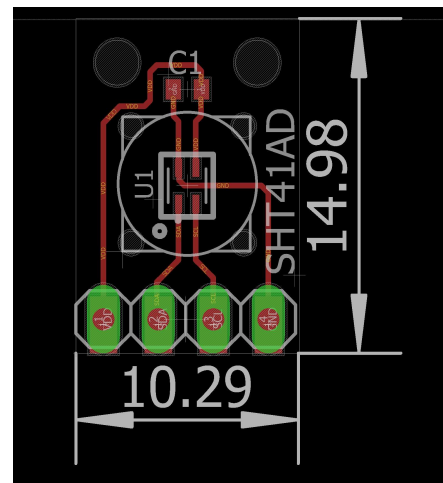
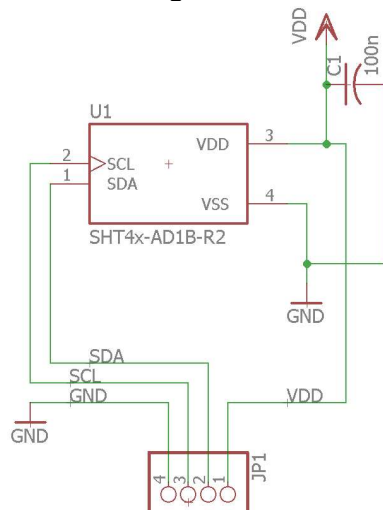
## General Description

SHT4x is a digital sensor platform for measuring relative humidity and temperature at different accuracy classes. The I2C interface provides several preconfigured I2C addresses and maintains an ultra-low power budget. The power-trimmed internal heater can be used at three heating levels thus enabling sensor operation in demanding environments. The four-pin dual-flat-no-leads package is suitable for surface mount technology (SMT) processing.

### SHT41 BOB module features:

- Very small – only 10.5 x 15mm
- Standard 0.1" headers for output pins
- Preconfigured for I2C address 0x44

### Schematic diagram and board dimensions of SHT41 BOB



For more details please refer to the SHT41-AD1B-R2 datasheet: [SHT41-AD1B Datasheet](#)