

4

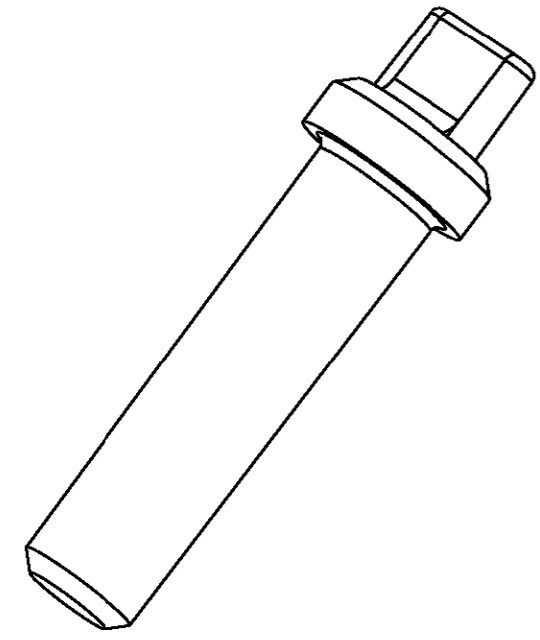
3

2

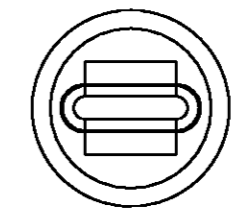
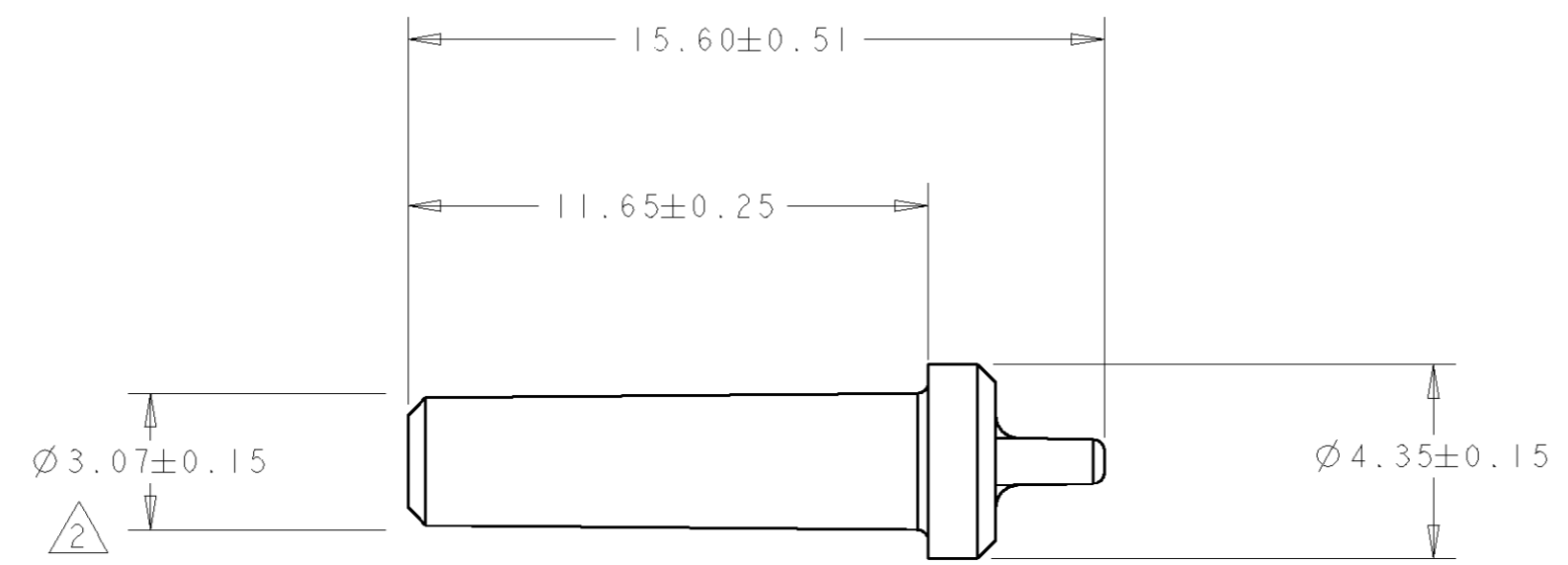
1

THIS DRAWING IS UNPUBLISHED. RELEASED FOR PUBLICATION .19 .
 © COPYRIGHT 19 BY AMP INCORPORATED. ALL RIGHTS RESERVED.

LOC	DIST	REVISIONS			
P	LTR	DESCRIPTION	DATE	DWN	APVD
GE	00	0	RELEASED PER NPR 00-50	30AUG2000	RG GM



1 MATERIAL: PBT COLOR: YELLOW
 2 THIS DIAMETER IS A SEALING SURFACE AND THE FOLLOWING SURFACE DEFECTS ARE NOT ACCEPTABLE: TOOL LINES, WITNESS LINES, WELD LINES, HAIR LINE CRACKS, STAINS, AND SCORES.



PART NUMBER
776363-1

THIS DRAWING IS A CONTROLLED DOCUMENT FOR AMP INCORPORATED. IT IS SUBJECT TO CHANGE AND THE CONTROLLING ENGINEERING ORGANIZATION SHOULD BE CONTACTED FOR THE LATEST REVISION.		DWN R. GREINER	15AUG2000	Tyco Electronics Harrisburg, PA 17105-3608
DIMENSIONS: mm		CHK R. GREINER	15AUG2000	
		APVD G. MARPOF	15AUG2000	
TOLERANCES UNLESS OTHERWISE SPECIFIED:		PRODUCT SPEC		NAME SEALING PLUG SIZE 16 CAVITY
0 PLC ±- 1 PLC ±0.3 2 PLC ±0.13 3 PLC ±- 4 PLC ±- ANGLES ±- ±2		APPLICATION SPEC		SIZE A3
MATERIAL -		WEIGHT -		CAGE CODE 00779
FINISH -		CUSTOMER DRAWING		DRAWING NO 776363
				SCALE 6:1
				SHEET 1
				OF 1
				REV 0