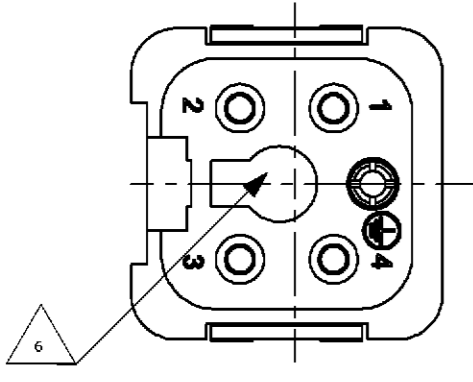


LOC	DIST	REVISIONS ÄNDERUNGEN					
AI	-	P	LTR	DESCRIPTION BESCHREIBUNG	DATE	DWN	APVD
PROJECT NR.	-	C1		PRINTING CORRECTED ECR-06-021058	01.09.2006	SR	SM
		C2		ECR-10-000005	09FEB10	RK	SRE

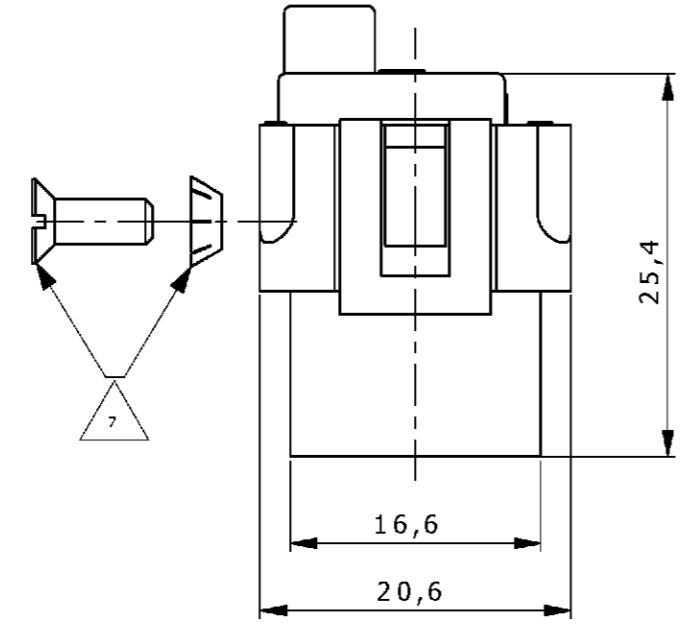
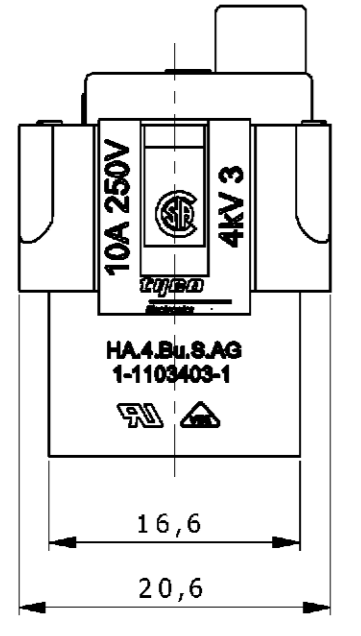
NOTES

- 1 CONTACT: 1 TO 4
SUITABLE SCREW CONTACTS: SERIES HA.3
OUTER DIMENSIONS OF INSULATION: MAX. Ø3,4 MM
- 2 GROUNDING CONTACT:
SUITABLE SCREW CONTACTS: SERIES HA.4
OUTER DIMENSIONS OF INSULATION: MAX. Ø3,4 MM
- 3 SUITABLE HOOD SIZE 1: SERIES HA; HD; EMV AND HIP
- 4 SUITABLE INSERTION AND EXTRACTION TOOL:
SCREWDRIVER 2,0x65
- 5 STANDARDS:
DIN EN 61984; DIN EN 60664-1
- 6 POLARIZATION RIPS
- 7 POS. 8 AND POS.9 PACKED SEPARATE IN POLY BAG
- 8 AUTHORIZATION: UL; CSA; VDE; SEV
- 9 PACKAGING:
10 SETS IN A CARTON, PRE-MOUNTED

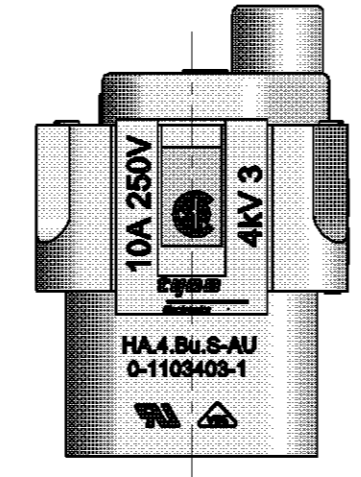
CONTACT ARRANGEMENT
VIEW FROM CONNECTING SIDE



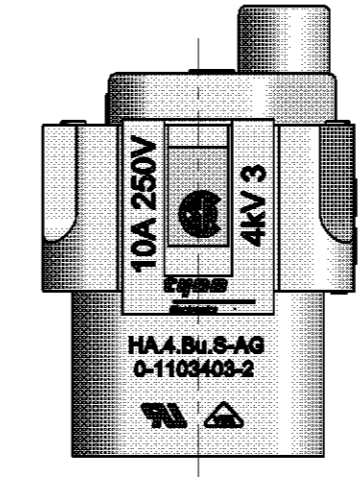
LATERAL PRINT
PN 1-1



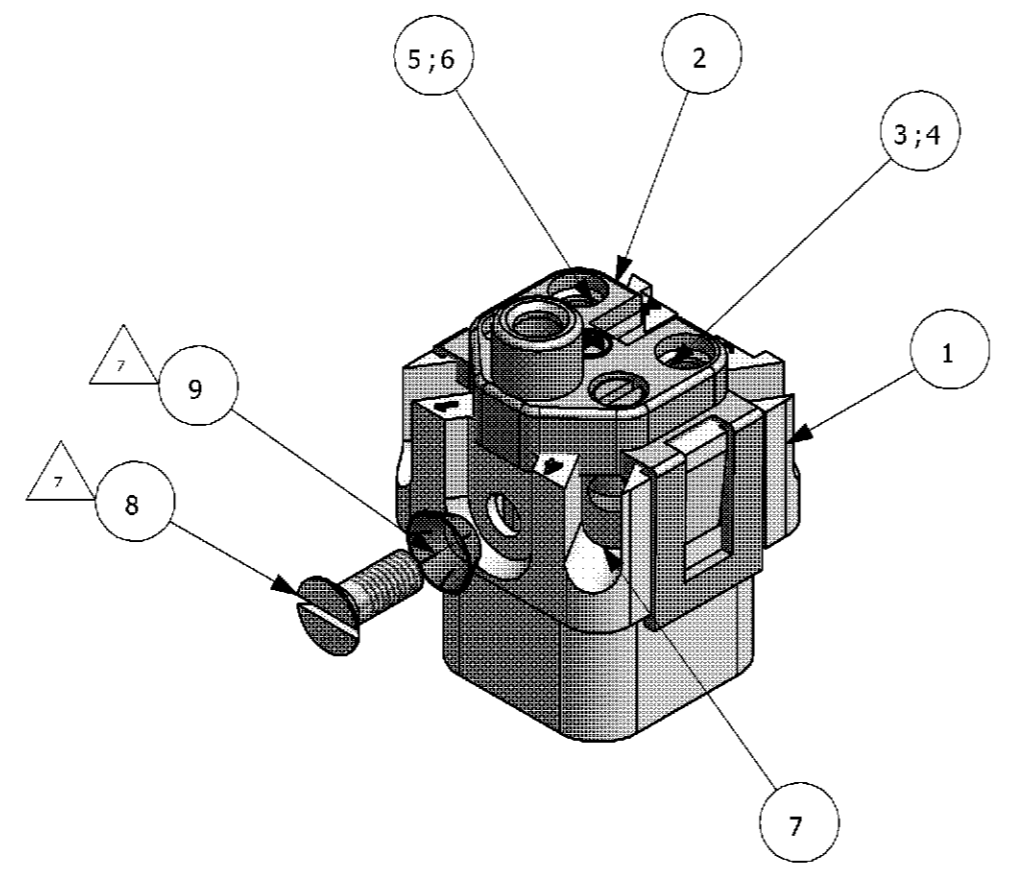
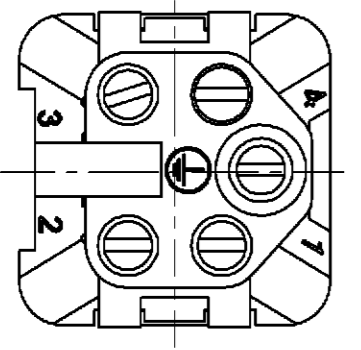
LATERAL PRINT
PN 0-1



LATERAL PRINT
PN 0-2



CONTACT ARRANGEMENT
VIEW FROM TERMINATION SIDE



OBSOLETE		DESCRIPTION	MATERIAL	COLOR	SURFACE	ITEM	NOTES
1	1	SPRING WASHER	STEEL		ZINK PLATED	9	V3.2
1	1	SLOTTED COUNTER FLAT HEAD SCREW	STEEL		ZINK PLATED	8	M3x8
5	5	SLOTTED CHEESE HEAD SCREW	BRASS		NICKEL PLATED	7	M3x5.5
1		CONTACT SOCKET	BRASS		GOLD PLATED	6	
1	1	CONTACT SOCKET	BRASS		SILVER PLATED	5	
4		CONTACT SOCKET	BRASS		GOLD PLATED	4	
4	4	CONTACT SOCKET	BRASS		SILVER PLATED	3	
1	1	COVER	LEXAN	BEIGE		2	
1	1	MALE INSERT	LEXAN	BEIGE		1	
0-2	0-1	1-1					
		HA.4.Bu.S					
		HA.4.Bu.S-Au					
		HA.4.Bu.S					

THIS DRAWING IS A CONTROLLED DOCUMENT FOR AMP INCORPORATED. IT IS SUBJECT TO CHANGE AND THE CONTROLLING ENGINEERING ORGANIZATION SHOULD BE CONTACTED FOR THE LATEST REVISION. DIESSES ZEICHNUNGS-DOKUMENT WIRD DURCH AMP INCORPORATED KONTROLLIERT. ÄNDERUNGEN, DIE DEM TECHNISCHEN FORTSCHRITT ÜBEREN, SIND VORZUHALTEN. DEN VEREINBARTETEN TECHNISCHEN ÄNDERUNGSSTUFEN BEFOLGEN SIE AMP ANFANG.

DIMENSIONS: DIMENSIONEN: m m

TOLERANCES UNLESS OTHERWISE SPECIFIED: ALLGEMEIN-TOLERANZEN
 m: ISO 8013 - m H-E
 m: ISO 2768 - m H-E
 m: DIN 16981 - 140

0 PLC #
 1 PLC #
 2 PLC #
 3 PLC #
 ANGLES / WINKEL #

MATERIAL FINISH / OBERFLÄCHE / FARBE WEIGHT / GEWICHT

DWN H.BRAUN 29.07.1997
 CHK KRAMER 29.07.1997
 APVD T.SCHNURPFEL 28.03.2006
 PRODUCT SPEC. / PRODUKTSPEZ. 108-74008
 APPLICATION SPEC. / VERARBEITUNGSSPEZ. 114-74010

NAME: FEMALE INSERT
 HA.4.BU.S

SIZE: A2 CAGE CODE: 00779 DRAWING NO. / ZEICHNUNGS-NR.: 1103403 RESTRICTED TO NUR FÜR

CUSTOMER DRAWING / KUNDENZEICHNUNG SCALE: 1:1 SHEET: 1 OF: 1 REV.: C2