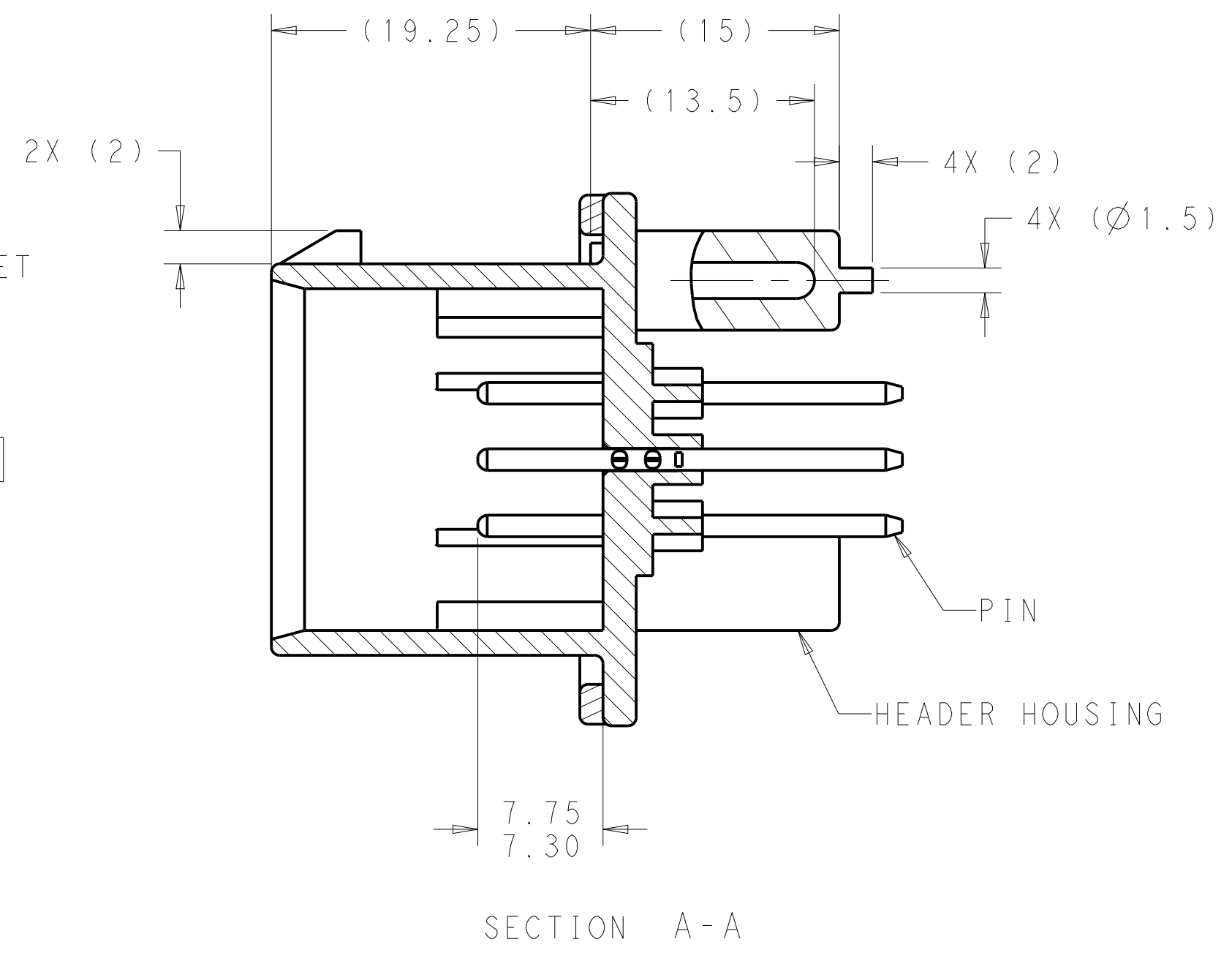
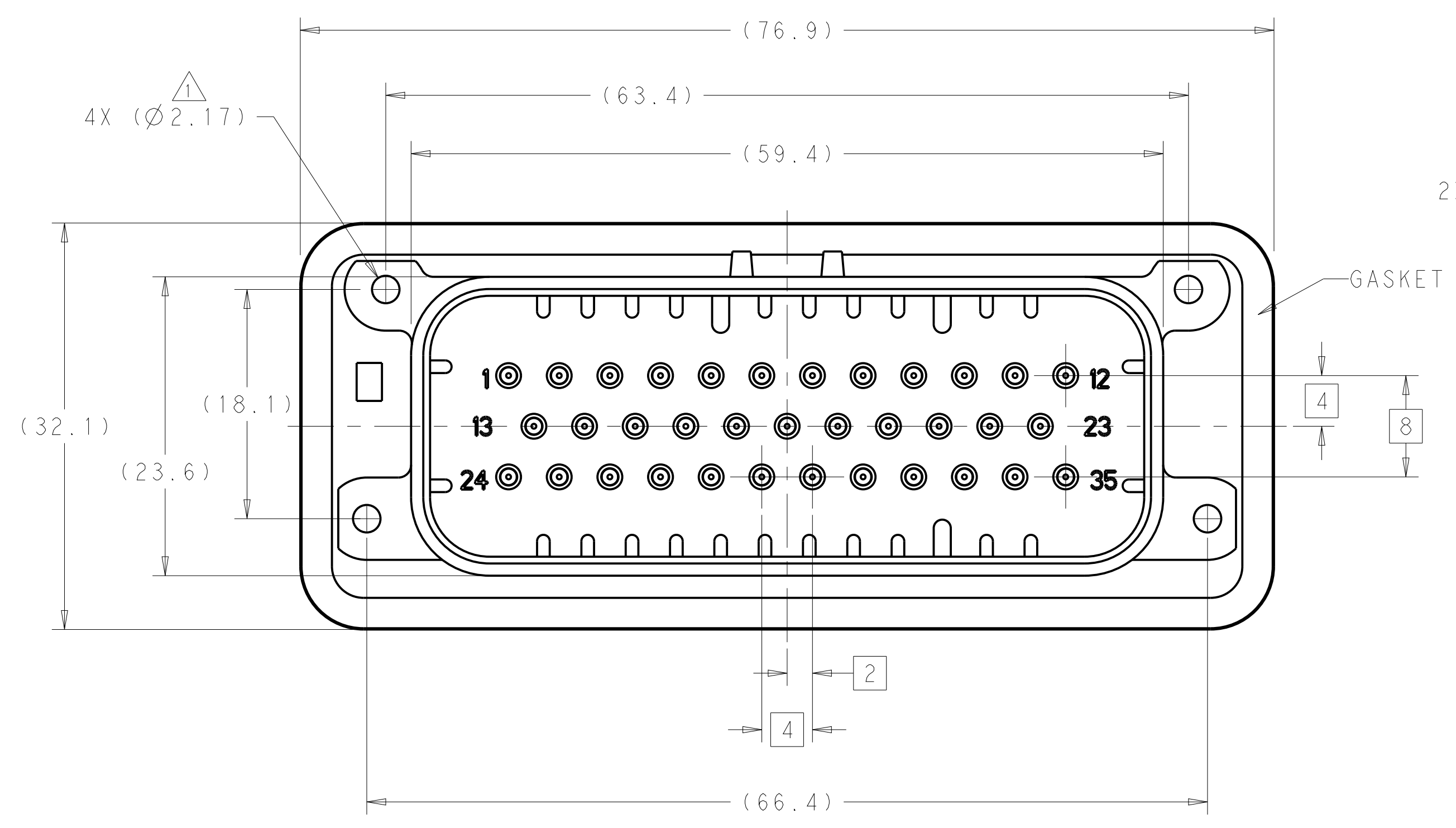
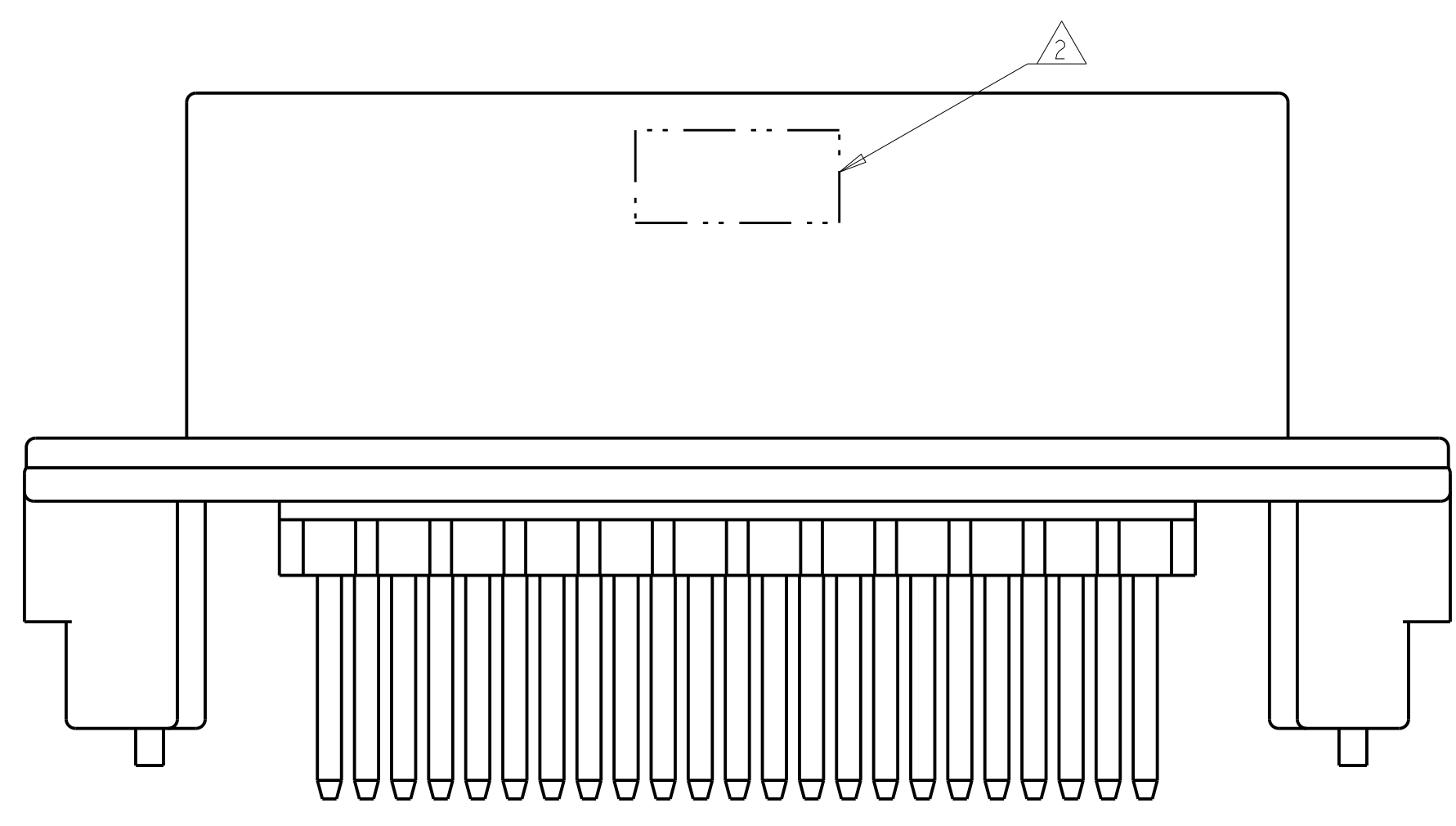


| REVISIONS |     |                           |           |       |
|-----------|-----|---------------------------|-----------|-------|
| P.        | LTN | DESCRIPTION               | DATE      | APP'D |
| A6        |     | REVISED PER ECO-12-009257 | 29MAY2012 | DD DS |
| A7        |     | REVISED PER ECO-13-019501 | 12DEC2013 | DD DS |
| A8        |     | REVISED PER ECO-14-009938 | 02JUL2014 | DD DS |



- 1 ACCEPTS #4 SELF TAPPING THREAD FORMING SCREWS OR METRIC EQUIVALENT. DRIVE TO 0.4 N-m MINIMUM
- 2 DATE CODE IN THIS LOCATION USING 5 DIGIT CODE FIRST 2 DIGITS = YEAR, SECOND 2 DIGITS = WEEK LAST DIGIT = DAY.
- 3 MATERIALS: HEADER HOUSING - GLASS FILLED PBT  
PINS - TIN OR GOLD PLATED BRASS  
GASKET - SILICONE
- 4 HOUSING COLORS ARE MECHANICALLY KEYED TO MATE ONLY WITH IDENTICALLY COLORED PLUG ASSEMBLIES.
- 5. HEADER MATES TO PLUG ASSEMBLY 776164 WHICH USES REELED TERMINAL 770520 OR LOOSE PIECE TERMINAL 770854

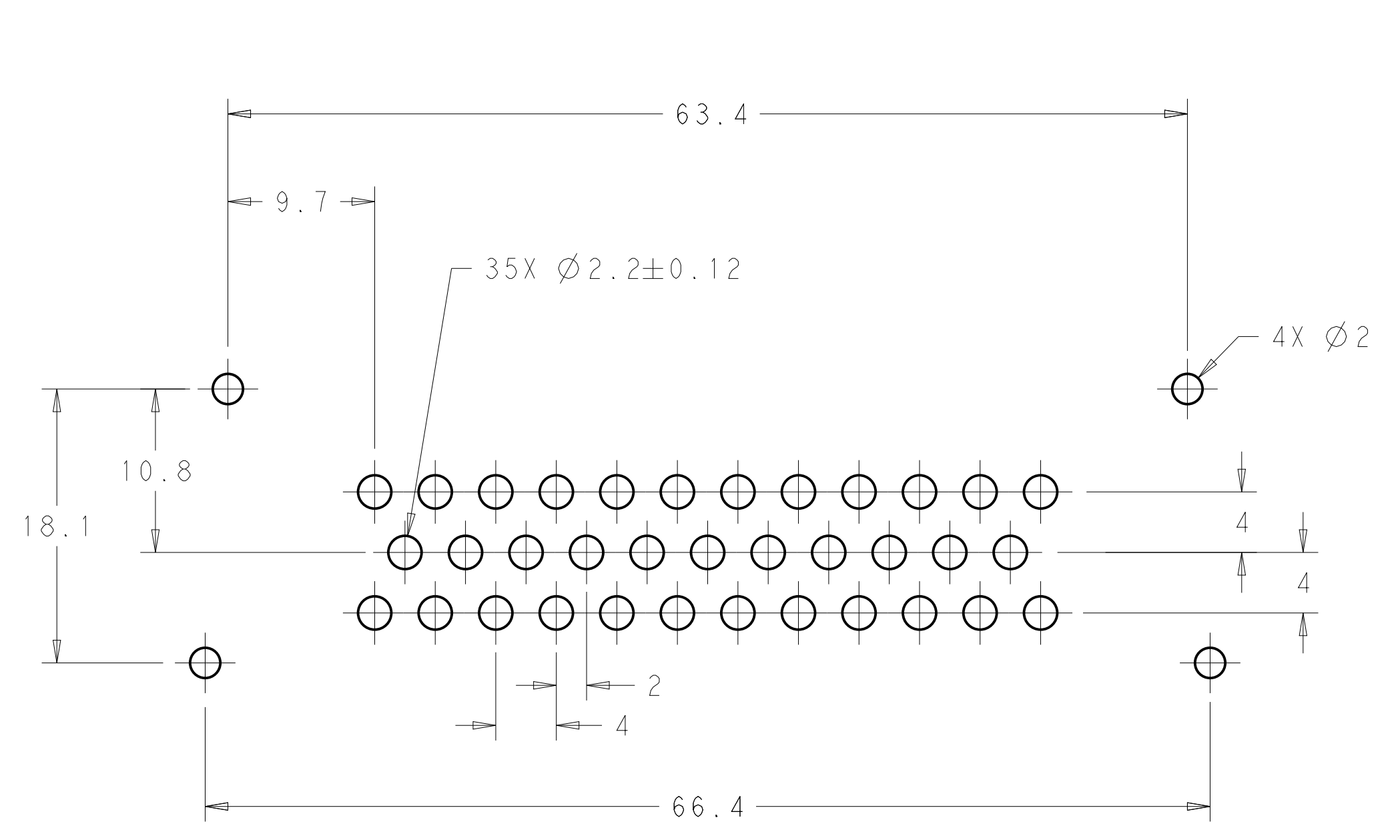


776231-1 & 1-776231-1 SHOWN

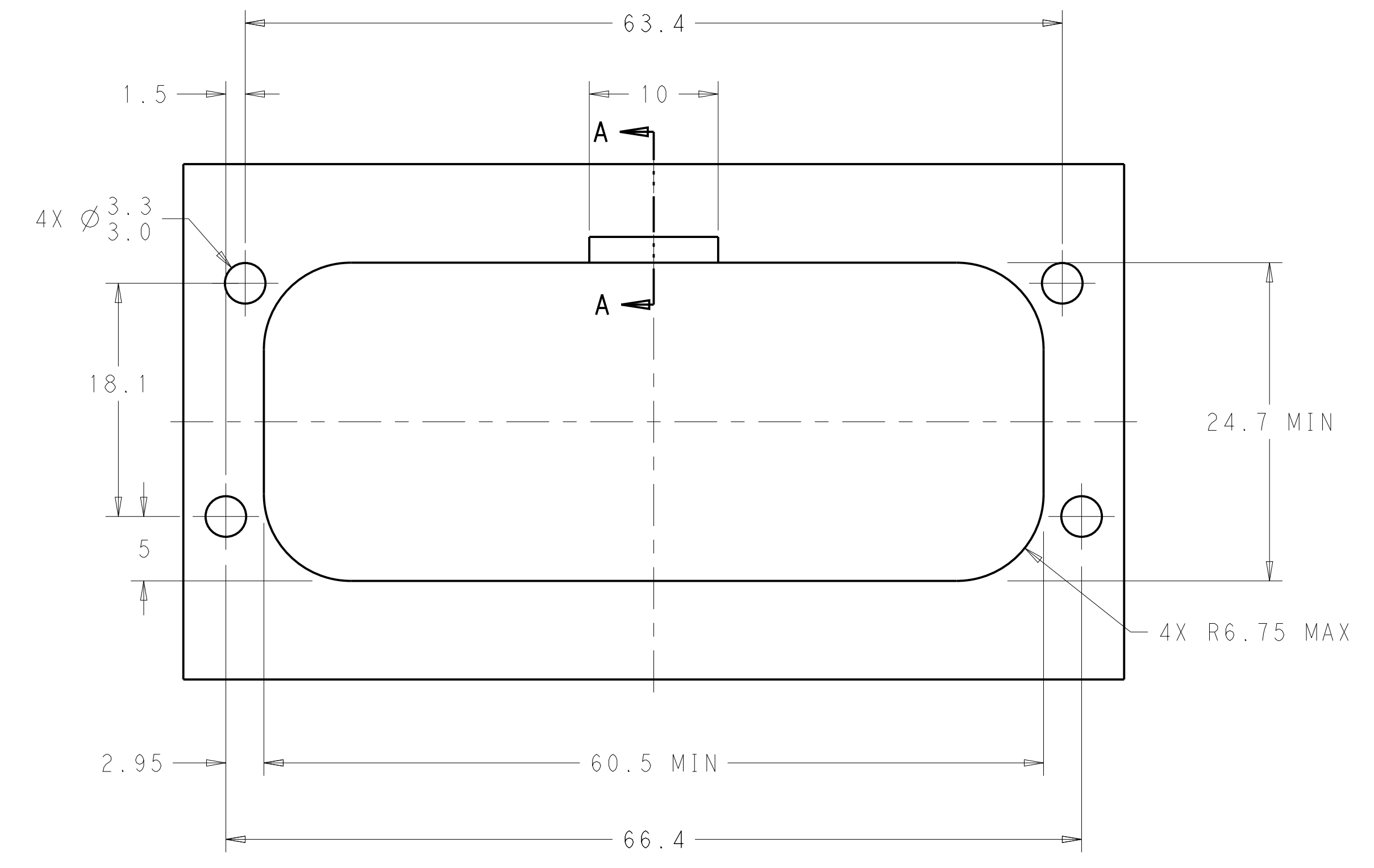
| HEADER COLOR | PLATING  | PART NUMBER |
|--------------|----------|-------------|
| ORANGE       | DURAGOLD | 1-776231-6  |
| BLUE         | DURAGOLD | 1-776231-5  |
| GRAY         | DURAGOLD | 1-776231-4  |
| NATURAL      | DURAGOLD | 1-776231-2  |
| BLACK        | DURAGOLD | 1-776231-1  |
| BLUE         | TIN      | 776231-5    |
| GRAY         | TIN      | 776231-4    |
| NATURAL      | TIN      | 776231-2    |
| BLACK        | TIN      | 776231-1    |

|  |  |   |   |                  |
|--|--|---|---|------------------|
| THIS DRAWING IS A CONTROLLED DOCUMENT. |  | OWN: D. STRAUSSER 05MAR2010<br>CHK: D. STRAUSSER 22MAR2010<br>APP'D: D. STRAUSSER 27APR2010 |   |                  |
| DIMENSIONS: mm                         | TOLERANCES UNLESS OTHERWISE SPECIFIED: | PRODUCT SPEC: 108-1329  | NAME: ASSEMBLY, HEADER, 35 POSITION, VERTICAL, AMPSEAL WITH FLANGE SEAL |                  |
| 0 PLC ±0.2                             | 1 PLC ±0.13                            | APPLICATION SPEC: 114-16016   | SIZE: A1  | CAGE CODE: 00779 |
| 2 PLC ±0.13                            | 3 PLC ±0.13                            | WEIGHT: -   | DRAWING NO: 776231  |                  |
| 4 PLC ±0.13                            | ANGLES ±0.4°                           | CUSTOMER DRAWING  | SCALE: 3:1  | SHEET 1 OF 2     |
| MATERIAL: 3                            | FINISH: 3                              | REV: A8   |   |                  |

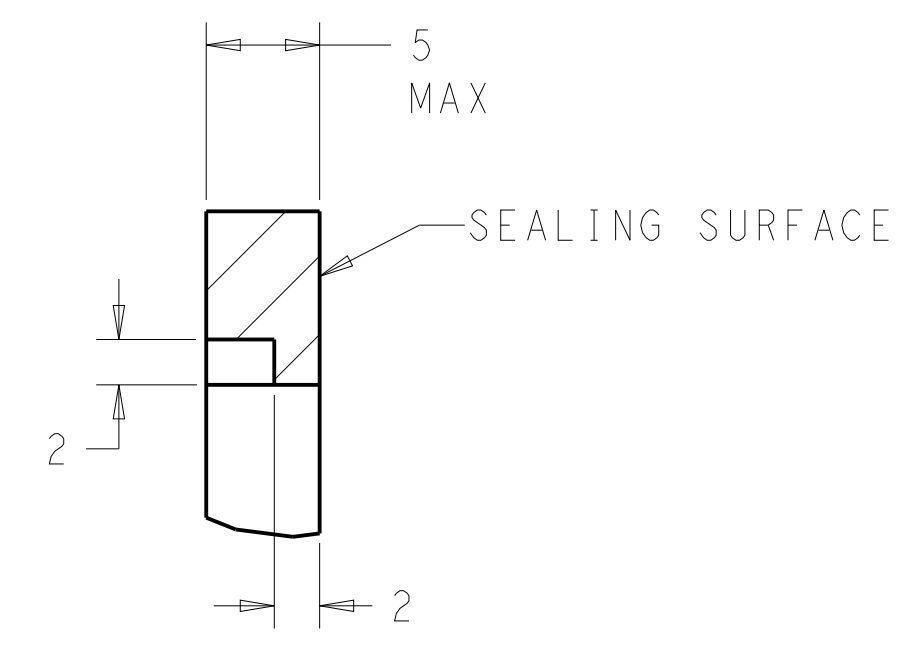
| REVISIONS |     |             |      |      |
|-----------|-----|-------------|------|------|
| P.        | LTH | DESCRIPTION | DATE | APVD |
| -         | -   | SEE SHEET 1 | -    | -    |
|           |     |             |      |      |
|           |     |             |      |      |



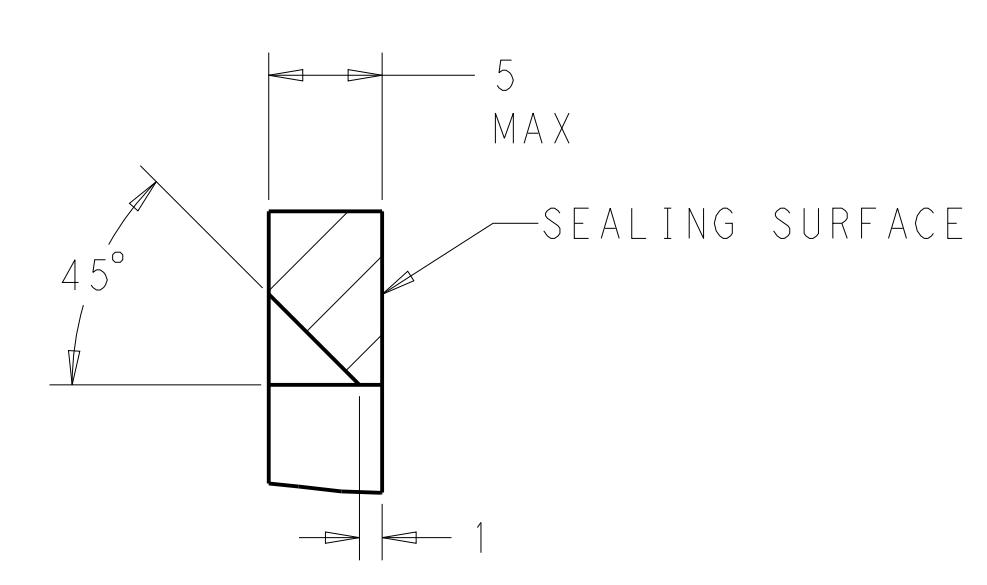
RECOMMENDED P.C. BOARD LAYOUT FOR 1.57 THICK P.C. BOARD



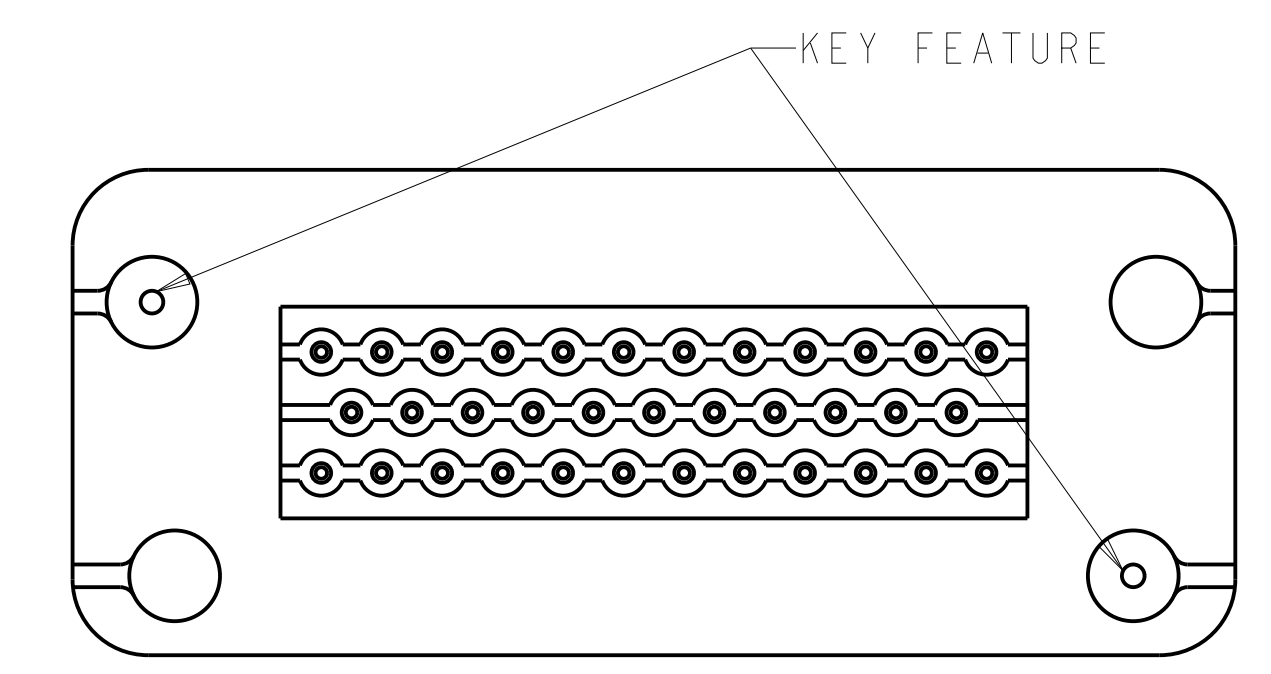
RECOMMENDED MOUNTING HOLE LAYOUT FOR 5.0 MAX THICK PANEL



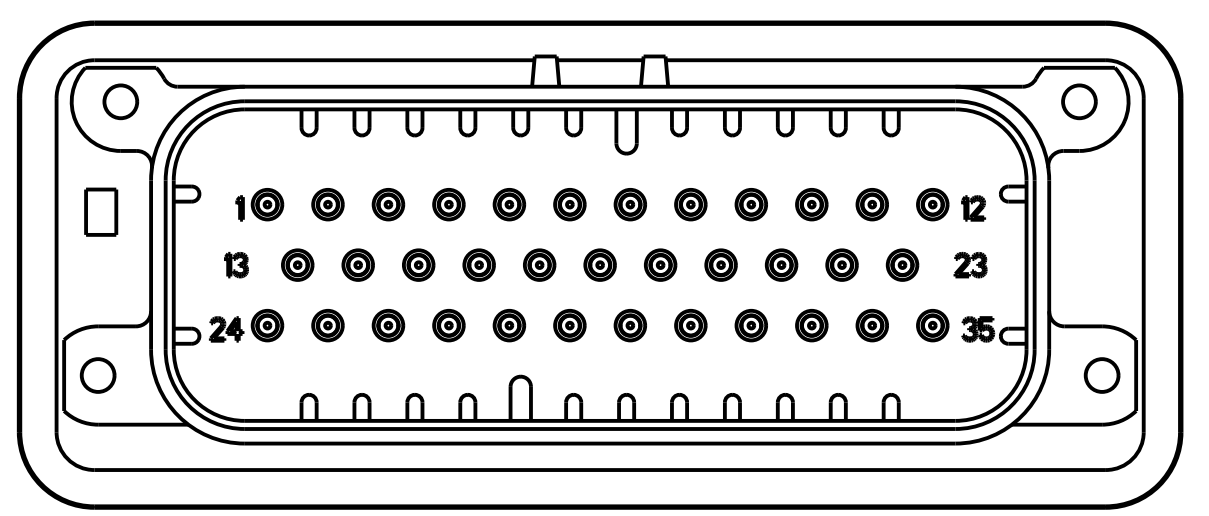
SECTION A-A  
OPTIONAL CONSTRUCTION IF PANEL THICKNESS IS GREATER THAN 2.0



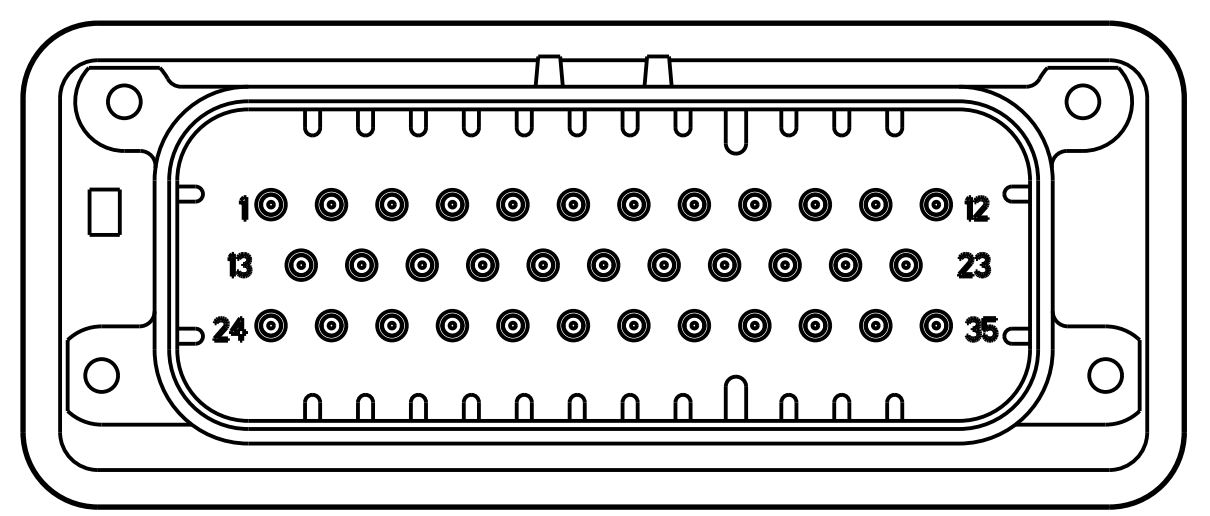
SECTION A-A  
OPTIONAL CONSTRUCTION IF PANEL THICKNESS IS GREATER THAN 2.0



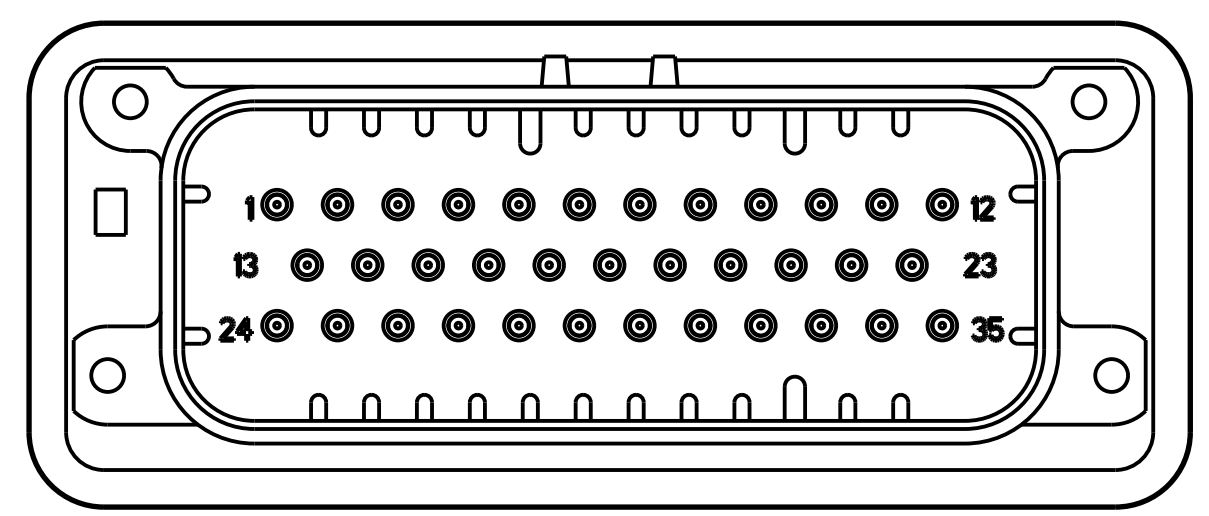
KEYING FOR 776231-1 1-776231-1, 776231-4, 1-776231-4 AND 1-776231-6  
SCALE 2:1



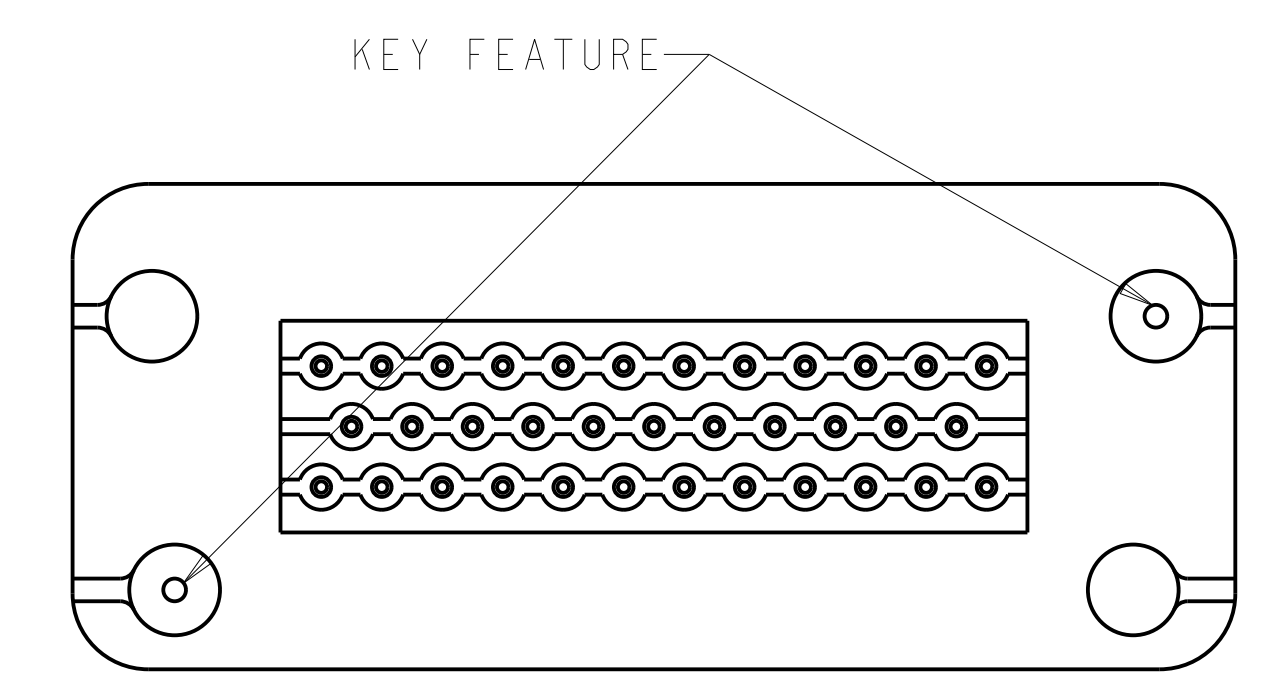
776231-2 & 1-776231-2  
KEY LOCATION  
SCALE 2:1



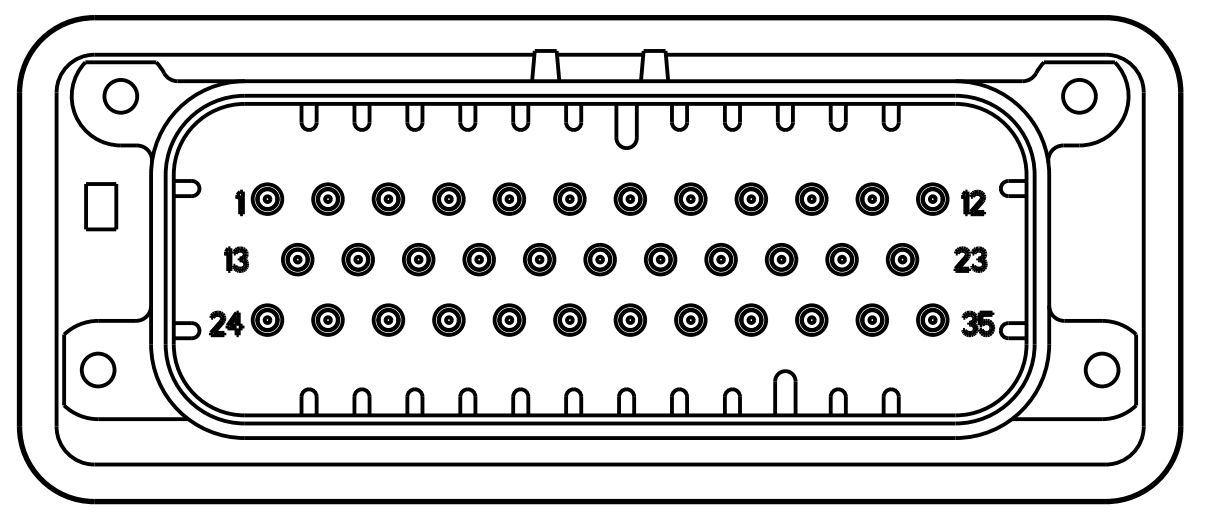
776231-4 & 1-776231-4  
KEY LOCATION  
SCALE 2:1



776231-5 & 1-776231-5  
KEY LOCATION  
SCALE 2:1



KEYING FOR 776231-2, 1-776231-2, 776231-5 AND 1-776231-5  
SCALE 2:1



1-776231-6  
KEY LOCATION  
SCALE 2:1

|   |  |  |   |
|---|--|--|---|
| THIS DRAWING IS A CONTROLLED DOCUMENT.                                  |  | OWN: D. STRAUSSER 05MAR2010  | TE Connectivity   |
| DIMENSIONS: mm  |  | CHK: D. STRAUSSER 22MAR2010  |   |
| TOLERANCES UNLESS OTHERWISE SPECIFIED:                                  |  | APVD: D. STRAUSSER 27APR2010   | NAME: ASSEMBLY, HEADER, 35 POSITION, VERTICAL, AMPSEAL WITH FLANGE SEAL |
| 0 PLC ±<br>1 PLC ±0.2<br>2 PLC ±0.13<br>3 PLC ±<br>4 PLC ±<br>ANGLES ±° |  | PRODUCT SPEC: 108-1329<br>APPLICATION SPEC: 114-16016<br>WEIGHT: -<br>CUSTOMER DRAWING |   |
| MATERIAL: -   |  | FINISH: -  | SIZE: A1<br>CAGE CODE: 776231<br>SCALE: 2:1 SHEET 2 OF 2 REV: A8        |