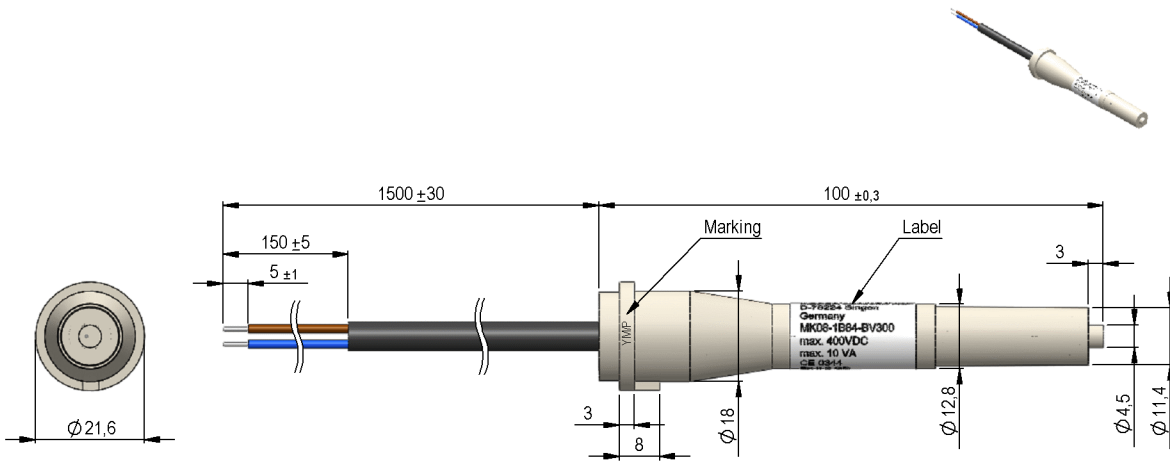


**Dimensions mm[inch]**  
 tolerances acc. to DIN ISO 2768-m  
 Toleranzen gem. DIN ISO 2768-m

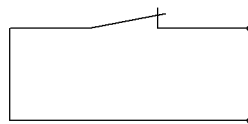
**Isometric**  
 Scale 1:5  
 Maßstab 1:5



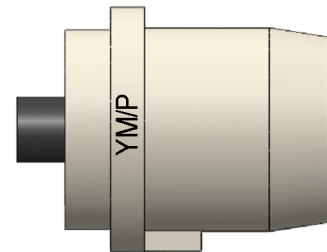
**Cable**  
 round cable H05RN-F 2x0.75 mm<sup>2</sup>, black  
 colour of wires: brown and blue  
 Rundkabel H05RN-F 2x0,75 mm<sup>2</sup>; schwarz  
 Aderfarben: braun und blau

**Terminals**  
 ends tinned  
 Enden verzinkt

**Schematic**



**Marking**  
 according to EN60062/factory code  
 gem. EN60062/Fertigungsstätte



**Label**

MEDER electronic AG  
 78224 Singen  
 Germany  
 MK08-1B84-BV300  
 max. 400 VDC  
 max. 10 VA

**CE** 0344

**Ex** II 2 GD

Ex mb II T6  
 Ex tD A21 IP65 T85°C  
 KEMA 00ATEX 1112 X  
 IECEx KEM09.0006X



Europe: +49 / 7731 8399 0 | Email: info@meder.com  
 USA: +1 / 508 295 0771 | Email: salesusa@meder.com  
 Asia: +852 / 2955 1682 | Email: salesasia@meder.com

Item No.:  
**2280842300**  
 Item:  
**MK08-1B84-BV300**

*Products for tomorrow...*

| Magnetic properties | Conditions | Min    | Typ | Max | Unit |
|---------------------|------------|--------|-----|-----|------|
| Pull-In             | at 20 °C   | 22     |     | 48  | AT   |
| Test equipment      |            | KMS-18 |     |     |      |

| Contact data 75              | Conditions  | Min | Typ | Max | Unit |
|------------------------------|---|-----|-----|-----|------|
| Contact rating               | Any DC combination of V & A not to exceed their individual max.'s |     |     | 10  | W    |
| Switching voltage (<31 AT)   | DC or Peak AC   |     |     | 400 | V    |
| Switching current            | DC or Peak AC   |     |     | 0,5 | A    |
| Carry current                | DC or Peak AC   |     |     | 1   | A    |
| Contact resistance static    | Measured with 40% overdrive Start Value                           |     |     | 150 | mOhm |
| Insulation resistance        | RH <45 %, 100 V test voltage                                      | 10  |     |     | GOhm |
| Breakdown voltage (20-30 AT) | according to IEC 255-5  | 400 |     |     | VDC  |
| Operate time incl. bounce    | measured with 40% overdrive                                       |     |     | 0,5 | ms   |
| Release time                 | measured with no coil excitation                                  |     |     | 0,1 | ms   |
| Capacity                     | @ 10 kHz across open switch                                       |     | 0,4 |     | pF   |

| Special Product Data | Conditions                  | Min  | Typ | Max | Unit |
|----------------------|-----------------------------|--|-----|-----|------|
| Contact - form       |                             | B - NC   |     |     |      |
| Sensor-resistance    | measured with 40% overdrive |  |     | 300 | mOhm |
| Housing material     |                             | Makrolon 2805 grey, Bayer AG D-51368 Leverkusen,                                       |     |     |      |
| Housing material     |                             | Polycarbonat   |     |     |      |
| Sealing compound     |                             | 1. Silikon RTV627 INDEG GmbH Emil-Kömmerling-Str. 5, D-66954 Pirmasens                 |     |     |      |
| Sealing compound     |                             | Colour: dark grey; useful temperature range: -60 to 204 °C                             |     |     |      |
| Sealing compound     |                             | Mixing: RTV627A base component and   |     |     |      |
| Sealing compound     |                             | RTV627B curing agent in 1:1 ratio by weight or vol.                                    |     |     |      |
| Sealing compound     |                             | Operate temperature: 21 °C   |     |     |      |
| Sealing compound     |                             | 2. Polyurethan PU570 WEVO Chemie GmbH, Mergenthaler Str. 13, D-73760 Ostfildern-Kemnat |     |     |      |
| Sealing compound     |                             | Colour: dark grey, operate temperature -40 to 130 °C                                   |     |     |      |
| Sealing compound     |                             | Quota of the filling substances: 100 parts of vol. PU570 and                           |     |     |      |
| Sealing compound     |                             | 26 parts of vol. Harder 300, operating temperature 21 °C                               |     |     |      |

| Environmental data    | Conditions                         | Min | Typ | Max | Unit |
|-----------------------|------------------------------------|-----|-----|-----|------|
| Shock                 | 1/2 sine, duration 11ms, in 3 axis |     |     | 50  | g    |
| Vibration             | from 10 - 2000 Hz                  |     |     | 35  | g    |
| Operating temperature |                                    | -40 |     | 60  | °C   |
| Storage temperature   |                                    | -40 |     | 60  | °C   |

| Cable specification | Conditions | Min   | Typ | Max | Unit |
|---------------------|------------|---|-----|-----|------|
| Cable type          |            | oil resistant round cable H05RN-F 2x0,75 mm <sup>2</sup> , black, |     |     |      |
| Cable type          |            | Colour of wires: brown and blue                                   |     |     |      |

Modifications in the sense of technical progress are reserved

Designed at: 06.07.11 Designed by: WKOVACS  
 Last Change at: Last Change by:

Approval at: 06.07.11 Approval by: DKUECHLER  
 Approval at: Approval by:

Version: 16