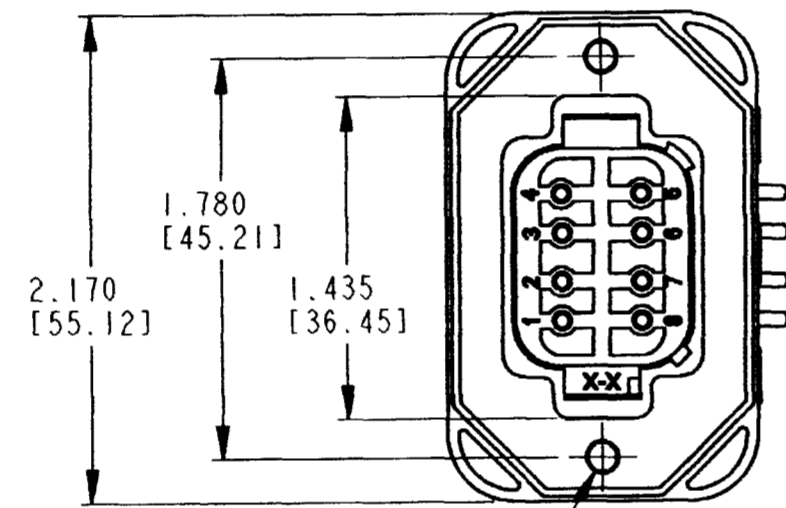
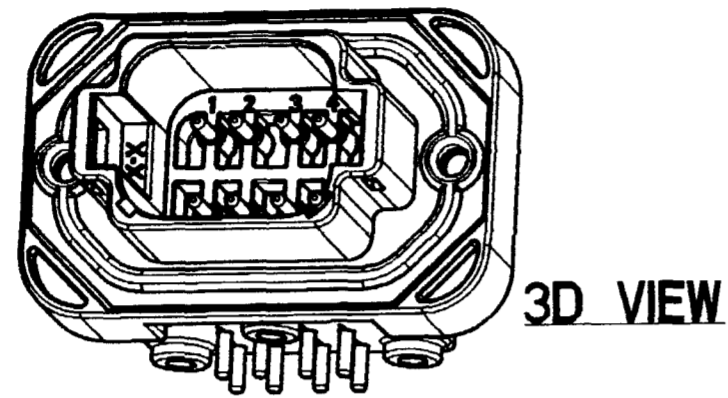
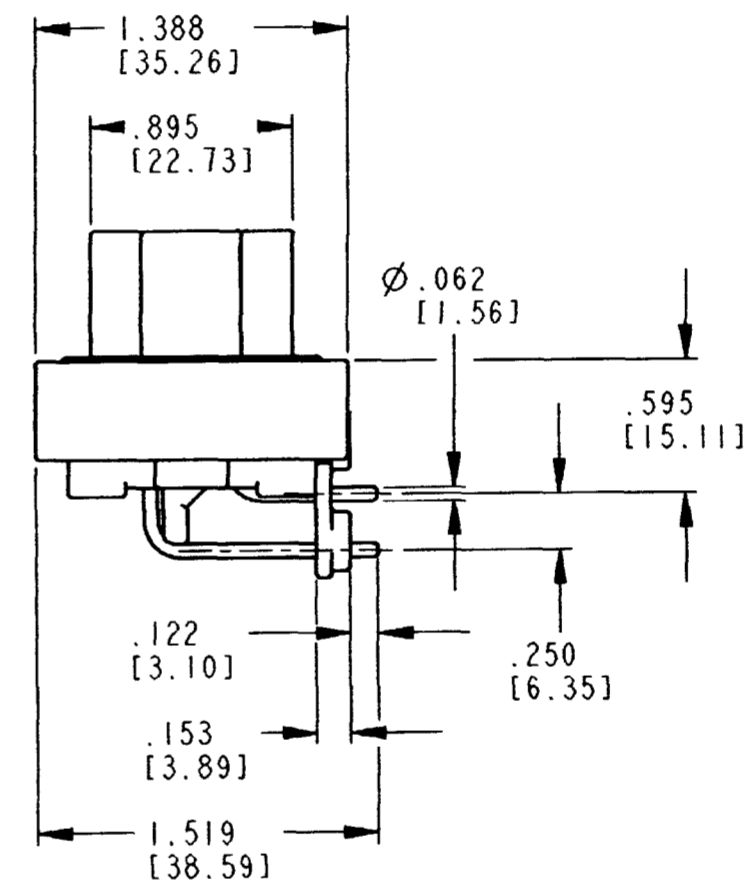
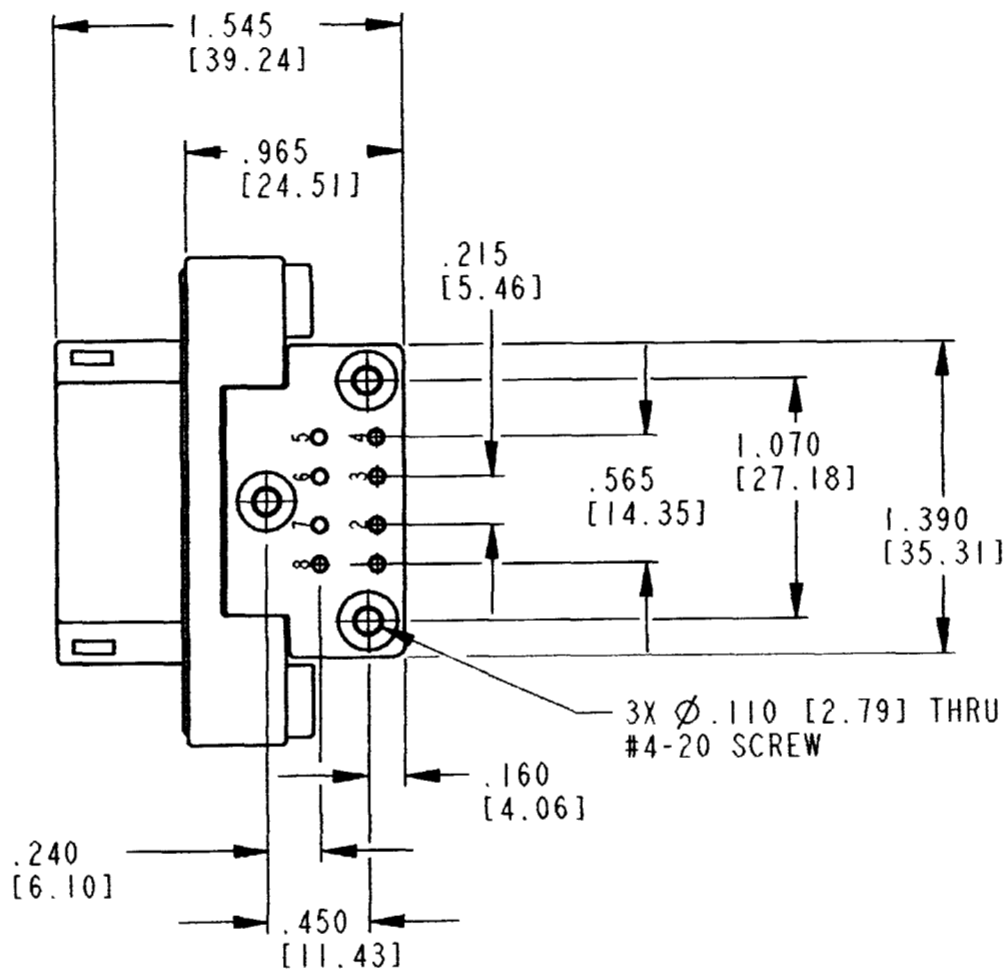


REV  
C DT13-08P \*

REVISIONS			
SYM	DESCRIPTION	DATE	APPROVED
NC	NEW RELEASE PER E.O. A13624	6/29/94	J.A.
A	REVISED PER E.O. A14754	10/28/94	R.R.
B	REACTIVATED PER E.O. P17409	10/23/01	R.D.R.
C	REVISED PER E.O. P19404	11-20-06	ADR



∅.130 [3.30] BLIND HOLE  
∇.425 [10.80] #6-19 SCREW  
FLANGE SEAL NOT SHOWN FOR CLARITY.



6. MOUNTING SCREW TORQUE VALUES ARE AS FOLLOWS:  
#6-19 SCREWS: 13±2.0 IN-LB [1.47±0.23 N-M].  
#4-20 SCREWS: 8±2.0 IN-LB [0.90±0.23 N-M].  
VALUES VALID FOR PLASTITE 48 SCREWS ONLY.
5. RECOMMENDED MOUNTING SCREWS (NOT INCLUDED): CAMCAR PLASTITE 48.
4. THIS RECEPTACLE MATES WITH DT06-8S\* PLUG -\*\*\*\*- ALL MODIFICATIONS.
3. SHELL MATERIAL: PLASTIC; FLANGE SEAL MATERIAL: RUBBER.
2. DIMENSION TOLERANCE: ±.025 [0.64]; FOR PANEL CUTOUTS ±.010 [0.25].

NOTES: 1. DIMENSIONS ARE IN INCHES [mm].

SIGNATURE & DATE	
DR	P. BURKE 09/05/01
CHK	[Signature] 11/20/06
PE	Kheku 11-15-06
APPD	[Signature] 11-20-06
SCALE	NONE WT

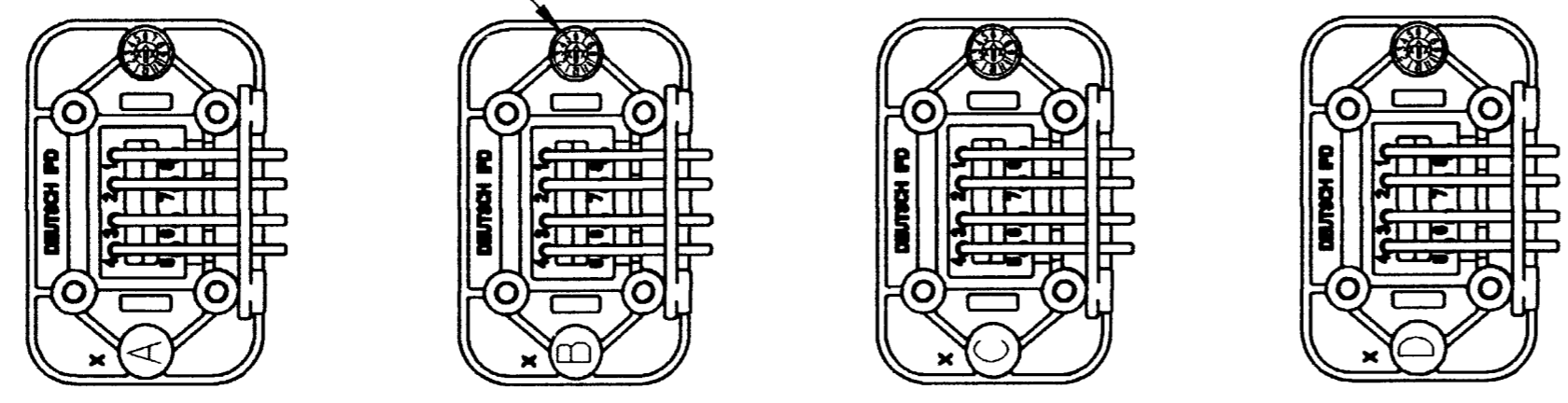
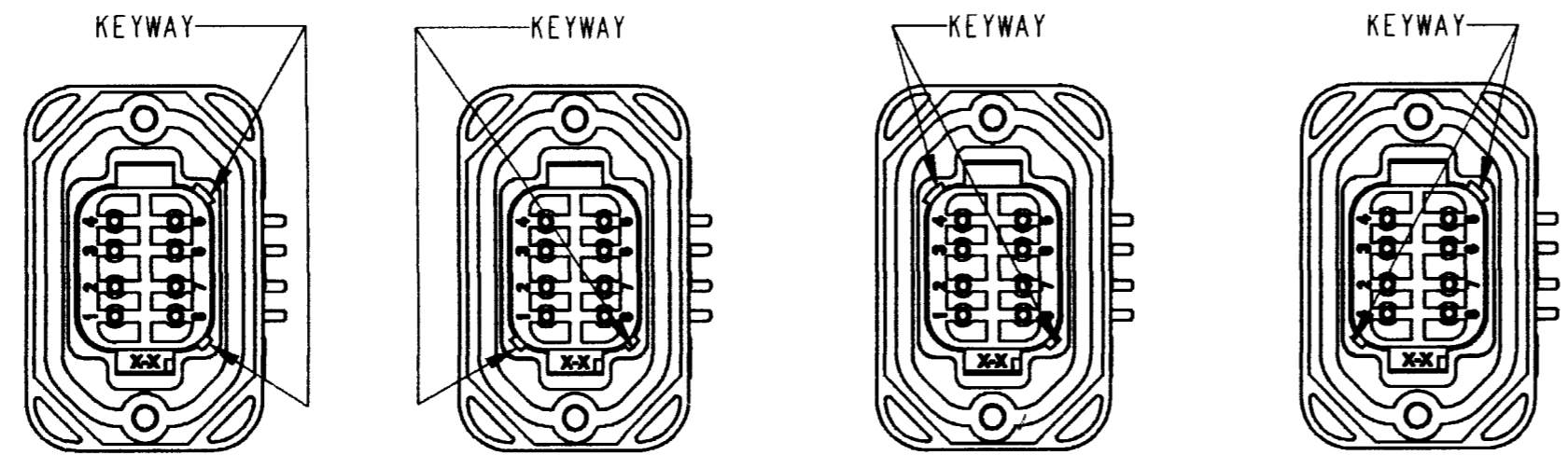
PCB MOUNT  
RECEPTACLE  
8 PIN - 90° TAILS  
DT SERIES

ENVELOPE

EP	MATL. CODE
<b>The Deutsch Company</b> DEUTSCH I.P.D. 3850 INDUSTRIAL AVE. HEMET, CALIF. 92545	
<b>B</b>	<b>DT13-08P *</b>
DWG SIZE	CODE 11139 SHEET 1 OF 2

REV  
C DT13-08P\*

REVISIONS			
SYM	DESCRIPTION	DATE	APPROVED
C	SEE SHEET ONE	11-20-06	ADR

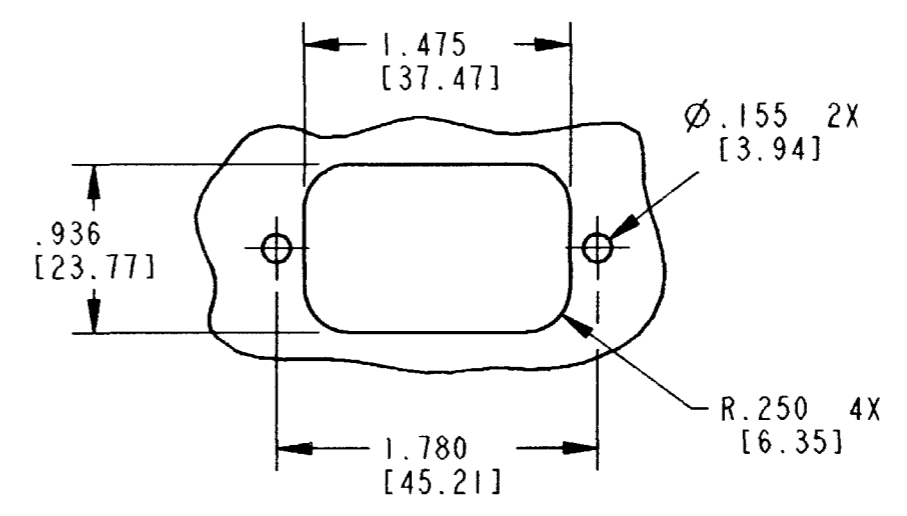
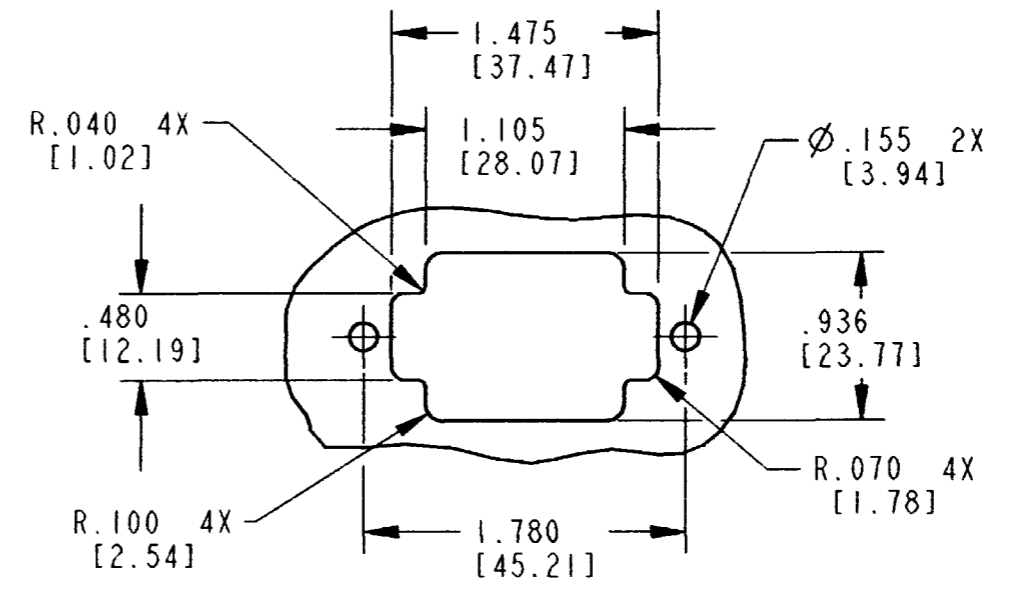


DT13-08PA  
COLOR: GREY

DT13-08PB  
COLOR: BLACK

DT13-08PC  
COLOR: GREEN

DT13-08PD  
COLOR: BROWN



RECOMMENDED PANEL CUTOUTS

NOTES:

SIGNATURE & DATE	
DR	P. BURKE 09/05/01
CHK	B. BURKE 11/13/06
PE	K. BURKE 11/2/06
APPD	S. BURKE 11-7-06
SCALE	NONE
WT	

PCB MOUNT  
RECEPTACLE  
8 PIN - 90° TAILS  
DT SERIES

ENVELOPE

EP	MATL CODE
The Deutch Company DEUTSCH I.P.D. 3850 INDUSTRIAL AVE. HEMET, CALIF. 92545	
<b>B</b>	DT13-08P*
DWG SIZE	CODE 11139 SHEET 2 OF 2