



SPECIFICATIONS SHEET

PRODUCT TYPE : EXTERNAL DRIVE PIEZO TRANSDUCER

PRODUCT SERIES : DB-E658

DESCRIPTION : PZ TRANSDUCER 9V PIN PBT SP RoHS

COLOR : BLACK

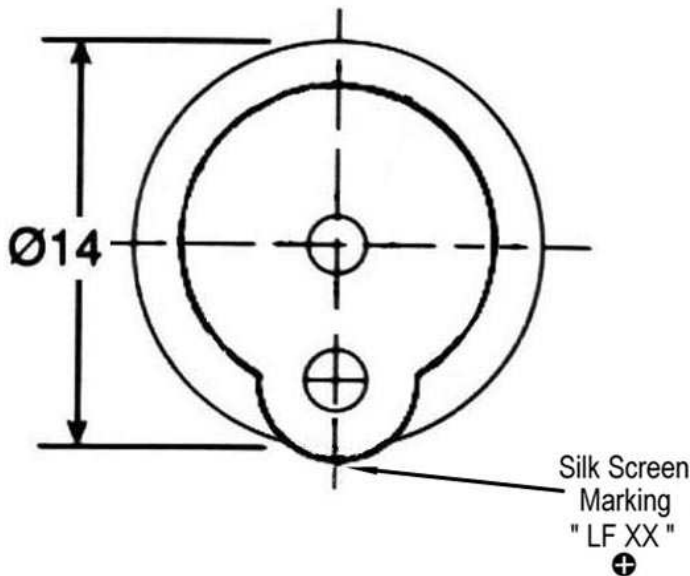
ELECTRICAL SPECIFICATIONS

MODEL NO.	65PZ14400LF - PH
SOUND PRESSURE LEVEL	80 dBA min. (9V p-p Square Wave, 10 cm, 4000 Hz)
CAPACITANCE	13000 pF \pm 30 % at 120 Hz
* MAX. INPUT VOLTAGE	20 V p-p
* OPERATING TEMPERATURE	-20 ~ +70 ° C
TERMINAL	PIN
HOUSING MATERIAL	PBT
* WEIGHT	1.0 g

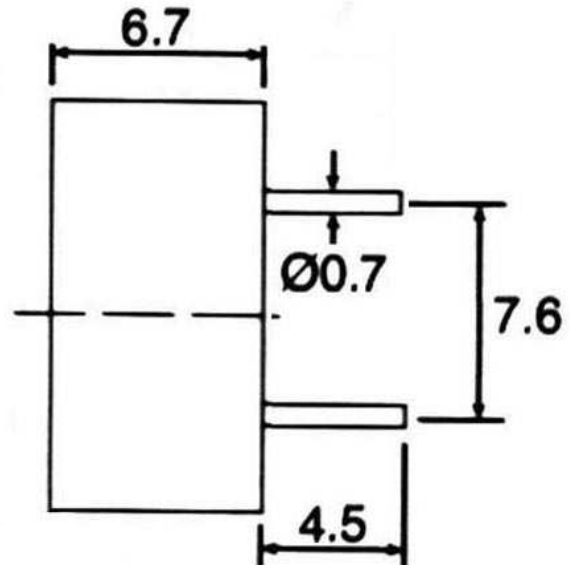
DIMENSIONS



UNIT : mm

TOP VIEW



SIDE VIEW



Approved By :  
Date : 29-Sep.-2005

Prepared By :  
Date : 29-Sep.-2005

Modify :	Date :	By :