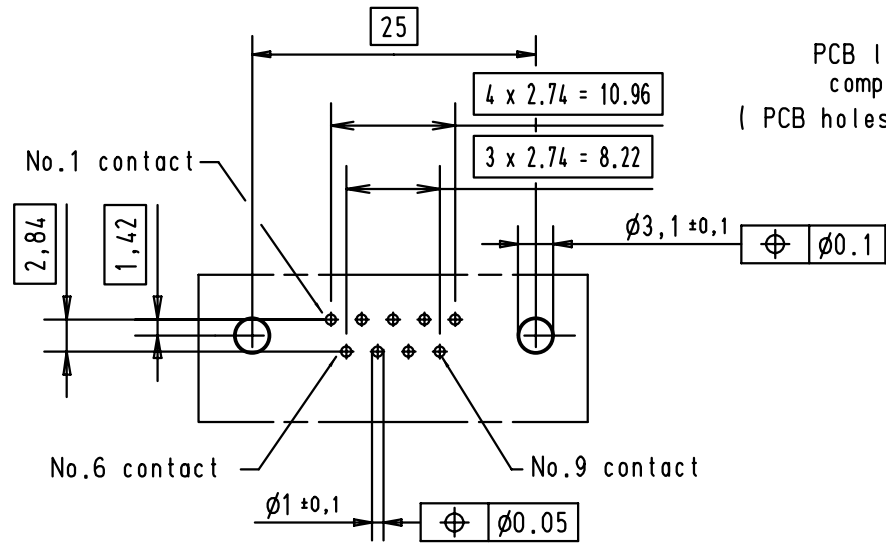
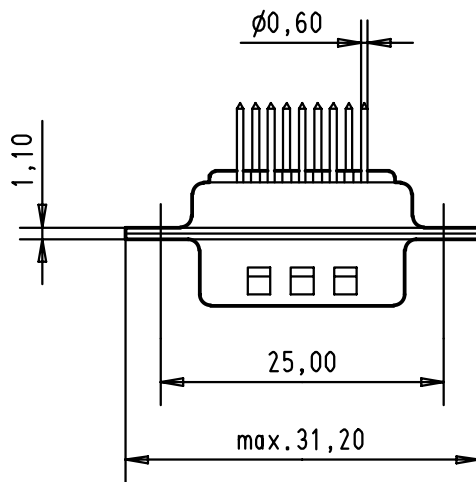
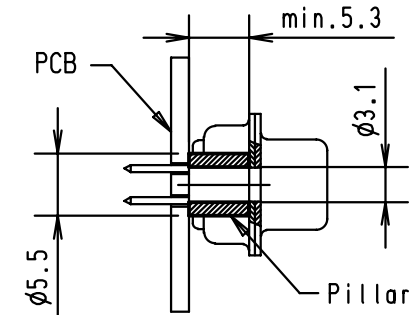
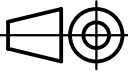



assembly position



PCB layout hole  
component side  
( PCB holes plating : Tin )

A

						Dat.	Name	 All Dim. in mm Orig. Size DIN A 4	D-Sub, Male, Straight 09 Poles with turned solder contacts and hole	Maßstab/ Scale 1.5:1	
						Detail.	07/feb/01				jfb
						Insp.					
09 67 009 5655	3.1 ± 0.1	2				Stand.					
09 67 009 5654	3.1 ± 0.1	3	27993	04/04/01	AF						
			27974	07/feb/01	jfb	HARTING EURL F-95972 Paris			TB 0967009565x	Blatt/ Page 1 / 1	
Part number	ø hole	Performance level	Mod.	Dat.	Name	Sub.					