

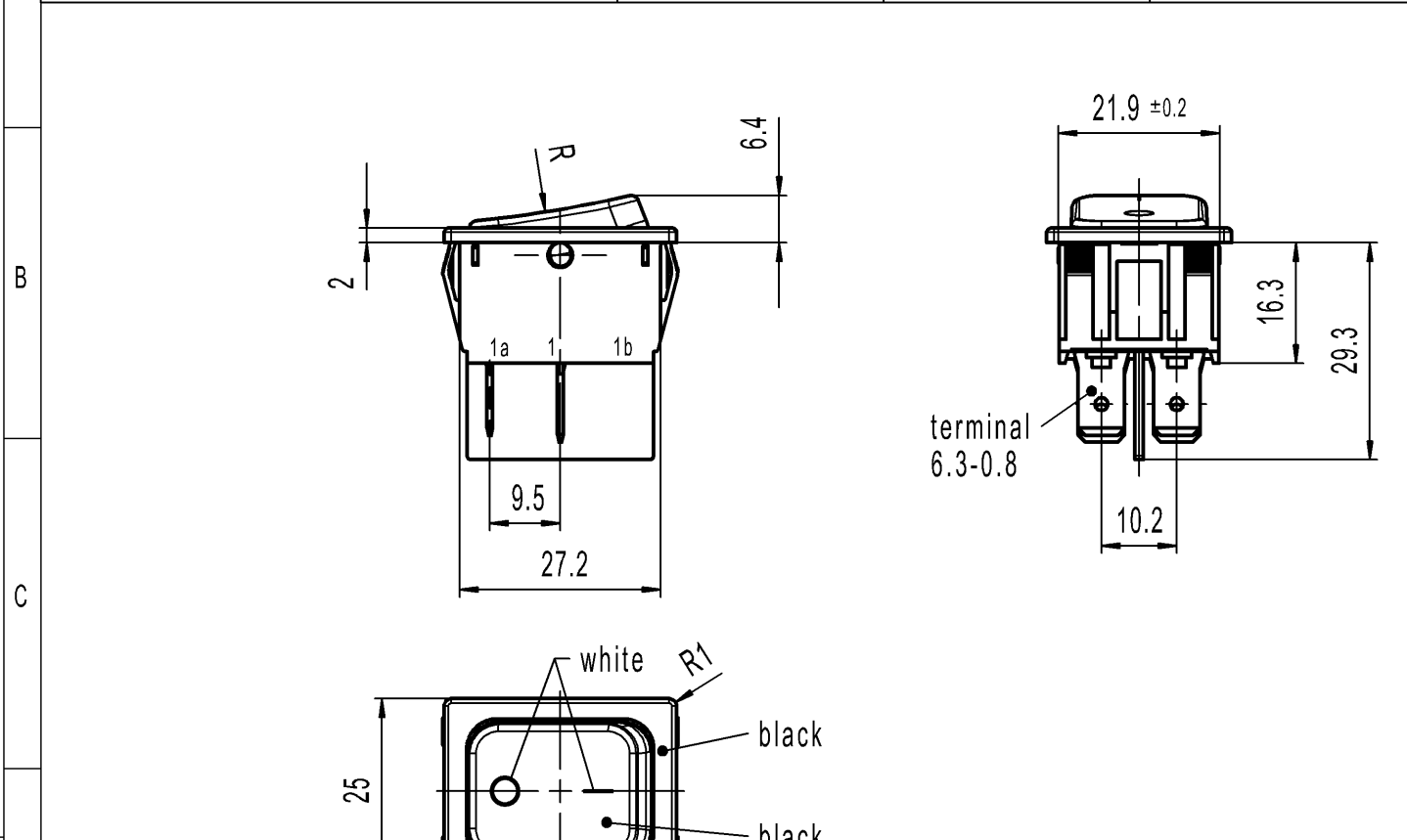
CONFIDENTIAL

VERTRAULICH

THIS DRAWING IS THE EXCLUSIVE PROPERTY OF MARQUARDT. WITHOUT THEIR CONSENT IT MAY NOT BE REPRODUCED OR GIVEN TO THIRD PARTIES.

Alle Rechte bei Marquardt, auch fuer den Fall von Schutzrechtsanmeldungen. Jede Veruegungsbefugnis, wie Kopier- und Weitergaberecht, bei uns.

A	recommended cut-out for snap-in fixing (edge opposite to snap-in direction)	1	2	3	4
		wall thickness	length of cut-out	width of cut-out	
		0.75 to 1.25 1.25 to 2 2 to 3	30.0 -0.1 30.2 -0.1 30.6 -0.1	22 +0.2 22 +0.2 22 +0.2	



Marking:  
 1832.  
 4(2)/250~ T105/55

6A 125V AC  
 4A 250V AC  
 1/10HP 125-250V AC  
 R52

Code of manufacture: place/year/week

DPNO  
 Suitable for appliances of class II

-		-		-		1832.3407-XX	
Figure		Type		Customer Part No.		Art.No.-PI	
Shape and location	Angle ± 2°	Length		Radii		Sheet	01
	Edge tolerance	0-6 ± 0.2	±	0-6 ± 0.2	±	Ident.	K
		>6-30 ± 0.4	±	>6-30 ± 0.4	±	Document number	18323407
		>30-70 ± 0.6	±	>30-200 ± 10%	±	Index	f
f	138977	2021-10-19		MATHPATIR		Appliance Switch	
e	64507	2009-11-11		HHE			
d	39880	2004-04-16		HHE			
c	24370	1996-10-31		GRH		MARQUARDT	
Index	MEC-No.	Date (YYYY-MM-DD)		Edited by			
				All dimensions are in millimetres		Replacement of	
				Format DIN A4		System NX V1872	
				Projection		Zg.gl.Nr.v.12.03.1996	
				Scale 1:1			