



Representative photograph, actual product appearance may vary.

Due to regional agency approval requirements, some products may not be available in your area. Please contact your regional Honeywell office regarding your product of choice.

V5B010CB3

V5 Series Miniature Basic Switch, Single Pole Double Throw Circuitry, 16 A at 250 Vac, Pin Plunger Actuator, 3,00 N [10.6 oz] Maximum Operating Force, Gold Contacts, Quick Connect Termination Silver Cadmium Oxide Contacts, Quick Connect Termination, CE, C

Features

- World-wide package size acceptance
- Current rating ranges from 0.1 A to 25 A
- Wiping contact action
- Temperature range to 177 °C [350 °F]
- Long mechanical life
- Elongated mounting holes for easier, more accurate mounting
- UL/CSA recognized, ENEC (European) approval available
- Choice of actuation, termination and operating characteristics

Typical Applications

- Appliances
- Vending machines
- Timing devices
- Office equipment
- Computer/business equipment
- Test instruments
- Medical/dental equipment
- Communications equipment
- HVAC equipment
- Manually operated devices
- Valves
- Gaming equipment
- Pressure switches

Description

V5 and V7 Series Basic Switches are used for simple or precision on/off, end of limit, presence/absence, pressure, temperature and manual operator interface application needs.

V5B010CB3

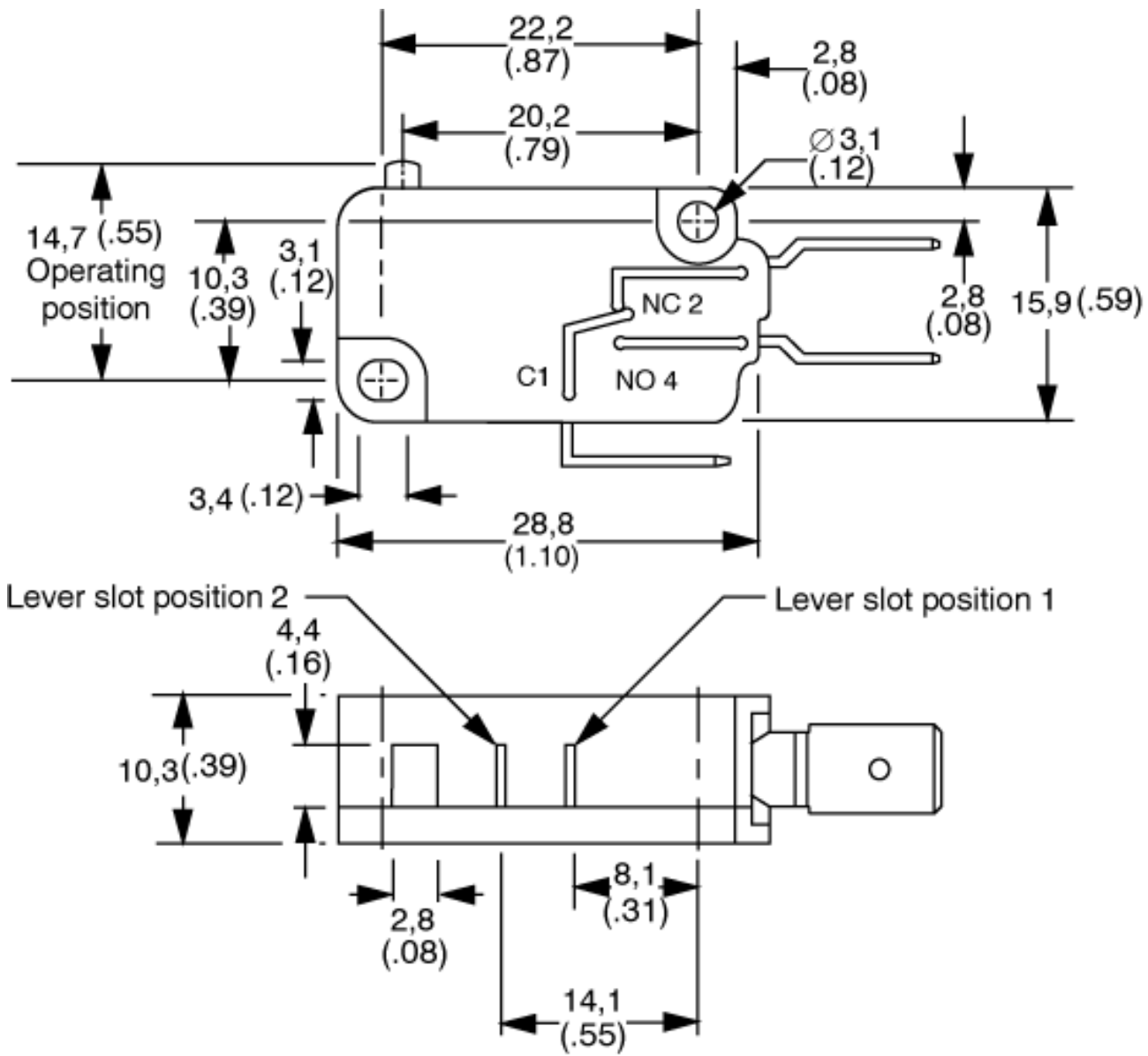
V5 Series Miniature Basic Switch, Single Pole Double Throw Circuitry, 16 A at 250 Vac, Pin Plunger Actuator, 3,00 N [10.6 oz] Maximum Operating Force, Gold Contacts, Quick Connect Termination Silver Cadmium Oxide Contacts, Quick Connect Termination, CE, C

Product Specifications	
Switch Type	Miniature 15,9 mm H x 10,2 mm W x 28,8 mm L [0.63 in H x 0.4 in W x 1.14 in L]
Circuitry	Single Pole Double Throw (SPDT)
Sealed	No
Voltage	250 Vac
Ampere Rating	16 A
Approvals	CE, CSA, SEMKO, UL, VDE
Actuator	Pin Plunger
Operating Temperature Range	-55 °C to 85 °C [-67 °F to 185 °F]
Termination	Quick Connect Silver Plate
Contact Type	Silver Cadmium Oxide
Operating Force (O.F.)	3,00 N [10.6 oz] max.
Release Force (R.F.)	0,75 N [2.65 oz] min.
Pretravel (P.T.)	1,6 mm [0.063 in] max.
Overtravel (O.T.)	0,8 mm [0.031 in] min.
Differential Travel (D.T.)	0,25 mm [0.010 in] max.
Operating Position (O.P.)	14,7 mm ± 0,3 mm [0.58 in ± 0.012 in]
Mounting Centers	22,2 mm [0.88 in]
Housing Material	Thermoplastic
CE mark	61058-1
UL File #	E41859
Agency Approvals and Standards	1054
Maximum Tightening Torque	0,56 N m [5.0 in lb]
Availability	Global
UNSPSC Code	30211905
UNSPSC Commodity	30211905 Snap switches
Series Name	V5 Series

Honeywell

V5B010CB3

V5 Series Miniature Basic Switch, Single Pole Double Throw Circuitry, 16 A at 250 Vac, Pin Plunger Actuator, 3,00 N [10.6 oz] Maximum Operating Force, Gold Contacts, Quick Connect Termination Silver Cadmium Oxide Contacts, Quick Connect Termination, CE, C



Honeywell

V5B010CB3

V5 Series Miniature Basic Switch, Single Pole Double Throw Circuitry, 16 A at 250 Vac, Pin Plunger Actuator, 3,00 N [10.6 oz] Maximum Operating Force, Gold Contacts, Quick Connect Termination Silver Cadmium Oxide Contacts, Quick Connect Termination, CE, C

 WARNING

PERSONAL INJURY

DO NOT USE these products as safety or emergency stop devices, or in any other application where failure of the product could result in personal injury.

Failure to comply with these instructions could result in death or serious injury.

 WARNING

MISUSE OF DOCUMENTATION

- The information presented in this product sheet (or catalog) is for reference only. DO NOT USE this document as product installation information.
- Complete installation, operation and maintenance information is provided in the instructions supplied with each product.

Failure to comply with these instructions could result in death or serious injury.