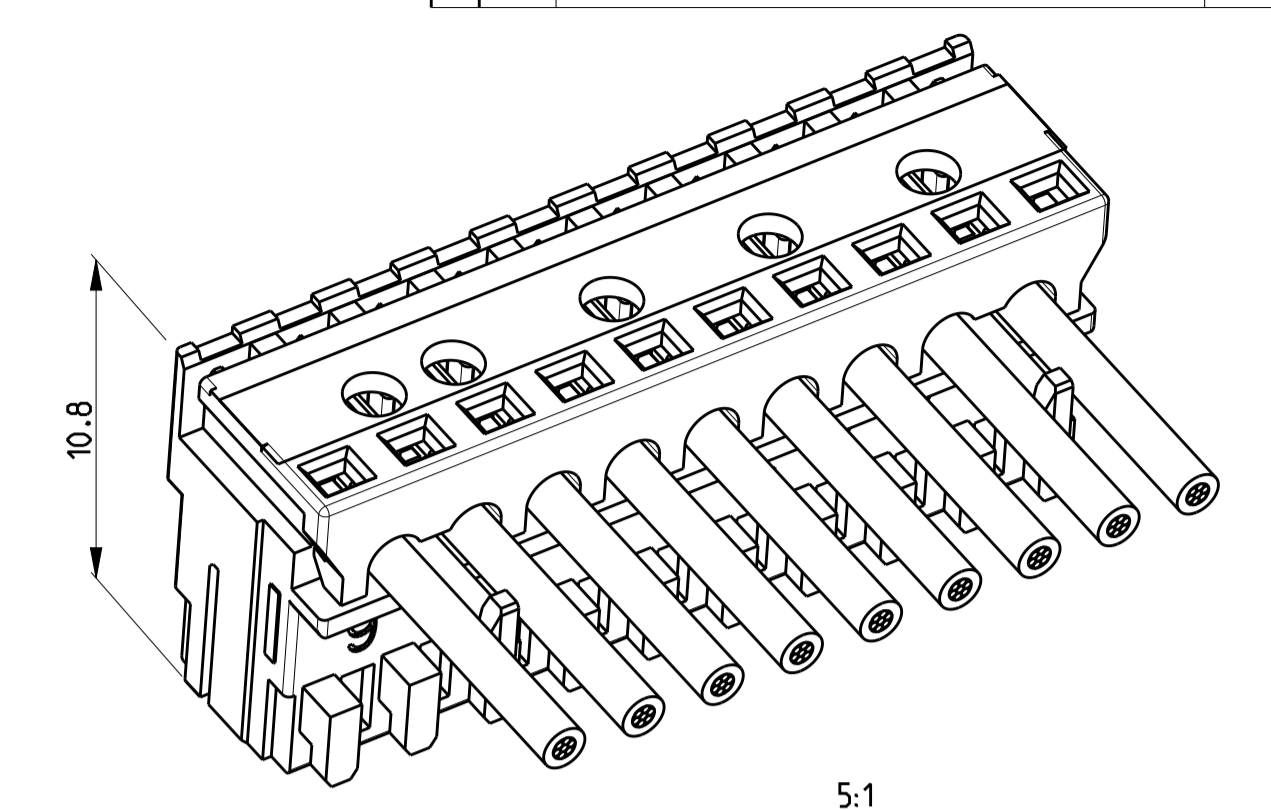
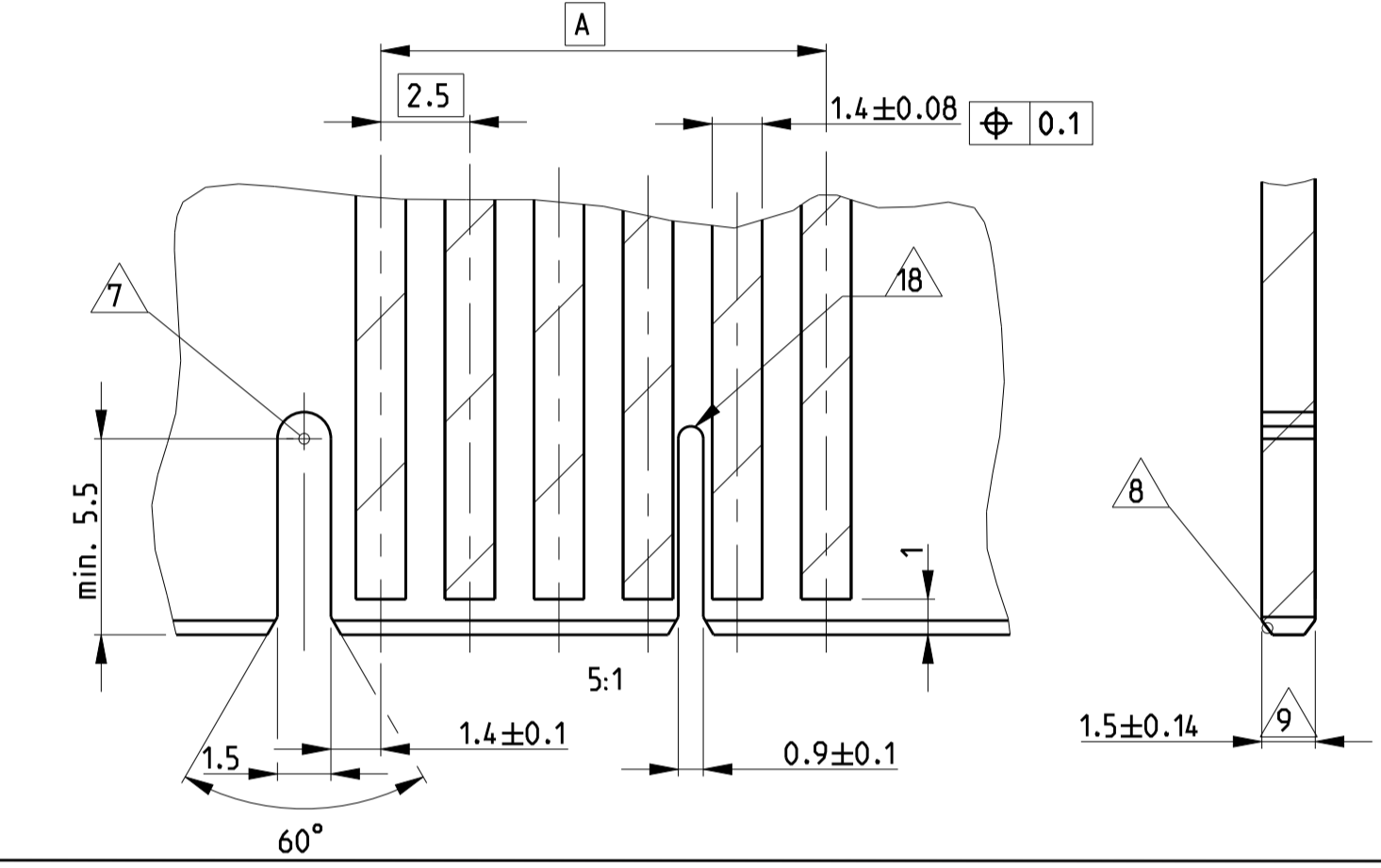


- 27 DIMENSION AVAILABE FOR PART X-2304525-X, X-2304526-X.
- 26 WITH SPECIAL CHAIN FEATURE
- 25 SIDE KEYING ON LAST CAVITY THICKNESS=1.5mm
- 24 SIDE KEYING ON CAVITY 1 THICKNESS=1.5mm
- 19 COLOR MARKING IN THIS AREA, NOT THE COLOR OF HOUSING. COLOR SEE COLOR CODE IN TABLE.
- 18 SLOT, THICK, BETWEEN CAVITIES
- 17 KEYING, THICK, BETWEEN POSITION
- 16 SLOT, SLIM, FOR SIDE KEYING, LAST CAVITY Schlitz,duenn, an letzte Kammer
- 15 SLOT, SLIM, FOR SIDE KEYING, SIDE CAVITY 1 Schlitz,duenn, fuer Seitenkodierung
- 14 SIDE KEYING, SLIM, ON LAST CAVITY Seitenkodierung, duenn, an letzte Kammer
- 13 SIDE KEYING, SLIM, ON CAVITY 1 Seitenkodierung, duenn, an Kammer 1
- 12 KEYING SLIM BETWEEN POSITIONS
- 11 PRELIMINARY PART NOT RELEASED FOR PRODUCTION
- 10 TE LOGO
- 9 INCLUSIVE COPPER LOADING Inklusive Kupferkaschierung
- 8 PCB PREFERABLY CHAMFERED Leiterplatte vorzugsweise angefast
- 7 SLOT, THICK, FOR SIDE KEYING Schlitz,dick, fuer Seitenkodierung
- 6 SIDE KEYING, THICK, ON LAST CAVITY Seitenkodierung, dick, an letzte Kammer
- 5 WIRE RANG: 0.22-0.35mm² SEE APPLICATION SPEC. 114-18467 Drahtgroessenbereich: 0.22-0.35mm² siehe Verarbeitungsspec. 114-18467
- 4 IEC 60695-2-11 / IEC 60335-1 GLOW WIRE TEST 750 °C WITHOUT FLAME IEC 60695-2-11 / IEC 60335-1 Gluehdrahttest 750 °C ohne Flamme
- 3 X..CAVITY LOADED WITH CONTACT O..CAVITY WITHOUT CONTACT X..Kammer mit Kontakt bestueckt O..Kammer ohne Kontakt
- 2 MATING PART: PCB (WITH FRAMES ACC. RAST 2.5 E.G. PN 964 575/576 TABHEADER PN 829 866/867 Passender Gegenstecker: Leiterplatten (mit Rahmen nach RAST 2.5 z.B. 964 575/576) Tabwannen Nr. 829 866/867
- 1 KEYING RIBS: CUTTING WITH TERMINATION MACHINE POSSIBLE Kodierrippe; Schneiden auf der Verarbeitungsmaschine moeglich

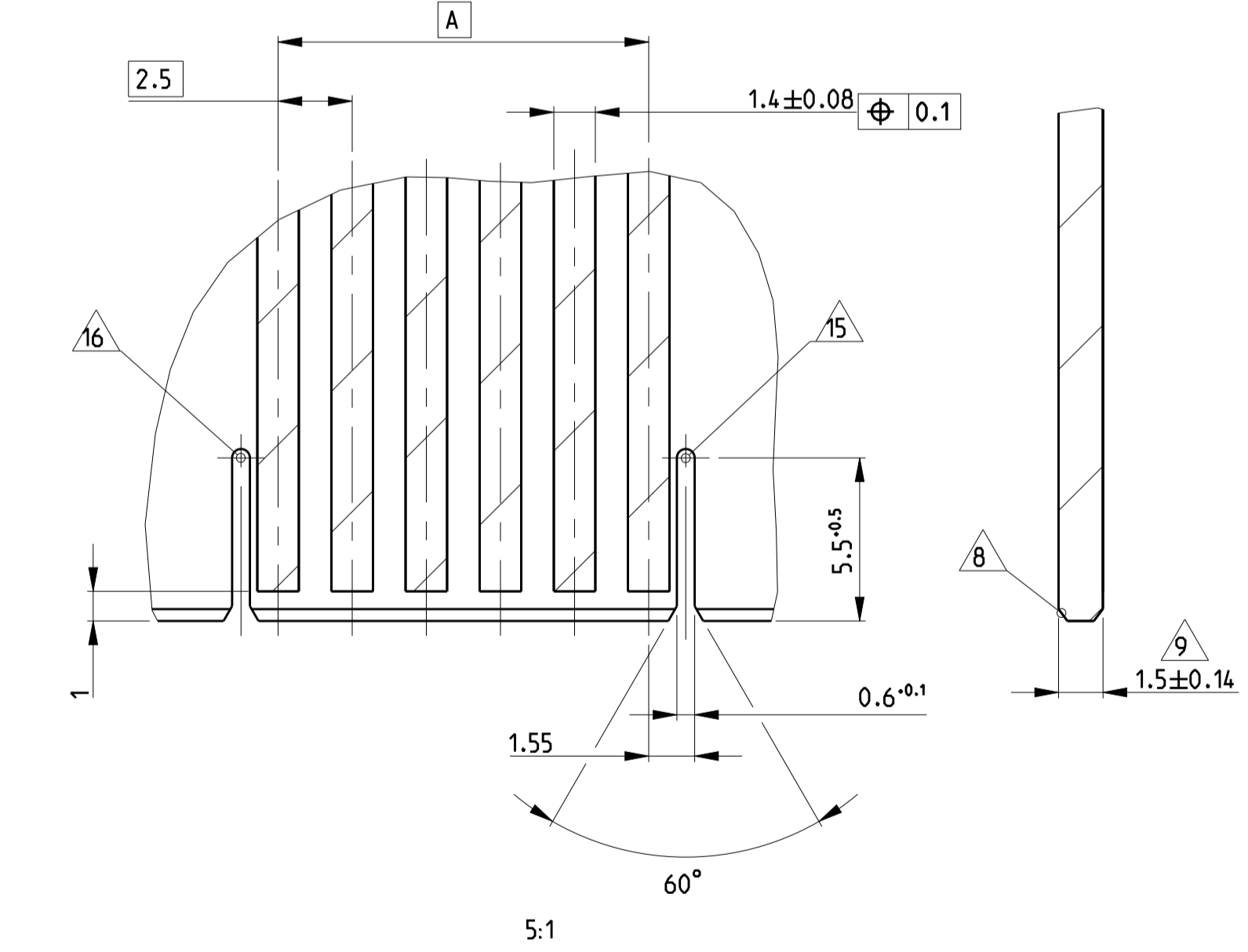
LOC	DIST	REVISIONS					
A1	-	P	LTR	DESCRIPTION	DATE	DWN	APVD
		D34	ECR-18-008947		11 JUN 2018	W W	FL
		D35	ECR-18-009059		12 JUN 2018	W W	FL
		D36	ECR-18-011242		18 JUL 2018	L Z	FL



PCB LAYOUT KEYED / CONNECTED ONLY WITH ADDITIONAL FRAME (THICK KEYING)
Leiterplattenanschluss kodiert / nur in Verbindung mit zusaeztlichem Rahmen



PCB LAYOUT KEYED / CONNECTED ONLY WITH ADDITIONAL FRAME (SLIM KEYING)
Leiterplattenanschluss kodiert / nur in Verbindung mit zusaeztlichem Rahmen

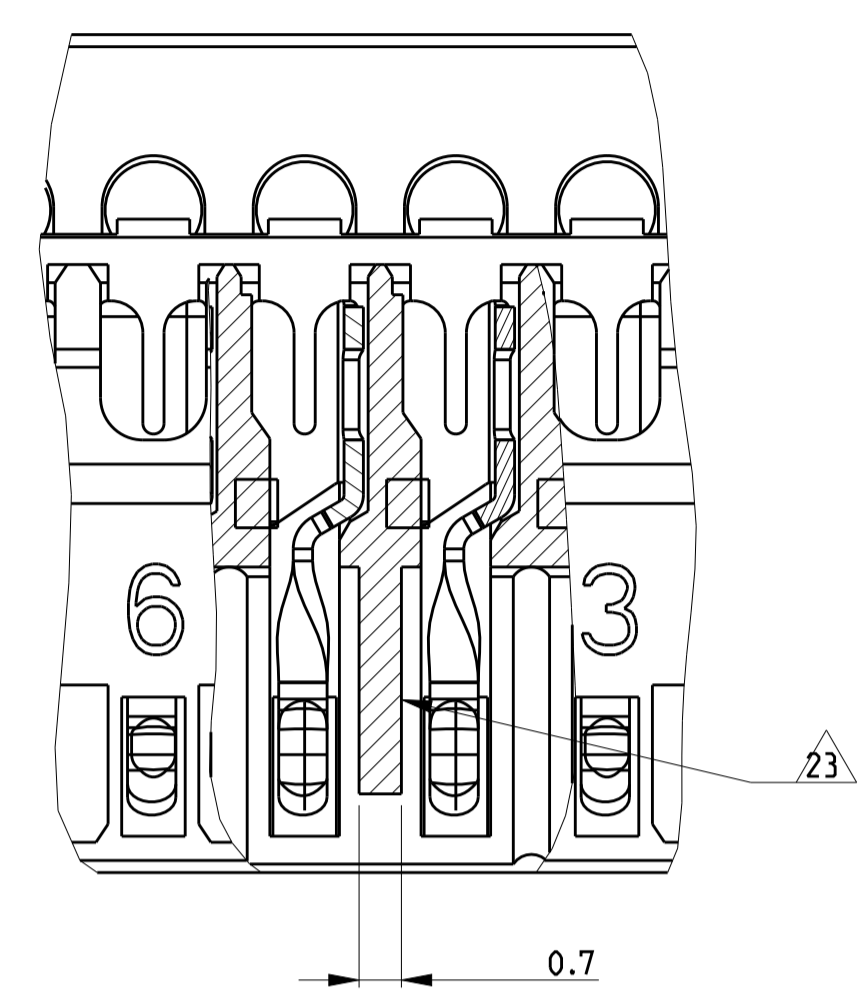
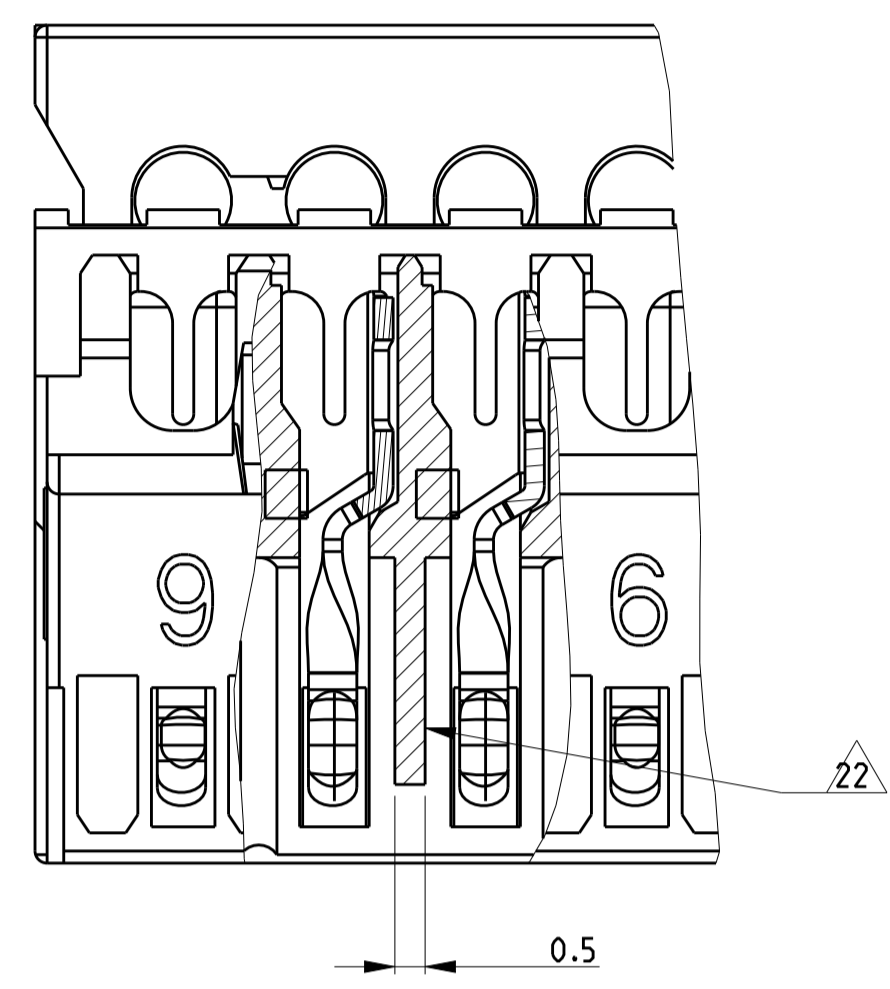


OTHER NOTE SEE SHEET 3 OF 3.

THIS DRAWING IS A CONTROLLED DOCUMENT.		DWN: H. Karabiyik 24MAY2002	 TE Connectivity
DIMENSIONS: mm		CHE: B. Schnaubel 24MAY2002	
TOLERANCES UNLESS OTHERWISE SPECIFIED:		APVD: T. Klenner 24MAY2002	NAME: AMP DUOPLUG 2.5 MARK II FEMALE CONNECTOR 3-20 POSITION SELECTIVE LOADED
0 PLC ±0.2		PRODUCT SPEC: 108-18785	
1 PLC ±0.2		APPLICATION SPEC: 114-18467	SIZE: A1 CAGE CODE: 00779 DRAWING NO: 1534798
2 PLC ±0.2		WEIGHT: -	
3 PLC ±0.2		Customer Drawing	SCALE: 10:1 SHEET: 1 OF 3 REVISION: 036
4 PLC ±0.2			
ANGLES FINISH			

POS.	PN Bestell-Nr.	DESCRIPTION Beschreibung	MATERIAL	COLOUR/FINISH Farbe/Oberflaeche
2	SEE TABLE	CONTACT/Kontakt	CuSn	TINNED/verzinkt
1	siehe Tabelle	HOUSING/Federleistengenh.	HIGH TEMP PLASTIC	NATUR/Natur

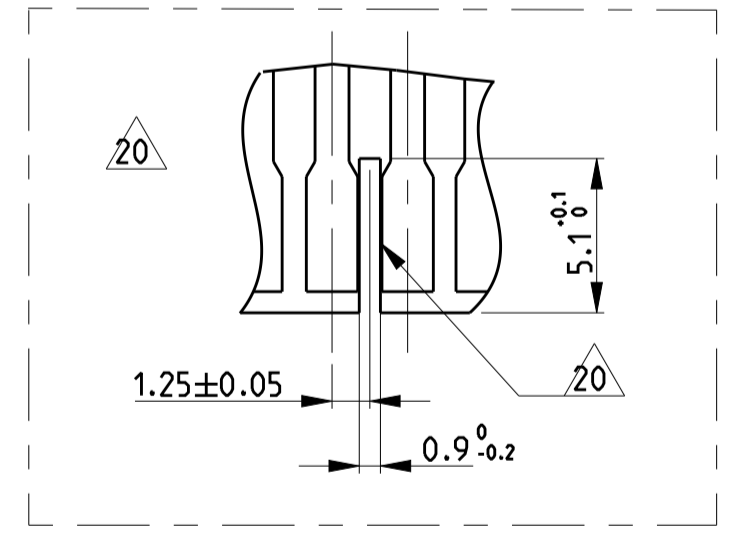
LOC	DIST	REVISIONS			
P	LTR	DESCRIPTION	DATE	DWN	APVD
-	-	SEE SHEET 1	-	-	-



KEYING 22

KEYING 23

- 23 KEYING. SPECIAL THICK. BETWEEN POSITION
- 22 KEYING. SPECIAL THIN. BETWEEN POSITION
- 21 SLOT FOR KEYING SPECIAL. BETWEEN POSITION
- 20 RECOMMENDED PCB CUTOFF DIMENSION FOR THE PN X-2304527-Y AND X-2304528-Y



GWT 750C AND UL94 V0 VERSION																												
Color	20	19	18	17	16	15	14	13	12	11	10	9	8	7	6	5	4	3	2	1	POS. Polzahl	DIM A	DIM B	KEYING 12	KEYING 17	KEYING 23	KEYING 22	PN 11 26 Bestell-Nr.
Blue										X	0	X	0	X	0	X	0	X	0	X	13	30	34.9			-	2/3	1-2304528-3 2304528-3
Orange										X	0	X	X	X	X	X	X	X	X	X	11	25	29.9			-	-	2-2304528-1 1-2304528-1
Green										X	0	X	0	X	0	X	0	X	0	X						-	-	2304528-1
										X	X	X	0	X	0	X	0	X	0	X	10	22.5	27.4					2-2304528-0 1-2304528-0
										X	0	X	0	X	0	X	0	X	0	X								3-2304527-9 2-2304527-9
Black										X	0	X	X	0	X	X	0	X	0	X	9	20	24.9			-	2/3	1-2304527-9
Blue										X	X	X	X	X	X	0	X	X							-	2/3	2304527-9	
										X	0	X	0	X	0	X	0	X										4-2304527-7 3-2304527-7
Black										X	X	X	X	0	0	X					7	15	19.9			-	2/3	2-2304527-7
Green										X	0	X	0	X	0	X										-	-	1-2304527-7
Blue										X	0	X	0	X	0	X										-	-	2304527-7
Red										X	X	0	X	0	X													6-2304527-6
Black										X	0	X	X	0	X													5-2304527-6
Green										X	X	0	X	0	X													4-2304527-6
										0	0	X	X	X	X						6	12.5	17.4					3-2304527-6 2-2304527-6
Blue										X	0	X	0	X	X											-	-	1-2304527-6
Red										X	0	X	X	0	X											-	-	2304527-6
Red										X	X	X	0	X														4-2304527-5
Red										X	0	0	0	X							5	10	14.9	3/4				3-2304527-5 2-2304527-5
										X	0	0	0	X												-	-	1-2304527-5
Green										X	0	X	0	X												-	-	2304527-5
Black										X	X	0	0								4	7.5	12.4			-	3/4	2304527-4
Red										X	0	X														2/3		8-2304527-3
Red										X	0	X														1/2		7-2304527-3
										X	0	X														2/3		6-2304527-3
Blue										X	0	X																5-2304527-3
										X	0	X									3	5	9.9					4-2304527-3
Black										X	0	X														1/2	-	3-2304527-3
Red										X	0	X														2/3	-	2-2304527-3
Brown										X	0	X														-	-	1-2304527-3
Orange										X	0	X														-	-	2304527-3

THIS DRAWING IS A CONTROLLED DOCUMENT. DWN H. Karabiyik 24MAY2002
 CHK B. Schnaubel 24MAY2002
 APVD T. Klenner 24MAY2002

STE TE Connectivity

NAME AMP DUOPLUG 2.5 MARK II FEMALE CONNECTOR 3-20 POSITION SELECTIVE LOADED

PRODUCT SPEC 108-18785 APPLICATION SPEC 116-18467

SIZE CAGE CODE DRAWING NO. RESTRICTED TO A1 00779 C-1534798

MATERIAL - FINISH - WEIGHT - Customer Drawing SCALE 10:1 SHEET 3 OF 3