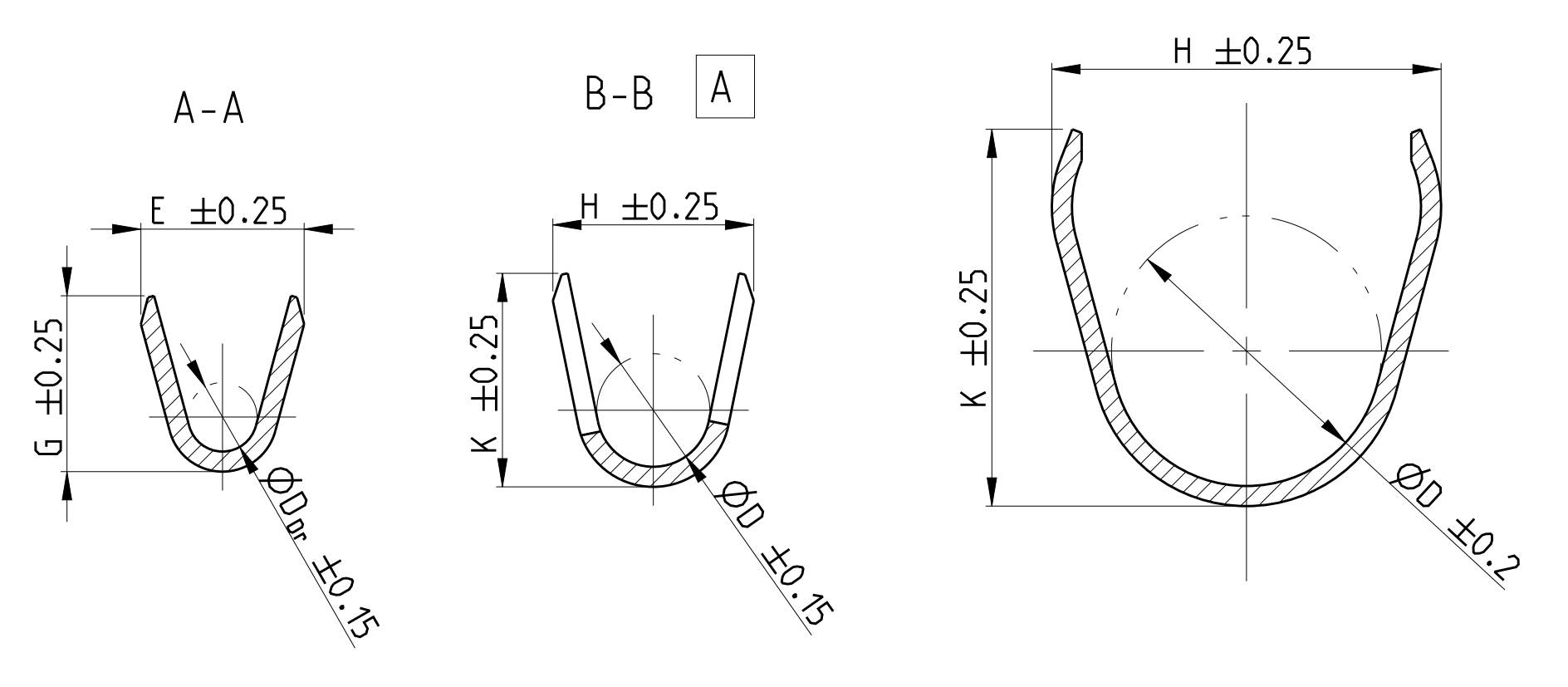
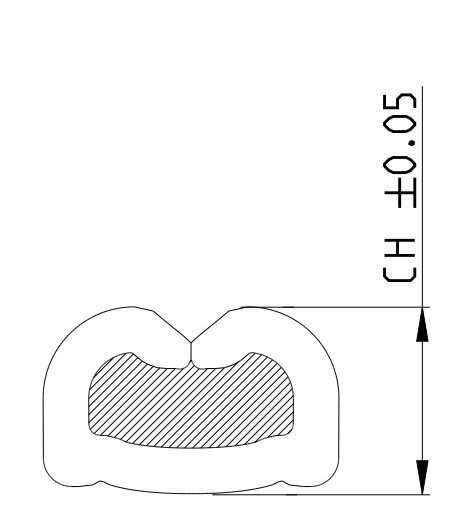


STRIP FORM
Bandware

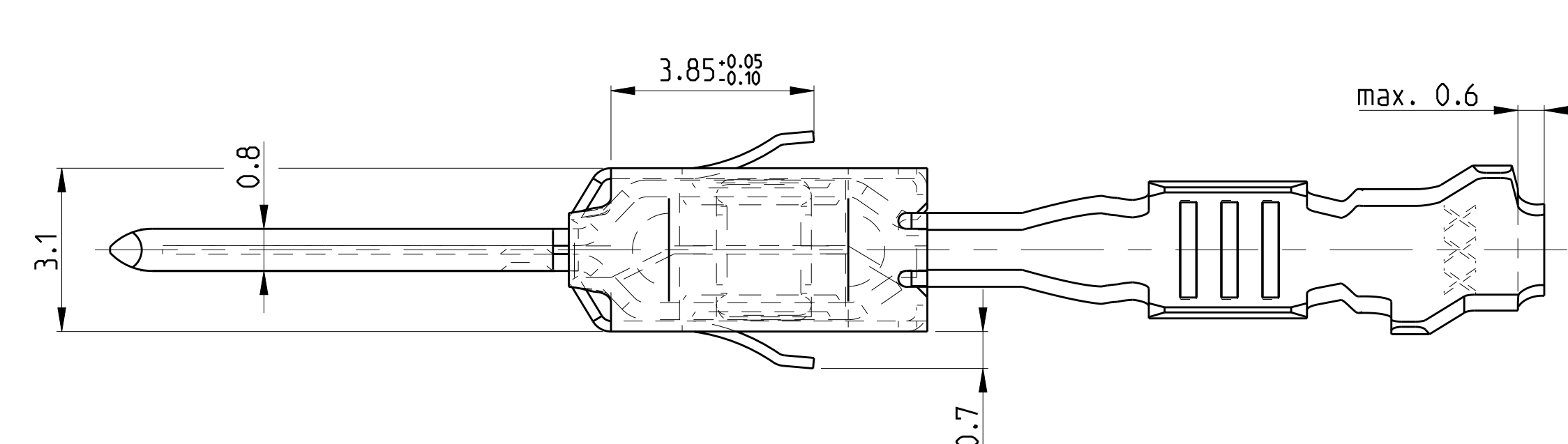
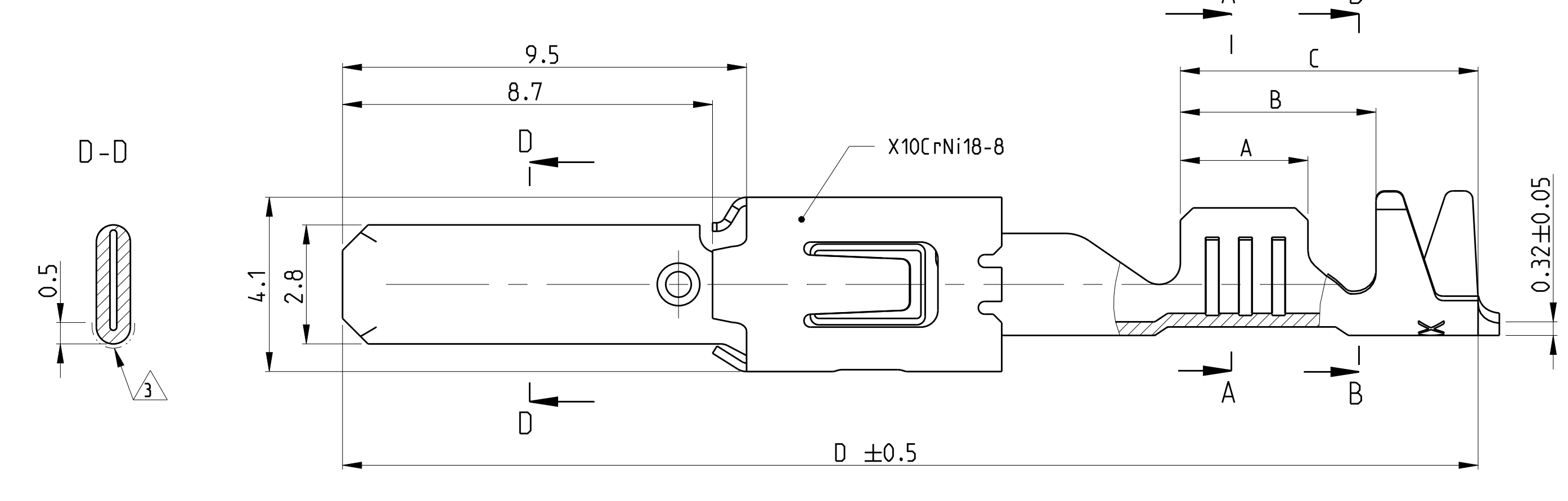


WIRE CRIMP
Drahtcrimp



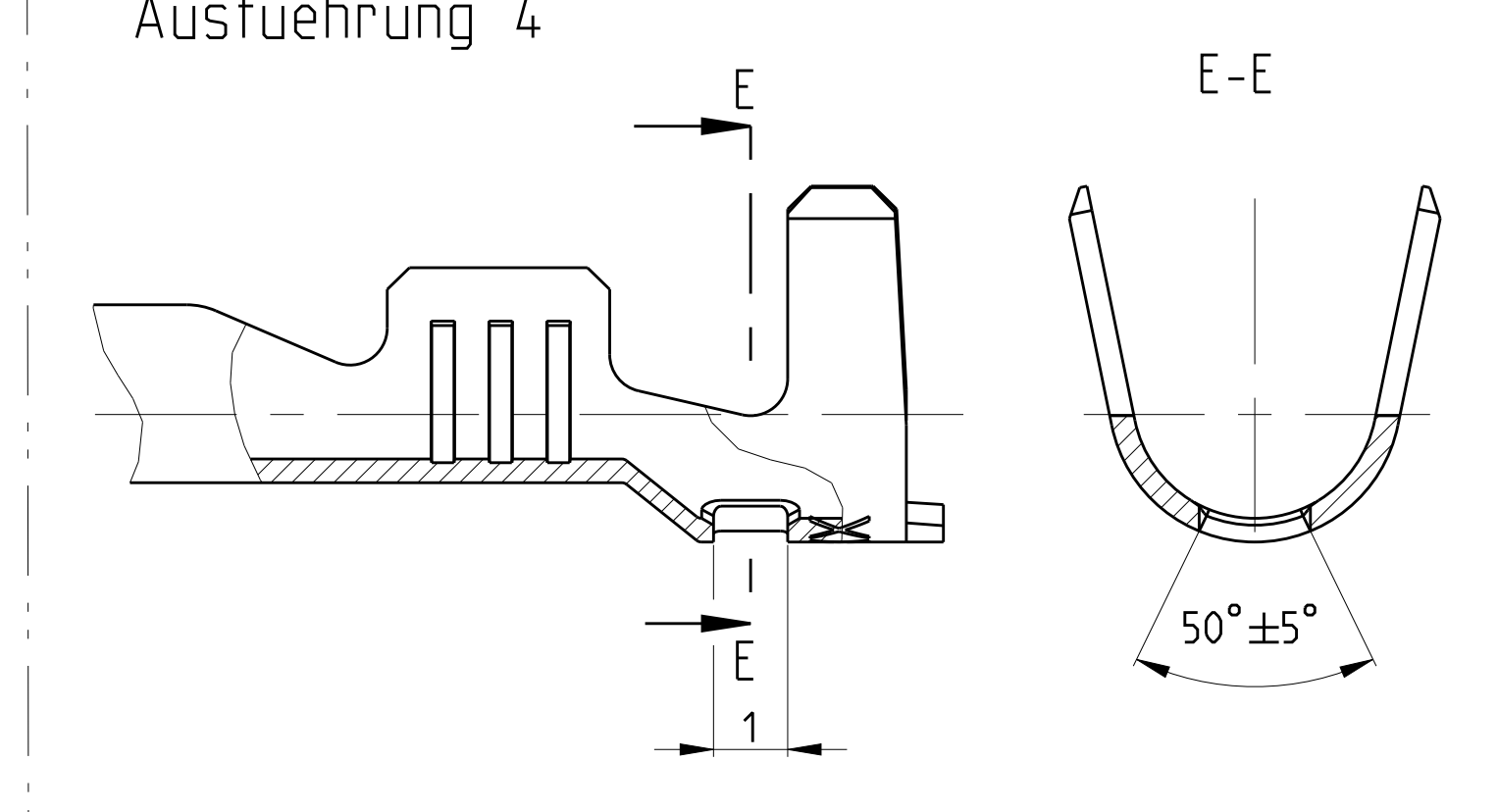
FLR-/FLK-WIRE
FLR-/FLK-Leitung

DESIGN 1
Ausführung 1

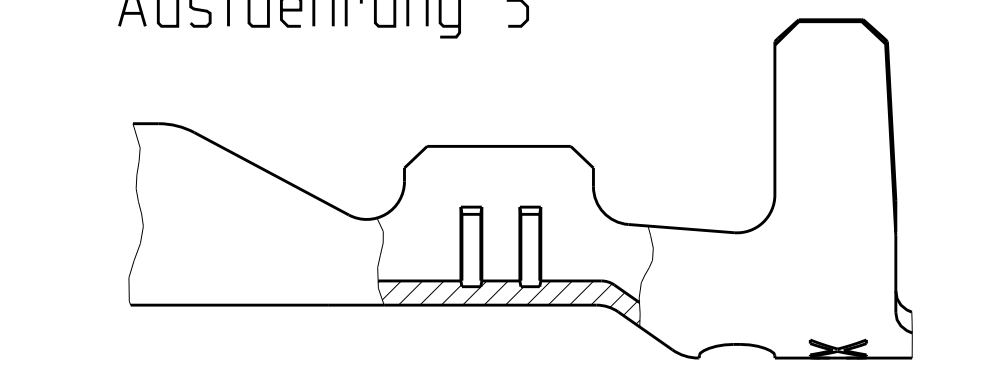


SINGLE WIRE SEAL
Einzeldichtungssystem

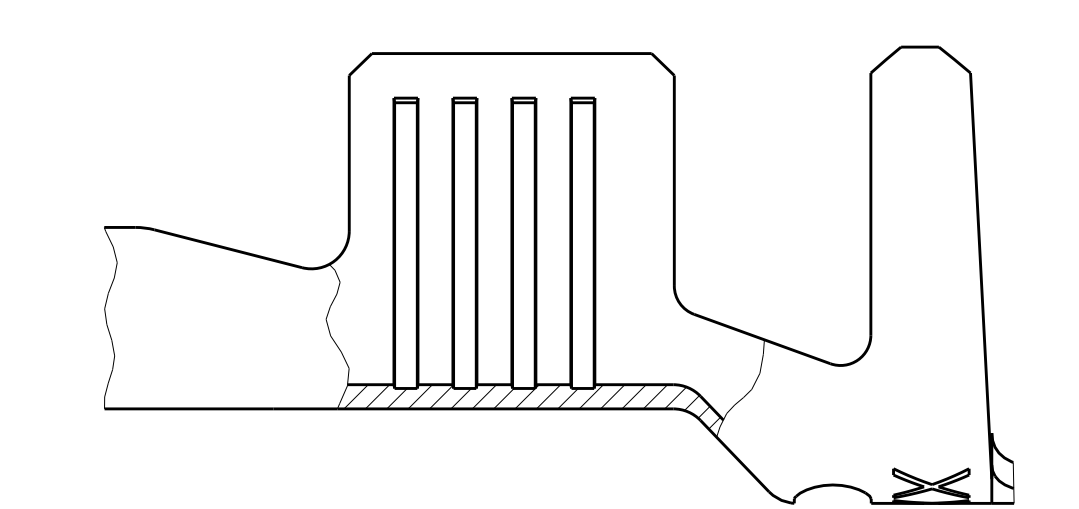
DESIGN 4
Ausführung 4



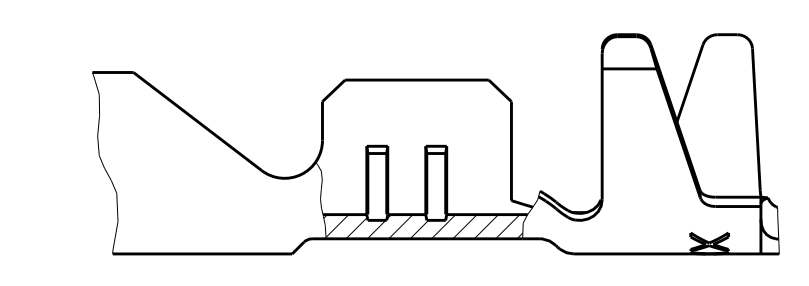
DESIGN 5
Ausführung 5



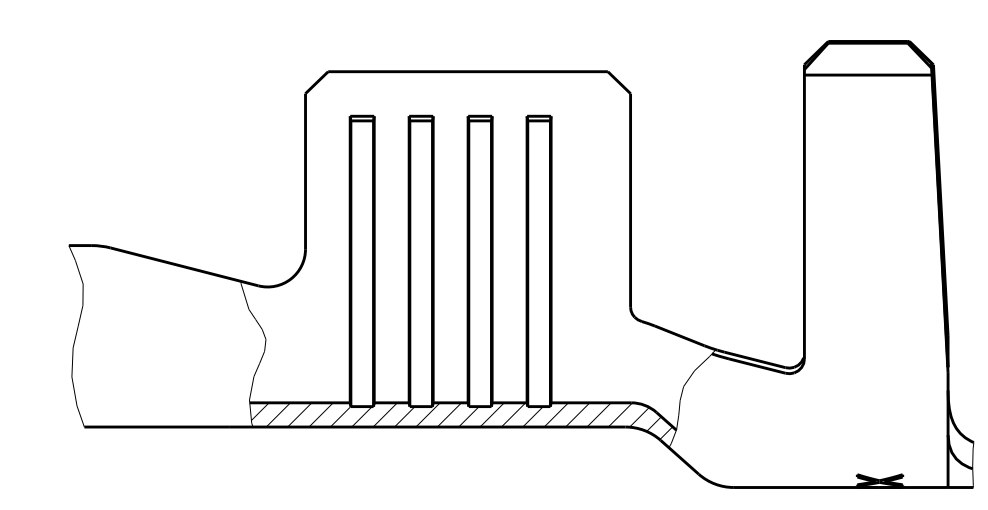
DESIGN 6
Ausführung 6



DESIGN 2
Ausführung 2



DESIGN 3
Ausführung 3



- 1 CONTACT AREA PRE SILVER MIN. 3µm
CANTILEVER SPRING PLAIN
Kontaktzone vorversilbert min. 3µm
Ueberfeder blank
- 2 CONTACT BODY NI-PLATING MIN. 0.5µm; CONTACT AREA PRE-GOLD MIN. 0.6µm
OVER NICKEL; CRIMP AREA PRE-TIN
CANTILEVER SPRING PLAIN
Kontaktkoerper vernickelt min. 0.5µm; Kontaktzone vorvergoldet min. 0.6µm ueber Nickel
Crimpzone vorverzinkt; Ueberfeder blank
- 3 IN THIS AREA CRACK SHAPING AT THE SURFACE PERMISSIBLE
In diesem Bereich Rissbildung in der Oberflaeche zulassig
- 4 PRE-TIN MIN. 1µm; CANTILEVER SPRING PLAIN
vorverzinkt min. 1µm; Ueberfeder blank

- AWG 12 TXL 828905-1 OR / oder 282536-1
AWG 12 GXL 638865-1
- ATTENTION! CONSTRUCTION OF THE CONTACT CAVITY IN THE AREA OF THE SINGLE WIRE SEAL IS Ø6.4^{+0.1}_{-0.05}
Achtung! Die Kammer ist im Bereich der Einzeldichtung auf Ø6.4^{+0.1}_{-0.05} auszuliegen
- PUNCHED WITH VOLATILIZING STAMPING-OIL
Gestanz mit verfluechtigendem Stanzoel

TE ORDER-NO.	DESIGN REV	MATERIAL	SURFACE	DGB	INSULATION	WIRE CRIMP	WIRE CRIMP	APPLICATION TOOL	HAND TOOL	A	B	C	D	TE ORDER-NO.						
STRIPFORM	Ausfuehrung	Werkstoff	Oberflaeche	mm²	Isolationsø	WIRE CRIMP	HEIGHT CH	Anschlagwerkzeug	Handzange					SEALING PLUG						
Bandware					mm	Drahtcrimp	Isolationscrimp	Bandware	Drahtcrimp	Isolationscrimp	Bandware	Drahtcrimp	Isolationscrimp	Blindstopfen						
										CRIMP DIMENSION mm										
										Crimpabmessungen mm										
1-1719504-2	A	4	CuSn4	12 AWG	max. 3.0	E = 4.0 G = 4.2 D _{Dr} = 2.0	H = 5.3 K = 5.0 D = 3.6	AWG 12 = 2.0	1852291-3	-	3.5	6.0	7.6	26.8	828922-1					
3-968947-1	A	4	CuSn0.20	-2.5 - 4.0 FLR	max. 3.7	E = 4.5 G = 4.7 D _{Dr} = 2.3	H = 6.2 K = 6.0 D = 4.3	4.0 mm² = 2.25	MQC APPLICATOR	539635-1	4.3	6.9	8.5	28.5	828985 (Ø6.4)					
2-968947-2	A	6	CuFe						2-541537-2	539727-2					828986-1					
2-968947-1	A	6	CuSn4	-1.0 - 2.5 FLR	max. 3.0	E = 3.6 G = 3.8 D _{Dr} = 1.7	H = 5.3 K = 5.0 D = 3.6	2.5 mm² = 1.88 2.0 mm² = 1.73 1.5 mm² = 1.58	MQC APPLICATOR	734440-1	3.5	6.0	7.6	26.8	828905 (Ø5.0)					
1-968947-2	A	6	CuFe						2-878560-2	1-968947-1					A	6	CuSn4	0.5 - 1.0 FLR	max. 2.1	E = 2.6 G = 2.9 D _{Dr} = 1.2
1-968947-1	A	6	CuSn4	2-878559-2	2-962916-3	E	4	CuFe	0.2 - 0.5 FLR	max. 2.1	E = 2.1 G = 2.1 D _{Dr} = 0.8	H = 4.7 K = 4.5 D = 3.2	0.5 mm² = 1.12 0.35 mm² = 1.05 0.2 mm² = 0.98	MQC APPLICATOR	539635-1	2.5	4.9			
2-962916-3	E	4	CuFe	2-878558-2	1-965982-3	A	5	CuSn4						-2.5 - 4.0 FLR	2.7 - 3.7			E = 4.5 G = 4.7 D _{Dr} = 2.3	H = 5.7 K = 5.9 D = 3.3	4.0 mm² = 2.25
2-962916-2	E	4	CuFe	2-541534-2	2-962843-3	C	1	CuSn4	-1.0 - 2.5 FLK	2.4 - 3.7	E = 3.6 G = 3.8 D _{Dr} = 1.7	H = 5.5 K = 5.7 D = 3.2	2.5 mm² = 1.88 2.0 mm² = 1.73 1.5 mm² = 1.58			MQC APPLICATOR	734417-3			
2-962916-1	E	4	CuFe	2-878552-2	2-962843-2	C	1	CuFe						-1.0 - 2.5 FLR	2.1 - 2.9	E = 3.6 G = 3.8 D _{Dr} = 1.7	H = 4.3 K = 4.5 D = 2.6	2.5 mm² = 1.88 2.0 mm² = 1.73 1.5 mm² = 1.58	MQC APPLICATOR	734417-2
1-962916-3	E	4	CuSn4	2-878551-2	2-962843-1	C	1	CuSn4	0.5 - 1.0 FLR	1.4 - 2.1	E = 2.6 G = 2.8 D _{Dr} = 1.1	H = 3.2 K = 3.4 D = 1.8	1.0 mm² = 1.36 0.75 mm² = 1.27 0.5 mm² = 1.18						MQC APPLICATOR	734417-1
1-962916-2	E	4	CuSn4	2-878550-2	2-962842-3	E	1	CuFe						0.2 - 0.5 FLR	1.3 - 1.6	E = 2.1 G = 2.1 D _{Dr} = 0.8	H = 2.9 K = 2.9 D = 1.4	0.5 mm² = 1.12 0.35 mm² = 1.05 0.2 mm² = 0.98	MQC APPLICATOR	734538-1
1-962916-1	E	4	CuFe	2-878549-2	2-962842-2	F	1	CuFe	0.2 - 0.5 FLR	1.3 - 1.6	E = 2.1 G = 2.1 D _{Dr} = 0.8	H = 2.9 K = 2.9 D = 1.4	0.5 mm² = 1.12 0.35 mm² = 1.05 0.2 mm² = 0.98						MQC APPLICATOR	734538-1
2-962915-3	E	4	CuSn4	2-878548-2	2-962842-1	E	1	CuFe						0.2 - 0.5 FLR	1.3 - 1.6	E = 2.1 G = 2.1 D _{Dr} = 0.8	H = 2.9 K = 2.9 D = 1.4	0.5 mm² = 1.12 0.35 mm² = 1.05 0.2 mm² = 0.98	MQC APPLICATOR	734538-1
2-962915-2	E	4	CuFe	2-878547-2	2-962841-3	F	1	CuSn4	0.2 - 0.5 FLR	1.3 - 1.6	E = 2.1 G = 2.1 D _{Dr} = 0.8	H = 2.9 K = 2.9 D = 1.4	0.5 mm² = 1.12 0.35 mm² = 1.05 0.2 mm² = 0.98						MQC APPLICATOR	734538-1
2-962915-1	E	4	CuSn4	2-878546-2	2-962841-2	F	1	CuFe						0.2 - 0.5 FLR	1.3 - 1.6	E = 2.1 G = 2.1 D _{Dr} = 0.8	H = 2.9 K = 2.9 D = 1.4	0.5 mm² = 1.12 0.35 mm² = 1.05 0.2 mm² = 0.98	MQC APPLICATOR	734538-1
6-962915-6	E	4	CuSn4	2-878545-2	2-962841-1	F	1	CuSn4	0.2 - 0.5 FLR	1.3 - 1.6	E = 2.1 G = 2.1 D _{Dr} = 0.8	H = 2.9 K = 2.9 D = 1.4	0.5 mm² = 1.12 0.35 mm² = 1.05 0.2 mm² = 0.98						MQC APPLICATOR	734538-1
1-962915-3	E	4	CuSn4	2-878544-2	2-963860-3	B	2	CuFe						0.2 - 0.5 FLR	1.3 - 1.6	E = 2.1 G = 2.1 D _{Dr} = 0.8	H = 2.9 K = 2.9 D = 1.4	0.5 mm² = 1.12 0.35 mm² = 1.05 0.2 mm² = 0.98	MQC APPLICATOR	734538-1
1-962915-2	E	4	CuSn4	2-878543-2	2-963860-2	B	2	CuFe	0.2 - 0.5 FLR	1.3 - 1.6	E = 2.1 G = 2.1 D _{Dr} = 0.8	H = 2.9 K = 2.9 D = 1.4	0.5 mm² = 1.12 0.35 mm² = 1.05 0.2 mm² = 0.98						MQC APPLICATOR	734538-1
1-962915-1	E	4	CuSn4	2-878542-2	2-963860-1	B	2	CuFe						0.2 - 0.5 FLR	1.3 - 1.6	E = 2.1 G = 2.1 D _{Dr} = 0.8	H = 2.9 K = 2.9 D = 1.4	0.5 mm² = 1.12 0.35 mm² = 1.05 0.2 mm² = 0.98	MQC APPLICATOR	734538-1
1-962915-1	E	4	CuSn4	2-878541-2	1-963860-3	B	2	CuSn4	0.2 - 0.5 FLR	1.3 - 1.6	E = 2.1 G = 2.1 D _{Dr} = 0.8	H = 2.9 K = 2.9 D = 1.4	0.5 mm² = 1.12 0.35 mm² = 1.05 0.2 mm² = 0.98						MQC APPLICATOR	734538-1
1-962915-1	E	4	CuSn4	2-878540-2	1-963860-2	B	2	CuSn4						0.2 - 0.5 FLR	1.3 - 1.6	E = 2.1 G = 2.1 D _{Dr} = 0.8	H = 2.9 K = 2.9 D = 1.4	0.5 mm² = 1.12 0.35 mm² = 1.05 0.2 mm² = 0.98	MQC APPLICATOR	734538-1
1-962915-1	E	4	CuSn4	2-878539-2	1-963860-1	B	2	CuSn4	0.2 - 0.5 FLR	1.3 - 1.6	E = 2.1 G = 2.1 D _{Dr} = 0.8	H = 2.9 K = 2.9 D = 1.4	0.5 mm² = 1.12 0.35 mm² = 1.05 0.2 mm² = 0.98						MQC APPLICATOR	734538-1

THIS DRAWING IS A CONTROLLED DOCUMENT. DATE: 14 JUN 1999
 DIMENSIONS: mm
 DIMENSIONS: 0.25, 0.5, 1, 2, 3, 4, 5, 6, 8, 10, 12, 15, 20, 25, 30, 40, 50, 60, 80, 100, 125, 150, 200, 250, 300, 400, 500, 600, 800, 1000, 1250, 1500, 2000, 2500, 3000, 4000, 5000, 6000, 8000, 10000, 12500, 15000, 20000, 25000, 30000, 40000, 50000, 60000, 80000, 100000, 125000, 150000, 200000, 250000, 300000, 400000, 500000, 600000, 800000, 1000000, 1250000, 1500000, 2000000, 2500000, 3000000, 4000000, 5000000, 6000000, 8000000, 10000000, 12500000, 15000000, 20000000, 25000000, 30000000, 40000000, 50000000, 60000000, 80000000, 100000000, 125000000, 150000000, 200000000, 250000000, 300000000, 400000000, 500000000, 600000000, 800000000, 1000000000, 1250000000, 1500000000, 2000000000, 2500000000, 3000000000, 4000000000, 5000000000, 6000000000, 8000000000, 10000000000, 12500000000, 15000000000, 20000000000, 25000000000, 30000000000, 40000000000, 50000000000, 60000000000, 80000000000, 100000000000, 125000000000, 150000000000, 200000000000, 250000000000, 300000000000, 400000000000, 500000000000, 600000000000, 800000000000, 1000000000000, 1250000000000, 1500000000000, 2000000000000, 2500000000000, 3000000000000, 4000000000000, 5000000000000, 6000000000000, 8000000000000, 10000000000000, 12500000000000, 15000000000000, 20000000000000, 25000000000000, 30000000000000, 40000000000000, 50000000000000, 60000000000000, 80000000000000, 100000000000000, 125000000000000, 150000000000000, 200000000000000, 250000000000000, 300000000000000, 400000000000000, 500000000000000, 600000000000000, 800000000000000, 1000000000000000, 1250000000000000, 1500000000000000, 2000000000000000, 2500000000000000, 3000000000000000, 4000000000000000, 5000000000000000, 6000000000000000, 8000000000000000, 10000000000000000, 12500000000000000, 15000000000000000, 20000000000000000, 25000000000000000, 30000000000000000, 40000000000000000, 50000000000000000, 60000000000000000, 80000000000000000, 100000000000000000, 125000000000000000, 150000000000000000, 200000000000000000, 250000000000000000, 300000000000000000, 400000000000000000, 500000000000000000, 600000000000000000, 800000000000000000, 1000000000000000000, 1250000000000000000, 1500000000000000000, 2000000000000000000, 2500000000000000000, 3000000000000000000, 4000000000000000000, 5000000000000000000, 6000000000000000000, 8000000000000000000, 10000000000000000000, 12500000000000000000, 15000000000000000000, 20000000000000000000, 25000000000000000000, 30000000000000000000, 40000000000000000000, 50000000000000000000, 60000000000000000000, 80000000000000000000, 100000000000000000000, 125000000000000000000, 150000000000000000000, 200000000000000000000, 250000000000000000000, 300000000000000000000, 400000000000000000000, 500000000000000000000, 600000000000000000000, 800000000000000000000, 1000000000000000000000, 1250000000000000000000, 1500000000000000000000, 2000000000000000000000, 2500000000000000000000, 3000000000000000000000, 4000000000000000000000, 5000000000000000000000, 6000000000000000000000, 8000000000000000000000, 10000000000000000000000, 12500000000000000000000, 15000000000000000000000, 20000000000000000000000, 25000000000000000000000, 30000000000000000000000, 40000000000000000000000, 50000000000000000000000, 60000000000000000