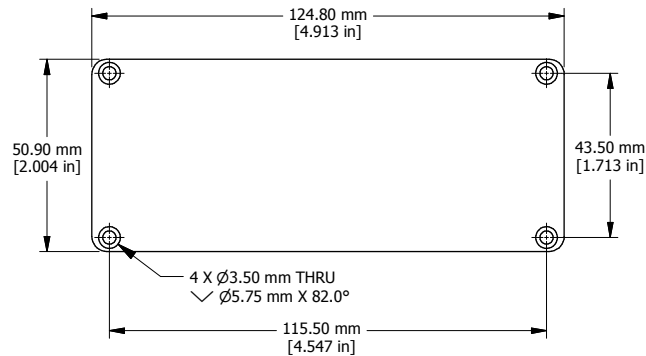
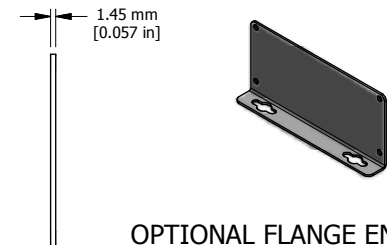


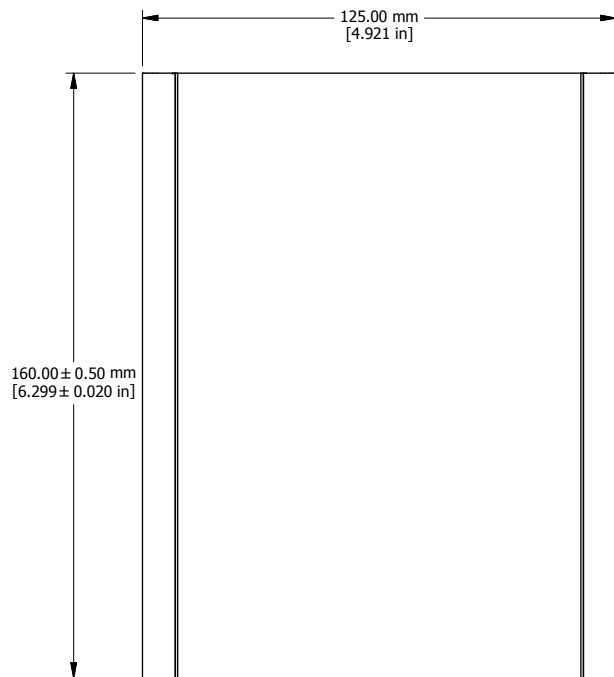
EXTRUSION



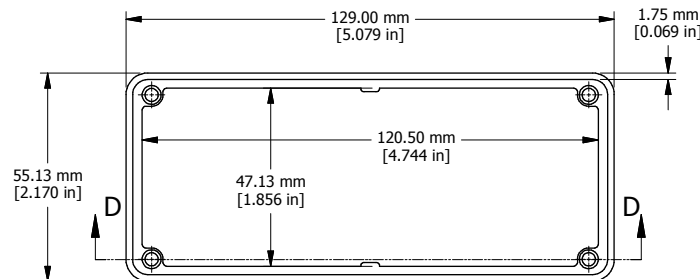
END PLATE



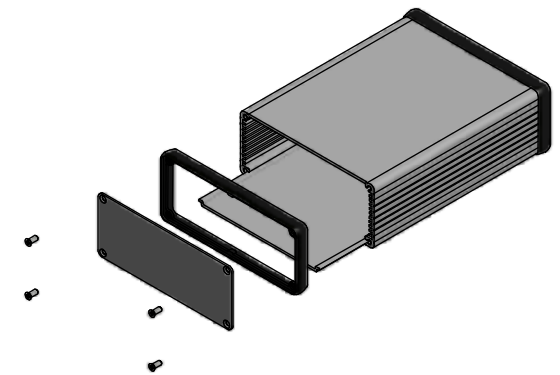
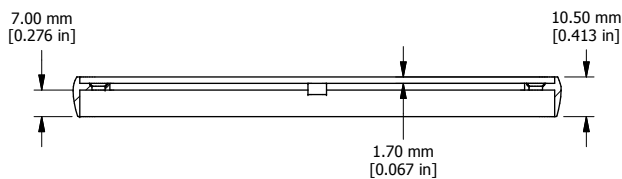
OPTIONAL FLANGE END PANEL
1455QF



EXTRUSION DESIGNED FOR 120MM WIDE PC BOARD



OPEN BEZEL



EXPLODED ASSEMBLY VIEW

Enclosures can be Factory Modified (Milling, Drilling, Printing etc.)
Solid models of this enclosure available in STEP or IGES.
Contact Factory mjm@hammondmg.com

NOTE

Purchased assembly includes box, plastic bezels, end panels, #6
Taptight screws and self adhesive rubber feet.
Box made from Extruded Aluminum 6063.
Bezels made with polycarbonate.

1455Q1601

PART NUMBERS

| | |
|----------------|-------------|
| Clear Anodized | 1455Q1601 |
| Black Anodized | 1455Q1601BK |
| Blue Anodized | 1455Q1601BU |
| Red Anodized | 1455Q1601RD |

ACCESSORIES

See website for accessories.

