

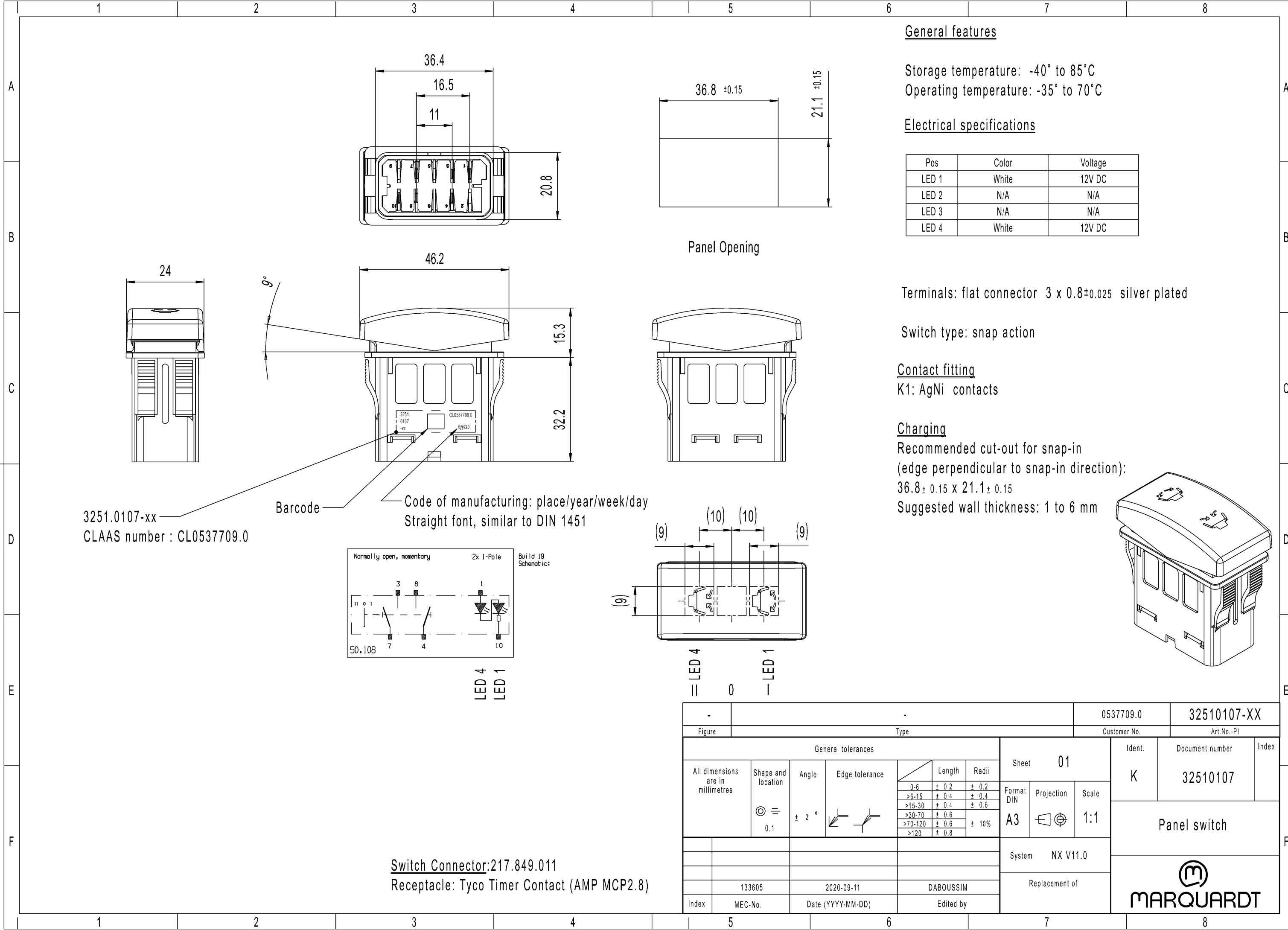
THIS DRAWING IS THE EXCLUSIVE PROPERTY OF MARQUARDT. WITHOUT THEIR CONSENT IT MAY NOT BE REPRODUCED OR GIVEN TO THIRD PARTIES.

CONFIDENTIAL

VERTRAULICH

Alle Rechte bei Marquardt, auch fuer den Fall von Schutzrechtsanmeldungen. Jede Veruegungsbefugnis, wie Kopier- und Weitergaberecht, bei uns.

©



General features

Storage temperature: -40° to 85°C  
 Operating temperature: -35° to 70°C

Electrical specifications

Pos	Color	Voltage
LED 1	White	12V DC
LED 2	N/A	N/A
LED 3	N/A	N/A
LED 4	White	12V DC

Terminals: flat connector 3 x 0.8±0.025 silver plated

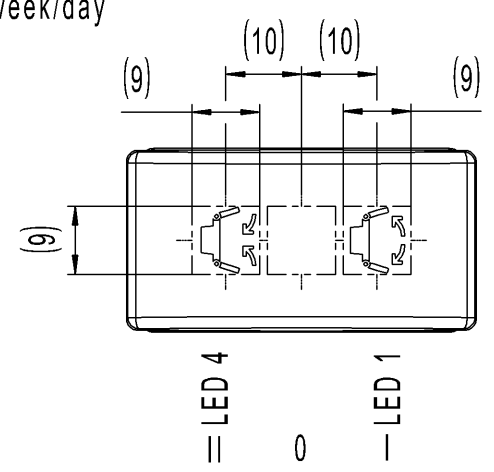
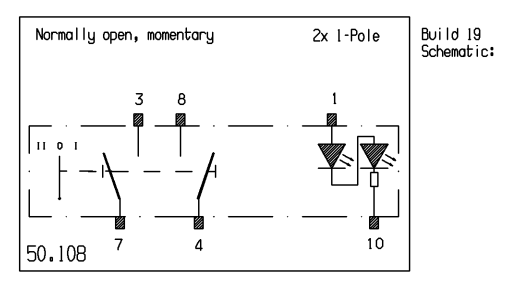
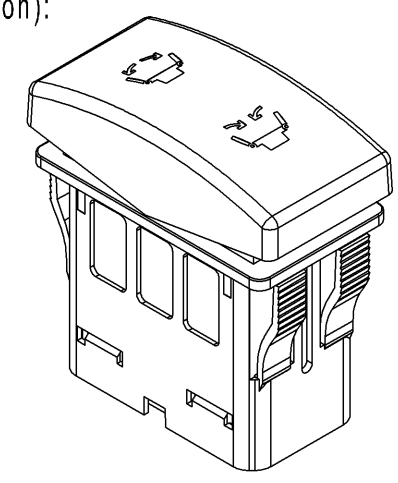
Switch type: snap action

Contact fitting

K1: AgNi contacts

Charging

Recommended cut-out for snap-in  
 (edge perpendicular to snap-in direction):  
 36.8 ± 0.15 x 21.1 ± 0.15  
 Suggested wall thickness: 1 to 6 mm



3251.0107-xx  
 CLAAS number : CL0537709.0

Barcode  
 Code of manufacturing: place/year/week/day  
 Straight font, similar to DIN 1451

Switch Connector: 217.849.011  
 Receptacle: Tyco Timer Contact (AMP MCP2.8)

-		-		0537709.0		32510107-XX		
Figure		Type		Customer No.		Art.No.-PI		
General tolerances				Sheet 01		Ident. K		
All dimensions are in millimetres	Shape and location ⊙ ≡ 0.1	Angle ± 2°	Edge tolerance 	Length	Radii	Format DIN A3	Projection	
				0-6	± 0.2			± 0.2
				>6-15	± 0.4			± 0.4
				>15-30	± 0.4			± 0.6
				>30-70	± 0.6			
>70-120	± 0.6	± 10%						
>120	± 0.8					Scale 1:1	Panel switch	
System NX V11.0		Replacement of		 <b>MARQUARDT</b>				
133605		2020-09-11						
Date (YYYY-MM-DD)		DABOUSSIM						
Index MEC-No.		Edited by						