

Apacer

The Most **Reliable**
Storage For Industries

ST170-CFast



ST170-CFast

Overview

Apacer ST170-CFast is the latest enhancement of conventional CFast form factor that delivers various technological advantages. It utilizes 3D NAND for higher capacity up to 480 GB and provides more power efficiency than 2D NAND. This new flash memory card comes with SATA 6.0 Gbps interface for higher performance and consists of SATA-based 7-pin signal segment and 17-pin for power and control purposes. Designed without DRAM on the internal controlling unit, ST170-CFast ensures data integrity by preventing data loss during a sudden power outage.



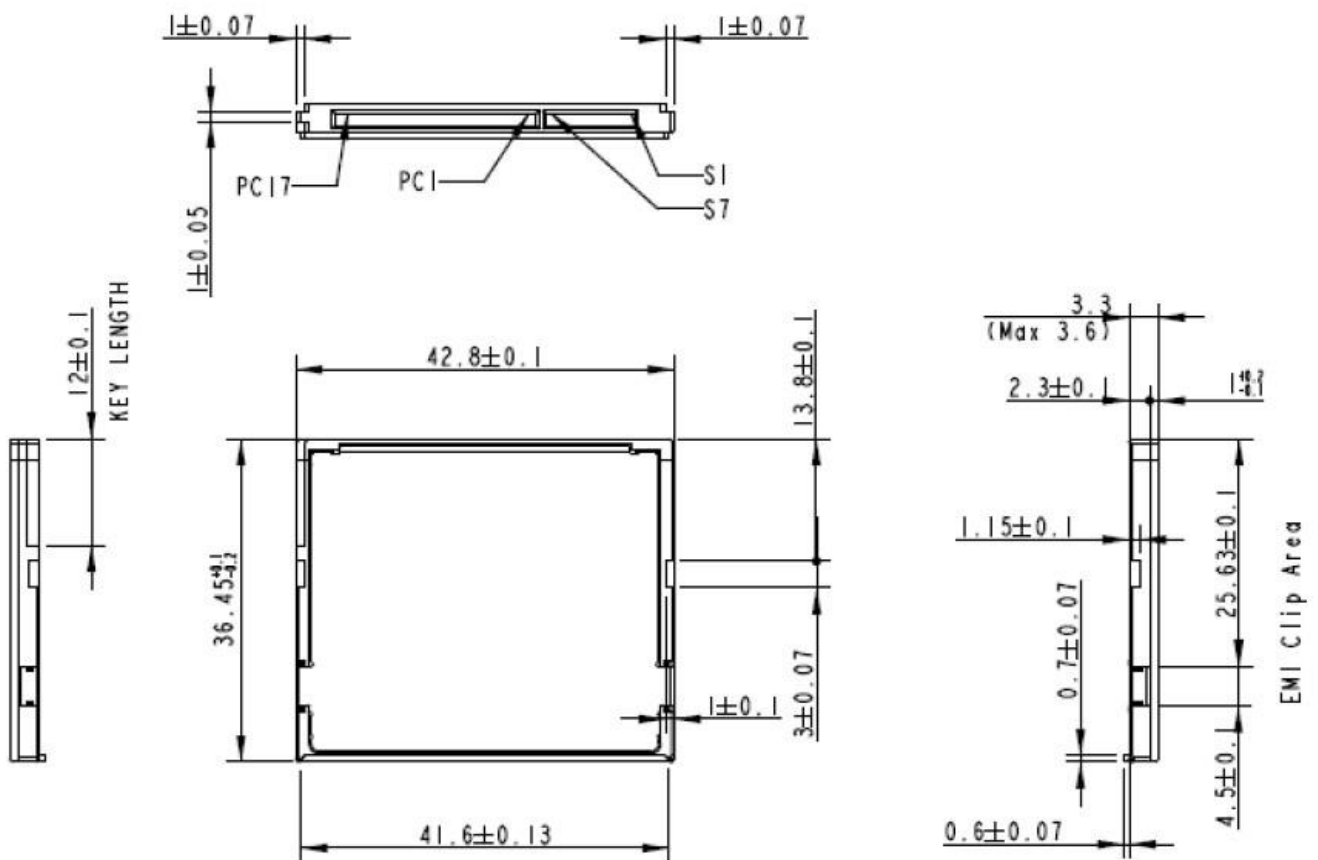
Feature

- Support LDPC ECC
- Global Wear Leveling
- Flash bad-block management
- S.M.A.R.T. SSD Widget
- Power Failure Management
- End-to-End Data Protection
- TRIM Support

Specifications

Model	ST170-CFast
Interface	SATA 3.2 (6Gb/s)
Connector	(7+15) pin male
Form Factor	CFast
NAND Flash Type	3D TLC
Capacity	30GB~480GB
External DRAM	No
Sustained Read Performance (MB/sec)	Up to 560
Sustained Write Performance (MB/sec)	Up to 495
ECC Engine	Low-Density Parity-Check (LDPC) Code
IOPS (4K Random Write)	84K
Standard Operating Temperature (°C)	0 ~ + 70
Storage Temperature (°C)	-40 ~ + 100
Housing	YES
H/W Write Protect	NO
Screw Hole	NO
Thermal Sensor	YES
Shock	Operation: 50G, 11ms Non-operation: 1500G, 0.5ms
Vibration	Operation: 7.69 Grms, 20~2000 Hz/random (compliant with MIL-STD-810G) Non-operation: 4.02 Grms, 15 ~ 2000 Hz/sine (compliant with MIL-STD-810G)
Operating Voltage	3.3V ± 5% (3.135-3.465V)
Power Consumption	Active mode: 355 mA / Idle mode: 90 mA
Dimension (L x W x H)	36.4 mm x 42.8 mm x 3.6mm
MTBF (hours)	>3,000,000

Mechanical Specification



Unit:mm

**For more information,
contact your Apacer representative**

Global Presence

Taiwan
(Headquarters)
Apacer Technology
Inc. Tel: +886-2-
2267-8000
Fax: +886-2-2267-
2668
Apacer Technology
Corp. Tel: +81-3-5419-
2668
Fax: +81-3-5419-0018

Europe
Apacer Technology
B.V. Tel: +31-40-267-
0000
Fax: +31-40-290-0686
India
Apacer Technologies Pvt.
Ltd. Tel: +91-80-
41529061~3
Fax: +91-80-41700215

U.S.A.
Apacer Memory America,
Inc. Tel: +1-408-518-8699
Fax: 1-510-249-9551

China
Apacer
Electronic(Shanghai) Co.,
Ltd.
Tel: +86-21-6228-9939