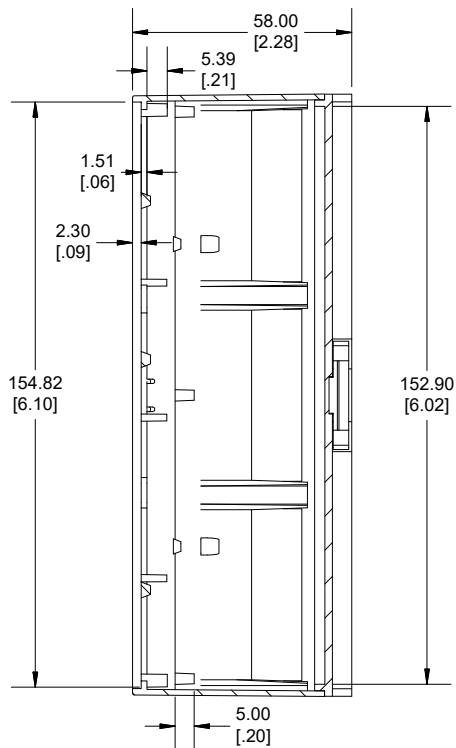
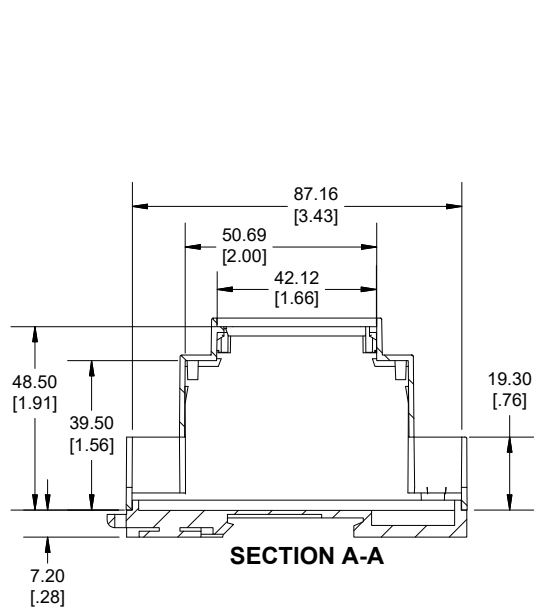
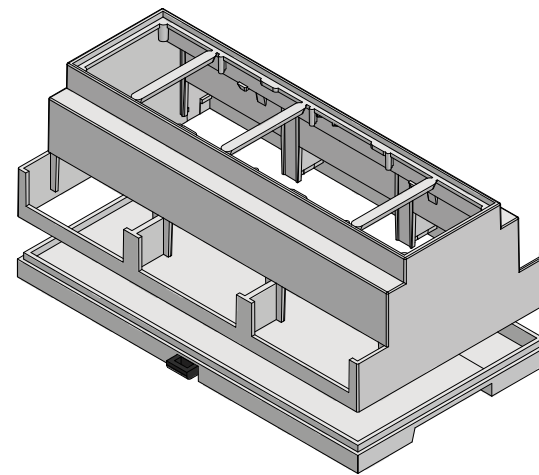


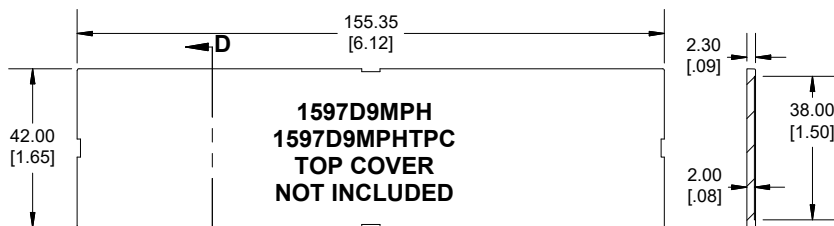
TOP VIEW



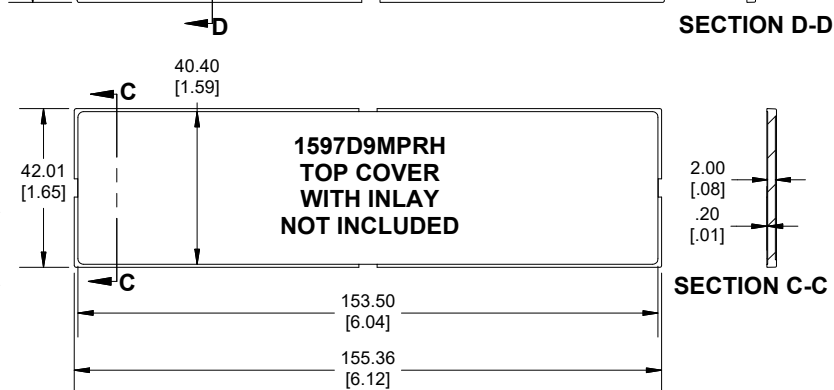
SECTION B-B



SECTION A-A



SECTION D-D



SECTION C-C

TERMINAL COVER
DRAWINGS ARE
AVAILABLE

Dimensions:
mm
[inches]

Enclosures can be Factory Modified (Milling, Drilling, Printing etc.)
Contact Factory (modshop@hammfg.com) for quotes
Solid models of this enclosure available in .stp or .x_t
(Part number and text placement/orientation on our products are subject to change,
we do not recommend using them as a locating reference for modification purposes)

NOTE	
Purchased enclosure includes base, cover and din clip. Cover and base made from PPO.	
PART NUMBERS	
1597DIN	
Enclosure grey Module 9	1597DIN9MDH53
ACCESSORIES	
TOP COVER, GREY	1597D9MPH
TOP COVER, CLEAR	1597D9MPRHTPC
TOP COVER WITH INLAY, GREY	1597D9MPRH
TERMINAL COVER BLANK CLOSED	1597D3MTC
TERMINAL COVER WITH HOLES	1597D3MTC6
TERMINAL COVER WITH PUNCH-OUT HOLES	1597D3MTCKO
TERMINAL COVER WITH BUS CONNECTOR	1597D3MBC
TERMINAL COVER BLANK OPEN	1597D3MTCP
BREAD BOARD	1597D4MADP
DIN CLIP	1597DINCLIPXT

**HAMMOND
MANUFACTURING®**
1597DIN9MDH53
www.hammondmfg.com