

**DISPLAY Elektronik GmbH**

# DATA SHEET

**TFT MODULE**

**DEM 120240A VMH-PW-N**

**1,05“ TFT**

**Product Specification**

**Ver.: 0**

**24.07.2023**

0	24.072023	New release.	WYC	LSB
---	-----------	--------------	-----	-----

# **CONTENTS**

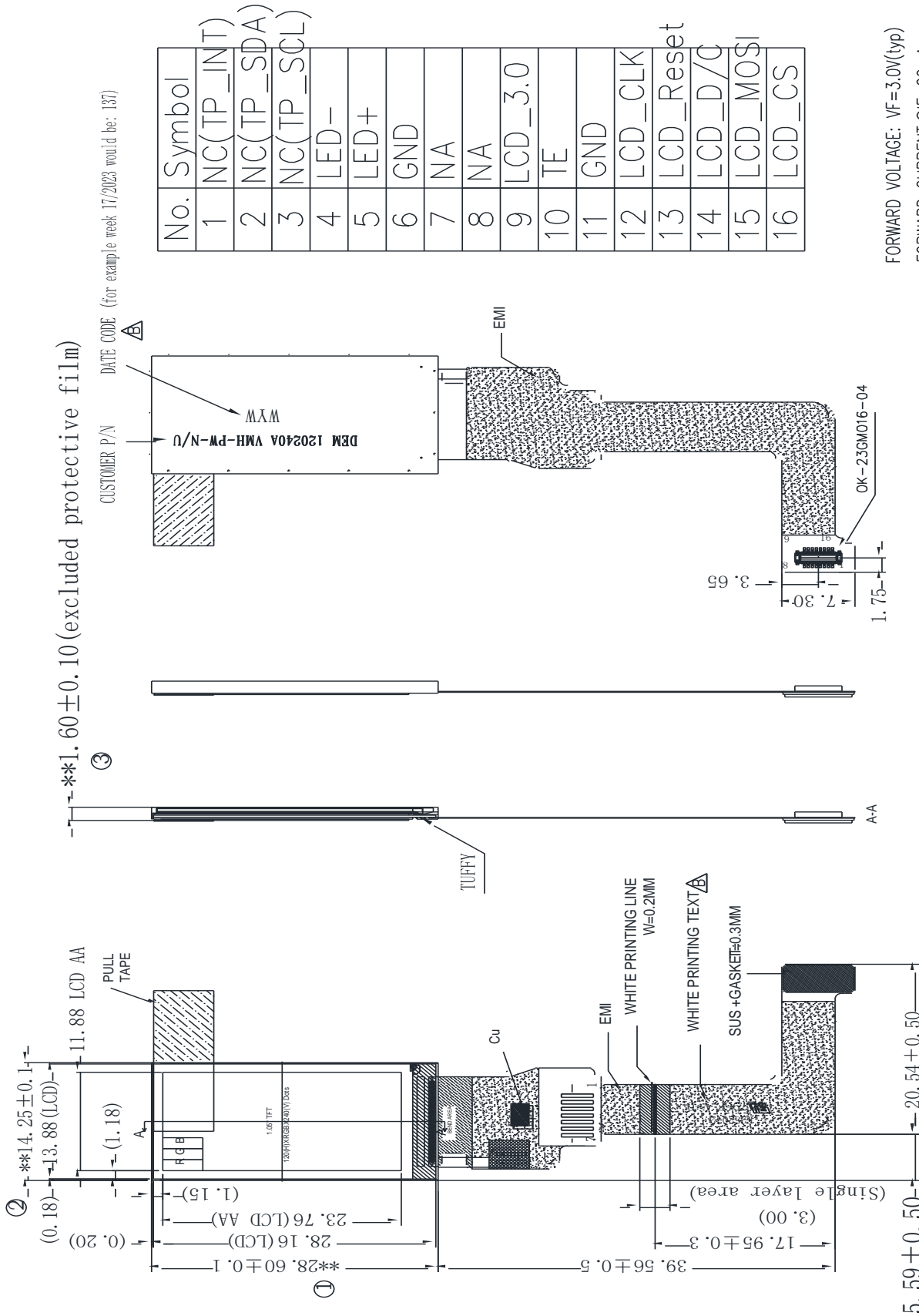
- 1.0 GENERAL SPECIFICATION**
- 2.0 OUTLINE DRAWING**
- 3.0 INTERFACE PIN DESCRIPTION**
- 4.0 BLOCK DIAGRAM**
- 5.0 OPERATING PRINCIPLE & DRIVING METHOD**
- 6.0 ABSOLUTE MAXIMUM RATINGS**
- 7.0 ELECTRICAL CHARACTERISTICS**
- 8.0 ELECTRO-OPTICAL CHARACTERISTICS**
- 9.0 BACKLIGHT SPECIFICATION**
- 10.0 RELIABILITY SPECIFICATION**
- 11.0 QUALITY SPECIFICATION**
- 12.0 ENVIRONMENTAL SPECIFICATION**
- 13.0 PACKAGING SPECIFICATION**
- 14.0 GENERAL PRECAUTIONS FOR USING LCD MODULES**
- 15.0 APPENDIX**

**1.0 GENERAL SPECIFICATION**

Item	Contents	Unit
Display Mode	1.05 TFT Transmissive/IPS/Normally Black	-
Module outer dimension	14.25 x 28.6 x 1.6 (Excluded FPC length)	mm
Pixel Size	0.099 × 0.099	mm
Effective display area	11.88 x 23.76	mm
Number of dots	120 x RGB × 240	dots
Viewing direction	Free	O'clock
Pixel Arrangement	RGB Vertical Stripe	-
Backlight	LED white backlight	-
Driver IC	GC9A01N	-
Interface type	4 Line SPI	-
Number Of Colors	262K	-
Operating temperature	-20 ~ 60	°C
Storage temperature	-30 ~ 70	°C

Remarks: Normal operating condition is temperature 15~35°C, humidity 45%~75%RH, atmospheric pressure 86~106kPa.

2.0 OUTLINE DRAWING



FORWARD VOLTAGE: VF=3.0V(typ)  
 FORWARD CURRENT: IF=20mA  
 BACKLIGHT TYPE: 1 CHIP WHITE LED  
 LCM LUMINANCE: 550cd/m2(typ)

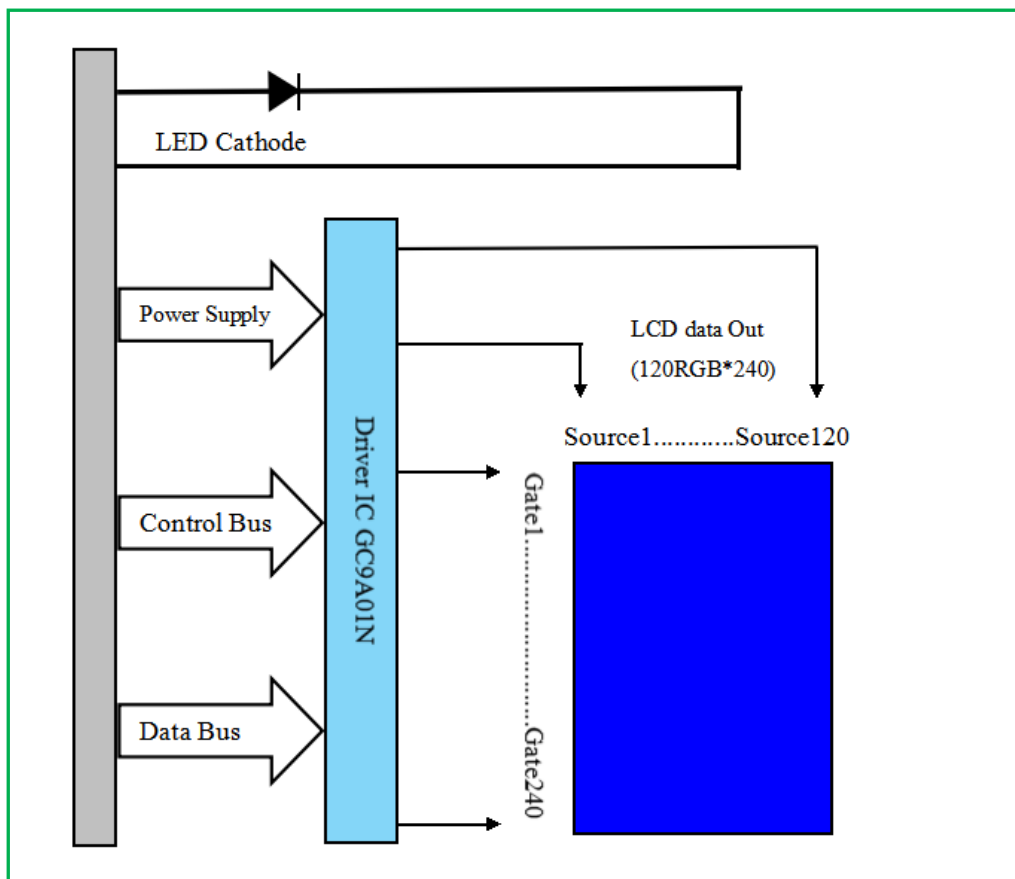


- NOTE:
1. "?" SPECIAL DIMENSION (PPK/CPK DATA NEEDED > 1.67)
  2. "\*" CONTROL DIMENSION
  3. No Use of Prohibited Substances defined in SOP-E-05-009 and Only purchase Designated Row Materials from Green Partners.
  4. DRIVER IC : GC9A01N;

### 3.0 INTERFACE PIN DESCRIPTION

Pin No.	Symbol	Pin Description
1	NC(TP_INT)	No connection
2	NC(TP_SDA)	No connection
3	NC(TP_SCL)	No connection
4	LED-	LED backlight cathode.
5	LED+	LED backlight anode.
6	GND	Ground
7~8	NA	No connection
9	LCD_3.0	Power supply voltage
10	TE	Tearing effect pin
11	GND	Ground
12	LCD_CLK	Serial clock signal interface
13	LCD_Reset	Reset signal interface pin
14	LCD_D/C	Display data/command selection pin
15	LCD_MOSI	Serial Data Transport Interface
16	LCD_CS	Chip selection pin. Low-active

### 4.0 BLOCK DIAGRAM



## 5.0 OPERATING PRINCIPLE & DRIVING METHOD

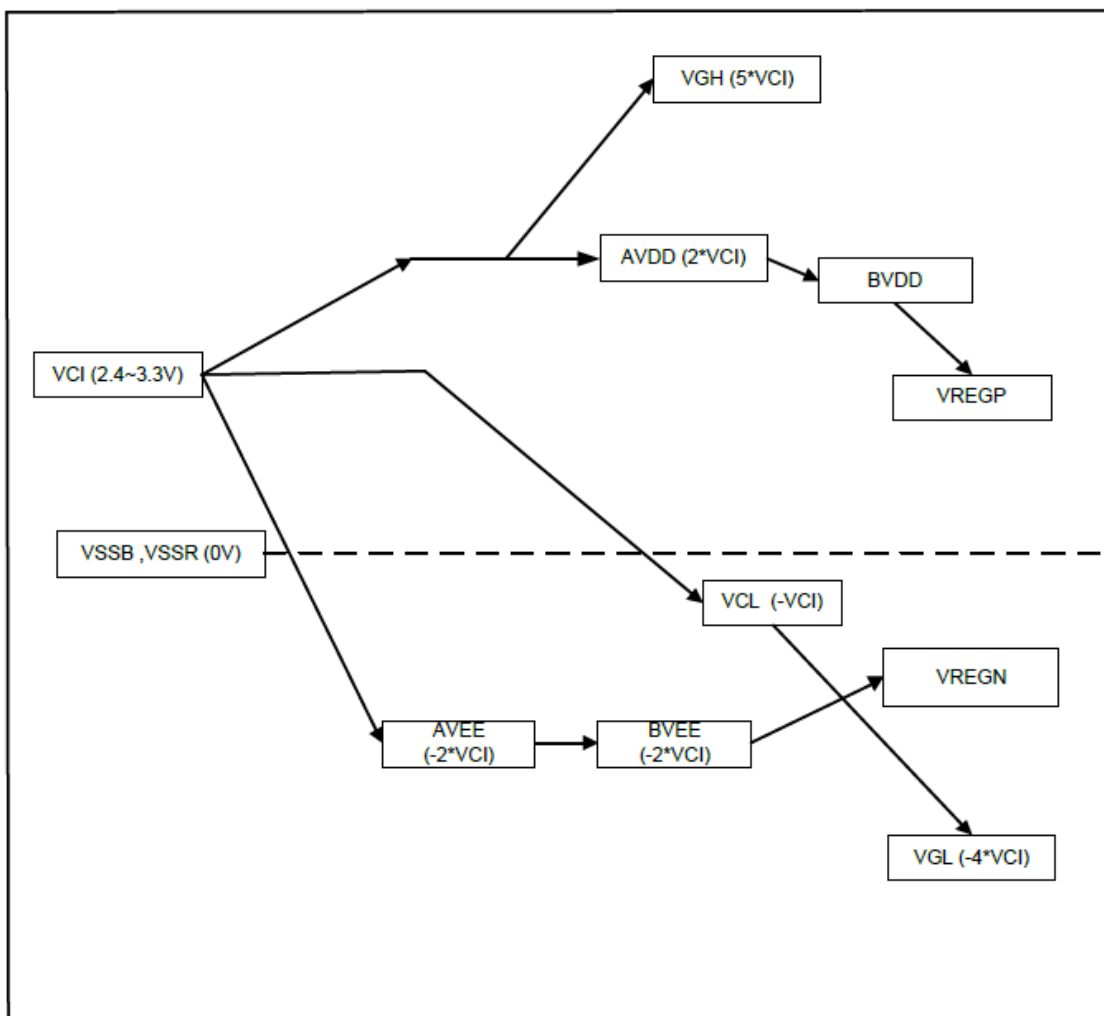
- 5.1 Please refer to GC9A01 A(V1.0) IC data sheet.
- 5.2 Instruction Description (based on IC spec ver as stated in 6.1 where the product is designed). This instruction description is for reference only. Customer is encouraged to always refer to the latest IC specification when developing application system platform.
- 5.3 Recommended initial codes

TBD

### Notes:

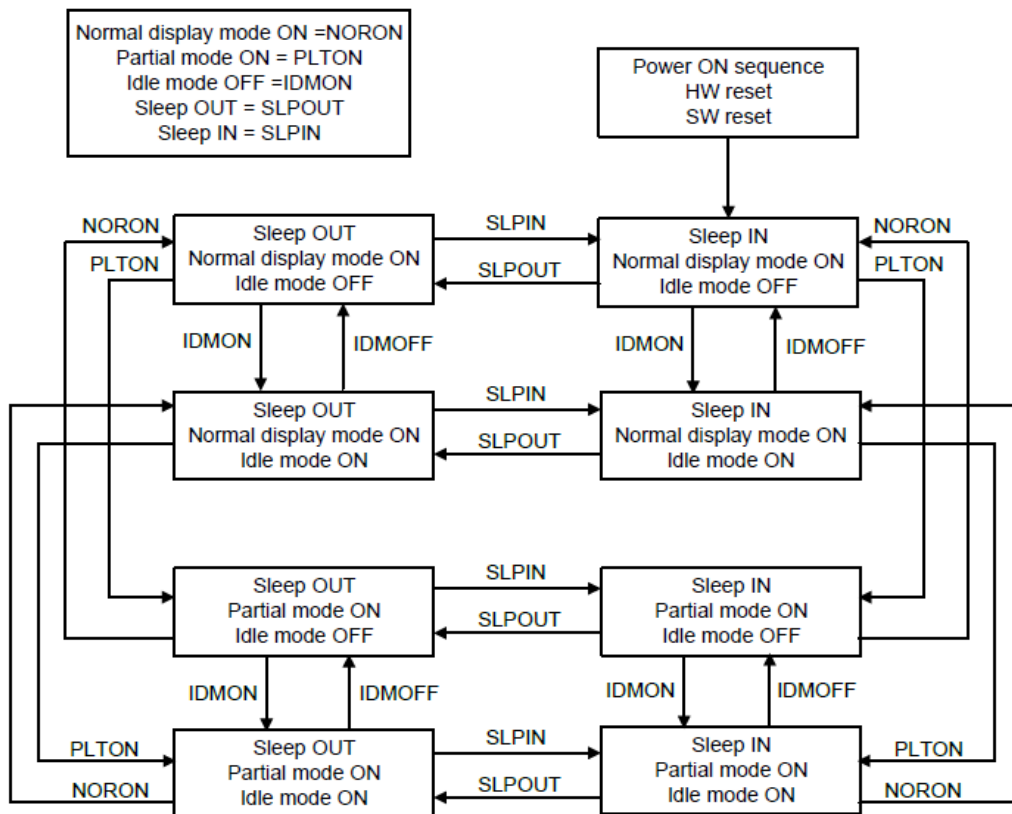
- 1) These initial codes are only for reference, Customer should optimize above setting according to the display pattern and application used.
- 2) Customer is advised to refer to "General Handling Precaution of LCD Modules" section in this product specification regarding the operating precaution of LCD modules, when optimizing the display initialization setting.
- 3) Display Elektronik GmbH will use above initial code for production testing by default. Customer is advised to highlight to Display Elektronik GmbH in case that initial code setting in customer application is different with above initial code. Reason is to ensure Display Elektronik GmbH testing is in-line with customer application as close as possible for good quality control.

### 5.4 LCD power generation scheme



**LCD power generation scheme**

5.5 Power Flow Chart



Note 1: There is not any abnormal visual effect when there is changing from one power mode to another power mode.

Note 2: There is not any limitation, which is not specified by User, when there is changing from one power mode to another power mode.

5.6 Timing Characteristics

7.3.4. Display Serial Interface Timing Characteristics (4-line SPI system)

Figure98.

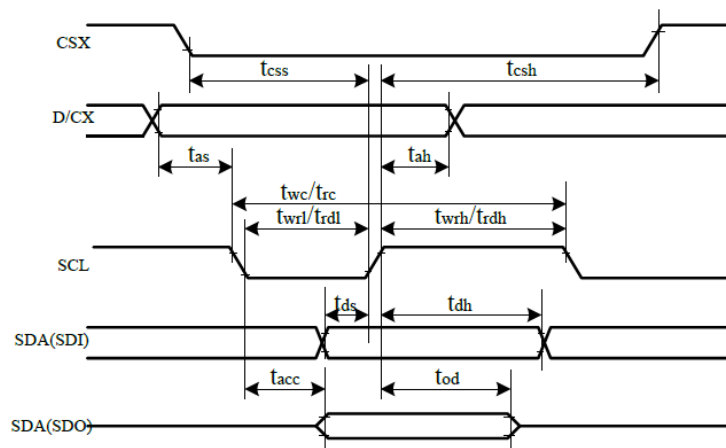


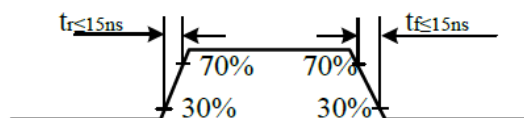


Table48.

Signal	Symbol	Parameter	min	max	Unit	Description
CSX	tcss	Chip select time (Write)	20	-	ns	
	tcsH	Chip select hold time (Read)	40	-	ns	
SCL	twc	Serial Clock Cycle (Write)	10	-	ns	
	twrh	SCL "H" Pulse Width (Write)	5	-	ns	
	twrl	SCL "L" Pulse Width (Write)	5	-	ns	
	trc	Serial Clock Cycle (Read)	150	-	ns	
	trdh	SCL "H" Pulse Width (Read)	60	-	ns	
	trdl	SCL "L" Pulse Width (Read)	60	-	ns	
D/CX	tas	D/CX setup time	10	-	ns	
	tah	D/CX hold time (Write/Read)	10	-	ns	
SDA/SDI (Input)	tds	Data setup time (Write)	5	-	ns	
	tdh	Data hold time (Write)	5	-	ns	
SDA/SD0 (Output)	tacc	Access time (Read)	10	-	ns	

Note:  $T_a = 25^\circ\text{C}$ ,  $IOVCC=1.65\text{V to }3.3\text{V}$ ,  $VCI=2.5\text{V to }3.3\text{V}$ ,  $AGND=VSS=0\text{V}$

Figure99.



## 6.0 ABSOLUTE MAXIMUM RATINGS ( $T_a = 25^\circ\text{C}$ , $V_{SS} = 0\text{V}$ , $LCD\_3.0=V_{DD}$ )

Parameter	Symbol	Min	Typ.	Max	Unit
Supply voltage for Logic	$V_{DD}$	-0.3	-	4.6	V
Driver supply voltage	$V_{GH}-V_{GL}$	-0.3	-	27	V
Input voltage	$V_{IN}$	-0.3	-	$V_{DD}+0.3$	V
Output voltage	$V_o$	-0.3	-	$V_{DD}+0.3$	V
Operating Temperature	$T_{op}$	-20	-	60	$^\circ\text{C}$
Storage Temperature	$T_{st}$	-30	-	70	$^\circ\text{C}$

**7.0 ELECTRICAL CHARACTERISTICS** ( $T_a = 25^\circ\text{C}$ ,  $V_{SS} = 0\text{ V}$ ,  $\text{LCD\_3.0} = V_{DD}$ )

Parameter	Symbol	Condition	Min	Typ.	Max	Unit
System voltage	$V_{DD}$	-	2.5	3.0	3.3	V
Gate on power	VGH	-	-	12	-	V
Gate off power	VGL	-	-	-12	-	V
Vcom	Vcom	-	-	(0)	-	V
Logic high input voltage	$V_{IH}$	-	$0.7V_{DD}$	-	$V_{DD}$	V
Logic low input voltage	$V_{IL}$	-	0	-	$0.3V_{DD}$	V
Logic high output voltage	$V_{OH}$	$I_{OL} = -1.0\text{mA}$	$0.8V_{DD}$	-	$V_{DD}$	V
Logic low output voltage	$V_{OL}$	$I_{OL} = +1.0\text{mA}$	0	-	$0.2V_{DD}$	V
LCM supply current	$I_{LCM}$	-	-	TBD	TBD	mA

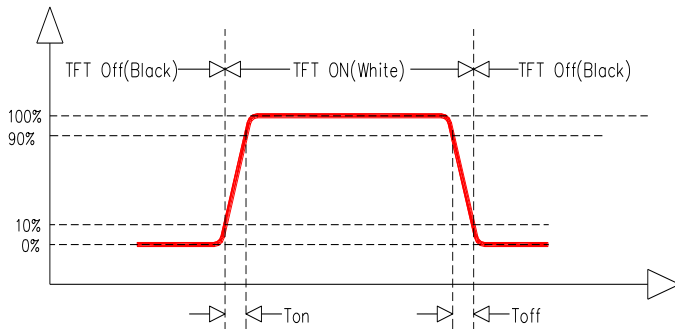
**8.0 ELECTRO-OPTICAL CHARACTERISTICS** ( $T_a = 25^\circ\text{C}$ ,  $V_{SS} = 0\text{ V}$ ,  $\text{LCD\_3.0} = V_{DD}$ )

No	Item	Symbol	Condition	Min.	Typ.	Max.	Unit	Note	
1	Response Time	$T_{on} + T_{off}$	$\theta = \phi = 0^\circ$	-	TBD	40	ms	(a)	
2	Contrast Ratio	CR	$\theta = \phi = 0^\circ$	800	TBD	-	-	(c)	
3	Viewing Angle ( $CR \geq 10$ )	3:00	$\phi = 0^\circ$	70	TBD	-	Deg	(b)	
		9:00	$\phi = 180^\circ$	70	TBD	-	Deg		
		12:00	$\phi = 90^\circ$	70	TBD	-	Deg		
		6:00	$\phi = 270^\circ$	70	TBD	-	Deg		
4	Brightness on LCM	$L_{LCM}$	$\theta = 0^\circ$ $\phi = 0^\circ$   $25^\circ\text{C}$	500	550	--	cd/m <sup>2</sup>	(d)	
5	Color Chromaticity (Center point of LCM) (CIE1931)	White	Wx	$\theta = 0^\circ, \phi = 0^\circ$ $T_a = 25^\circ\text{C}$	0.261	0.311	0.361	-	-
			Wy		0.272	0.322	0.372	-	-
		Red	Rx		0.55	0.60	0.65	-	-
			Ry		0.28	0.33	0.38	-	-
		Green	Gx		0.337	0.387	0.437	-	-
			Gy		0.532	0.582	0.632	-	-
		Blue	Bx		0.102	0.152	0.202	-	-
			By		0.056	0.106	0.156	-	-
6	NTSC			50.8%					

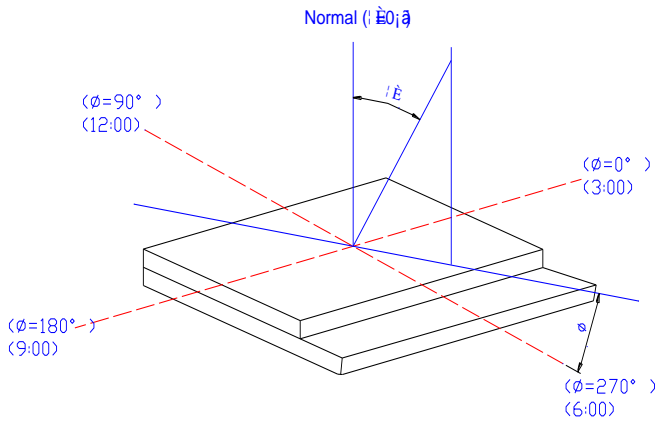
## Remarks:

- 1) EOC data above is measured using DMS-501 display measurement system.
- 2) Brightness data is measured using photometer Topcon BM-7.

Note(a): Definition of Response Time



Note (b): Definition of Viewing Angle



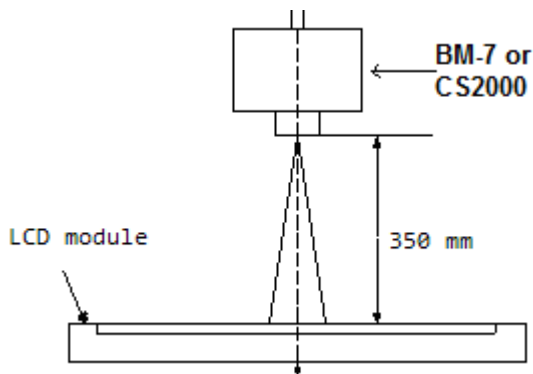
Note (c): Definition of Contrast Ratio

$$CR = \text{Brightness at all pixels "White"} / \text{Brightness at all pixels "Black"}$$

Note (d): backlight driving condition:  $I_f = 20\text{mA}$

Luminance measuring point: Center of the dot matrix under white pattern

measuring setup as below figure:



## 9.0 BACKLIGHT SPECIFICATION

### 9.1 LED Backlight Electrical-optical characteristics

Item of backlight characteristics	Symbol	Min	Typ	Max	Unit	Condition
Forward voltage	$V_f$	2.9	3.0	3.3	V	1.If=20mA, T=25°C 2.Aperture:1°,5 Points 3.Average=min/max*100%
Uniformity	$\Delta$	80	-	-	%	-
Number of LED	-	1			Piece	-
Connection mode	S/P/M	-			-	-
Life time	30000Hrs (When the LED luminous intensity attenuation to 50% at the beginning of the luminous intensity of time)					1.Ta=25±5 °C, RH=60% ± 10%; If=20mA 2.No other interference, Such as Current, Voltage suddenly rise, Electrostatic shock, etc.

Remarks: chromaticity and luminance data are measured using photometer Topcon BM-7.

## 10.0 RELIABILITY SPECIFICATION

### 10.1 Reliability Test Conditions

No	Test Item	Test Conditions
1	High temperature storage	70°C, 240hrs
2	High temperature operation	60°C, 240hrs
3	Low temperature storage	-30°C, 240hrs
4	Low temperature operation	-20°C, 240hrs
5	High temperature humidity operation	40°C, 90%RH, 240hrs
6	Temperature cycling storage	-30±2°C(30min) ~ 25°C(5min) ~ 70±2°C(30min), 10Cycle.
7	Vibration Test((on packaging)	Frequency:10-55Hz , Amplitude:0.75mm , x,y,z every direction for 0.5 hour
8	Drop test (on packaging)	Drop to the ground from 80cm height, 6 side of carton, each once

Remarks:

- 1) For operation test, above specification is applicable when test pattern is changing during entire operation test.
- 2) Inspections after reliability tests are performed when the display temperature resumes back to room temperature.
- 3) It is a normal characteristic that some display abnormality can be seen during reliability test. If the display abnormality can recover as normal condition within 24 hours at room temperature, there is no permanent destruction over the display. The display still possesses its functionality and considered as acceptable after reliability tests.

### 10.2 Failure Judgment Criteria

After the reliability tests above, test sample shall be let return to room temperature and humidity for at least 4 hours before final tests are carried out.

Item	Acceptance Criteria
Electrical characteristic	No electrical short and open. Increase in current consumption is less than 2 times of initial value.
Mechanical characteristic	Within mechanical and drawing specification
Optical characteristic	Within appearance standard as specified in this specification. Contrast ratio change & ON-transmission value shall not less than 50% of initial value.

## 11.0 QUALITY SPECIFICATION

### 11.1 Acceptable Quality Level (AQL)

Each lot should satisfy the quality level defined as follows:

- a) Inspection method: MIL-STD-105E Level II normal once sampling
- b) AQL level

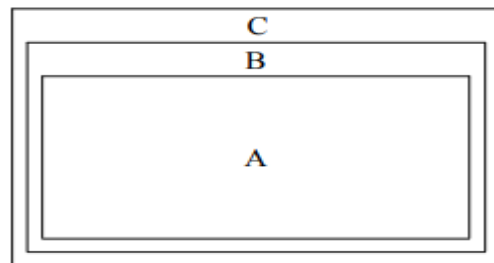
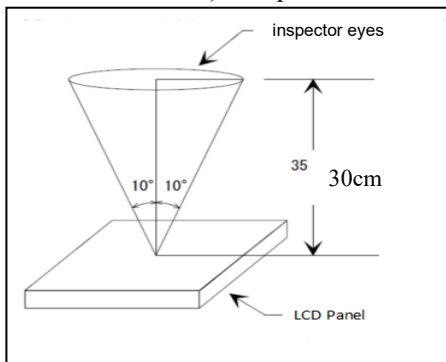
Category	AQL	Definition
Major	0.25%	Functional defective as product
Minor	0.25%	Satisfy all functions as product but not satisfy cosmetic standard

### 11.2 Conditions of Inspection

- a) Inspection illumination: Function illumination < 150Lux; Appearance illumination is  $2500 \pm 500$  Lux.
- b) Inspection distance: About 30cm between the observer's eyes and the LCD.
- c) Inspection angle: Normal inspection angle is  $\pm 10^\circ$  from LCD.

(Ghost shadow inspection angle is  $\pm 45^\circ$  ; Light leakage inspection angle is  $\pm 30^\circ$  )

- d) Inspection environment: normal temperature ( $18 \sim 27^\circ\text{C}$ ) and normal humidity (50~85%RH)



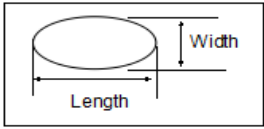
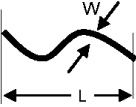


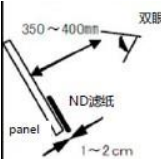
- A: viewing area
- B: viewing area except A
- C: Outside viewing area

Note: As a general rule, visual defects in C is permissible, when it is no trouble for quality and assembly of customer's product.

### 11.3 Acceptance Criteria (Display Elektronik GmbH internal standard: IS-QC- 089(E)TFT-1)

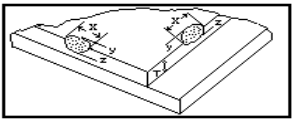
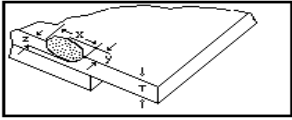

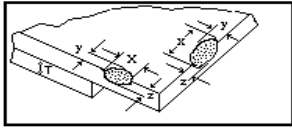
#### a) Function Inspection

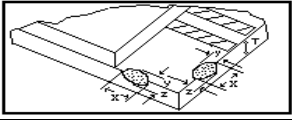
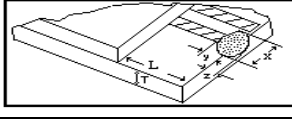
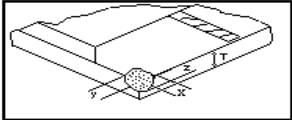
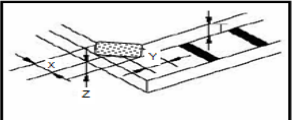
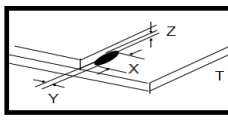
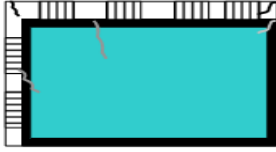
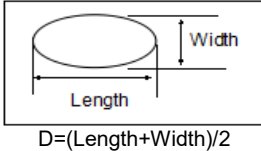
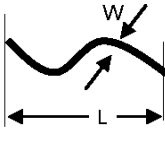
Item	Acceptance/Rejection Criteria	Classification	Method	Method
Functional	1. No-display /abnormal display/line defect etc. are not acceptable. 2. Obvious color deviation in dark/red/green/blue screen is not acceptable. (refer limit sample if application) 3.0 Obvious color deviation in the same screen is not acceptable. (spot, mura which cannot be seen by ND6 % is acceptable; Judgement Methods: The distance from the panel to ND filter paper: 350-400 - mm , put the ND filter paper in 1-2 cm distance away from the eye position, using monocular observation ) 3.1 The standard of eye Sight for Spot, Mura bad: put the filter paper in the position in accordance with 3.0, move the eye sight away from the filter paper and turn the sight back to the filter paper. The standard of inspection time for spot, Mura:5 seconds. 4. Current consumption (I <sub>dd</sub> MAX) shall not exceed the limit specified on the Test Instruction. 5. Display character/ pattern shall be referred to the Test Instruction. 6. Obvious light leakage is not acceptable.	Major	Visual	A

Item	Acceptance/Rejection Criteria			Classification	Method	Method		
Spot Foreign Particle, Dirt under POL or TP	 $D=(Length+Width)/2$	Zone	Size(mm)	Acc No		Major	Visual (Scale magnifying glass)	A、 B、 C
			$D \leq 0.15$	Unlimited				
			$0.15 < D \leq 0.2$	3				
			$D > 0.2$	0				
Line defect: foreign or Scratch		Defect	Size(mm)	Acc No		Minor	Visual (Scale magnifying glass)	A、 B、 C
				Foreign body、 Pit	A、 B			
		$W \leq 0.02$	Unlimited		Unlimited			
		$0.02 < W \leq 0.05$ and $L \leq 4.0$	2 (distance $\geq 5mm$ )					
		$W \geq 0.05$	Define as spot defect					
		Polarizer fibrous foreign body	$W \leq 0.02$	Unlimited	Unlimited			
			$0.02 < W \leq 0.05$ and $L \leq 4.0$	2 (distance $\geq 5mm$ )				
			$W \geq 0.05$	Define as spot defect				
		BL fibrous foreign body	$W \leq 0.02$	Unlimited	Unlimited			
			$0.02 < W \leq 0.05$ and $L \leq 4.0$	2 (distance $\geq 5mm$ )				
			$W \geq 0.05$	Define as spot defect				
		Polarizer Air or TP film bubble	N/A	Size(mm)	Acc No			
A、 B	C							
$D \leq 0.15$	Unlimited							
$0.15 < D \leq 0.2$	3							
$0.2 < D \leq 0.25$	1							
Light dot Dark dot Definition	1). Pixel definition: Pixel is made of three sub-pixels ( Red + Green +Blue ) 			Minor	Visual (Scale magnifying glass)	A		
	2). Dot definition: Dot is a sub-pixel (Red or Green or Blue)  或 或							
	3). Light / Dark dot definition: A sub-pixel is on or off when the function testing. Light dot appears in dark picture usually. Dark dot appears in R\GB color picture or the white picture usually.							
	4). Adjacent dot definition: Adjacent dot is made of two or three sub-pixels(R+G or G+B or B+R or R+G+B);							
Bright dot/dark dot	1. If the bright/dark dot size is less than 1/2 size of sub-pixel, ignore the dot. 2. If the bright/dark dot size is equal or more than 1/2 size of sub-pixel, follow the acceptable number of dot defect specified in the table on the right. 3. Bright dot	Defect	Acc No.	Remark	Minor	Visual (Scale magnifying glass)  See the judgement method as below  	A	
		light dot	3	0				
		light dot two-connection	1	vertical and diagonal connetion are not allowed				
		dark dot	3	1				
		dark dot two-connection	1	vertical and diagonal connetion are not allowed				
		dark dot three-connection	3	1				
		Total	$\leq 3$	a two-connection dot count as 2 dots.				

Item	Acceptance/Rejection Criteria			Classification	Method	Method
	cannot be seen by ND 5% shall follow the tiny bright dot inspection standard. 4. Bright dot/dark dot can be seen by ND5% press Acc Qty standard judgement.				bright dot and tiny bright dot: Distance from the ND filter paper to panel: 1-2 cm position, binocular observation  2.0 The standard of eye-sight inspection for Bright dot and tiny Bright dot: put the filter paper in the position in accordance with 1.0, move the eye-sight away from the filter paper and then turn the sight back to the filter paper. The standard of inspection time for Light spot, Light spot 5 seconds.	
Tiny Bright dot	5. Tiny Bright dot definition, The bright dot cannot be seen by ND 6%.  Tiny bright dot judgement, If the bright dot cannot be seen with ND6%, the acceptable Number is unlimited. If the bright dot can be seen with ND6%, the acceptable Number shall ≤10.					
Distance, Defect number	* 1 Distance between two detects must be more than 5 mm. *2. Total number of defects ≤3.			Minor	Visual (Scale magnifying glass)	A

b) Appearance Inspection

Item	Acceptance/Rejection Criteria			Classification	Method	Method	
Chip-out	A. General chip-out 	x (mm)	y (mm)	z (mm)	Minor	Visual (Scale magnifying glass)	Out of A
		≤4.0	Outside 1/3 S	Ignore			
		S: Innerborder line of the seal					
B. Chip-out on the back of terminal ledge 	x (mm)	y (mm)	z (mm)	Minor	Visual (Scale magnifying glass)	Out of A	
	Ignore	≤0.3	≤1/2t				
	≤4.0	≤1/4L	≤t				
C. Chip-out on the terminal ledge but not exactly on the ITO electrode.	x (mm)	y (mm)	z (mm)	Minor	Visual (Scale magnifying glass)	Out of A	
	Ignore	≤0.3	≤1/2t				
	≤4.0	≤1/4L	≤t				

Item	Acceptance/Rejection Criteria		Classification	Method	Method																	
																						
D. Chip-out on ITO electrode		<table border="1"> <tr> <td>x (mm)</td> <td>y (mm)</td> <td>z (mm)</td> </tr> <tr> <td>Ignore</td> <td>≤0.3</td> <td>≤1/2t</td> </tr> <tr> <td>≤2.0</td> <td>≤0.8</td> <td>≤1/2t</td> </tr> <tr> <td>≤3.0</td> <td>≤0.5</td> <td>≤t</td> </tr> </table>	x (mm)	y (mm)	z (mm)	Ignore	≤0.3	≤1/2t	≤2.0	≤0.8	≤1/2t	≤3.0	≤0.5	≤t	Minor	Visual (Scale magnifying glass)	Out of A					
x (mm)	y (mm)	z (mm)																				
Ignore	≤0.3	≤1/2t																				
≤2.0	≤0.8	≤1/2t																				
≤3.0	≤0.5	≤t																				
E. Chip-out at corner		<table border="1"> <tr> <td>x (mm)</td> <td></td> <td></td> </tr> <tr> <td>≤3.0</td> <td>≤3.0 or ≤1/4L (whichever is less)</td> <td>≤T</td> </tr> </table>	x (mm)			≤3.0	≤3.0 or ≤1/4L (whichever is less)	≤T														
x (mm)																						
≤3.0	≤3.0 or ≤1/4L (whichever is less)	≤T																				
F. Chip-out at corner		<table border="1"> <tr> <td>x (mm)</td> <td>y (mm)</td> <td>z (mm)</td> </tr> <tr> <td>≤3.0</td> <td>≤3.0</td> <td>≤T</td> </tr> </table> <p>Remark: L= contact pad length, T=Single thickness glass</p>	x (mm)	y (mm)	z (mm)	≤3.0	≤3.0	≤T	Minor	Visual (Scale magnifying glass)	Out of A											
x (mm)	y (mm)	z (mm)																				
≤3.0	≤3.0	≤T																				
G. Bur		<table border="1"> <tr> <td>x (mm)</td> <td>y (mm)</td> <td>z (mm)</td> </tr> <tr> <td>unlimited</td> <td>≤0.2</td> <td>≤t</td> </tr> </table>	x (mm)	y (mm)	z (mm)	unlimited	≤0.2	≤t														
x (mm)	y (mm)	z (mm)																				
unlimited	≤0.2	≤t																				
H. Crack line		Extended crack is not allowed	Major	Visual	Out of A																	
Foreign material, Black dot, White dot, Pit, Dent Bubble etc.		<table border="1"> <tr> <th rowspan="2">Zone</th> <th colspan="2">Acc No.</th> </tr> <tr> <th>A, B</th> <th>C</th> </tr> <tr> <td>D≤0.15</td> <td colspan="2">Unlimited</td> </tr> <tr> <td>0.15 &lt; D ≤ 0.2</td> <td colspan="2">3</td> </tr> <tr> <td>D &gt; 0.2</td> <td colspan="2">0</td> </tr> </table>	Zone	Acc No.		A, B	C	D≤0.15	Unlimited		0.15 < D ≤ 0.2	3		D > 0.2	0		Minor	Visual (Scale magnifying glass)	A			
Zone	Acc No.																					
	A, B	C																				
D≤0.15	Unlimited																					
0.15 < D ≤ 0.2	3																					
D > 0.2	0																					
Foreign material, Bubble etc.		<table border="1"> <tr> <th rowspan="2">Defect</th> <th rowspan="2">Size (mm)</th> <th colspan="2">Acc No.</th> </tr> <tr> <th>A, B</th> <th>C</th> </tr> <tr> <td rowspan="3">Foreign body, Pit, Polarizer fibrous foreign body</td> <td>W≤0.02</td> <td colspan="2">Unlimited</td> </tr> <tr> <td>0.02 &lt; W ≤ 0.05 and L ≤ 4.0</td> <td colspan="2">2 (distance ≥ 5mm)</td> </tr> <tr> <td>W ≥ 0.05</td> <td colspan="2">Define as spot defect</td> </tr> </table>	Defect	Size (mm)	Acc No.		A, B	C	Foreign body, Pit, Polarizer fibrous foreign body	W≤0.02	Unlimited		0.02 < W ≤ 0.05 and L ≤ 4.0	2 (distance ≥ 5mm)		W ≥ 0.05	Define as spot defect		Minor	Visual (Scale magnifying glass)	A	
Defect	Size (mm)	Acc No.																				
		A, B	C																			
Foreign body, Pit, Polarizer fibrous foreign body	W≤0.02	Unlimited																				
	0.02 < W ≤ 0.05 and L ≤ 4.0	2 (distance ≥ 5mm)																				
	W ≥ 0.05	Define as spot defect																				
Polarizer bubble or TP film bubble	N/A	<table border="1"> <tr> <th rowspan="2">Size(mn)</th> <th colspan="2">Acc No</th> </tr> <tr> <th>A, B</th> <th>C</th> </tr> <tr> <td>D≤0.15</td> <td colspan="2">Unlimited</td> </tr> <tr> <td>0.15 &lt; D ≤ 0.2</td> <td colspan="2">3</td> </tr> <tr> <td>0.2 &lt; D ≤ 0.25</td> <td colspan="2">1</td> </tr> <tr> <td>D &gt; 0.25</td> <td colspan="2">0</td> </tr> </table>	Size(mn)	Acc No		A, B	C	D≤0.15	Unlimited		0.15 < D ≤ 0.2	3		0.2 < D ≤ 0.25	1		D > 0.25	0		Minor	Visual (Scale magnifying glass)	A, B, C
Size(mn)	Acc No																					
	A, B	C																				
D≤0.15	Unlimited																					
0.15 < D ≤ 0.2	3																					
0.2 < D ≤ 0.25	1																					
D > 0.25	0																					



Item	Acceptance/Rejection Criteria	Classification	Method	Method
Distance	Distance between two detects must be more than 5 mm.	Minor	Visual (Scale magnifying glass)	A
LC bubble	Not acceptable.	Minor	Visual (Scale magnifying glass)	A
Polarizer	1.Polarizer dimension & position shall meet the requirement indicated on the drawing. 2.Polarizer orientation shall meet the requirement indicated on the drawing. (Background color shall be consistent with the sample).	Minor	Visual (Scale magnifying glass)	Out of A
Protective film	1.Protective film separating in Active Area is not acceptable. 2.Fingerprint\ Massive dirt in the polarizer by protective film separating is not acceptable. 3.Erasable smudginess must be cleaned, unerasable smudginess is allowed. .	Minor	Visual (Scale magnifying glass)	All
FPC cosmetic defect	According to IPC-6013A.	-	Visual	-
RTV (Tuffy)	1.Coating location shall meet the manufacturing instruction or drawing; Coating shall cover all terminal tracks. 2.RTV pin holes and bubble shall not cause ITO tracks exposed. 3.RTV foreign material shall not cause ITO short-circuit. 4.Uncured coating is not acceptable. 5.RTV Coating cannot be damaged. (Include irregular deformation) 6.RTV coating shall not exceed the height of the polarizer. RTV coating shall not spread over to the polarizer or the interface components. 7.Massive dirt on the coating is not acceptable.	Major	Visual	Out of A
BLU	1. Backlight unit dimension and form shall meet the requirement on the drawing.	Major	caliper	Out of A
	2.Backlight not light up, or wrong lighting color is not acceptable. 3. Acceptance criteria for dark spot, bright spot, and scratch mark shall refer to the spot defect and the line defect of the LCD.4. Uneven brightness in the Viewing Area Zone A is not acceptable. (Refer to the limit sample if applicable). 4.Light leak is not acceptable in main viewing direction. (Refer to the limit sample if applicable). 5. LCD shall not be lifted after assembly.	Minor	Visual	Out of A
	6.Backlight reflecting film can't separate with BL.			
Label Printing	1.Label printing must clearly visible; fuzzy printing missing printing and pin hole are not allowed. 2.Date lable on LCD cannot be more than 1mm over the BC edge and cannot seen after assembly	Minor	Visual	Out of A
The product shall be free of dirt.	1.The outer dimension shall meet the specification the drawing.	Major	caliper	Out of A
	2.The product shall be free of dirt.	Minor	Visual	Out of A

**12.0 ENVIRONMENTAL SPECIFICATION**

This product is designed, manufactured and compliant to below RoHS standard:

- |   |                   |
|---|-------------------|
| 1. Cadmium and Cadmium Compounds          | Less than 100ppm  |
| 2. Hexavalent Chromium Compounds          | Less than 1000ppm |
| 3. Lead and Lead Compounds                | Less than 1000ppm |
| 4. Mercury and Mercury Compounds          | Less than 1000ppm |
| 5. Polybrominated Biphenyls (PBBs)        | Less than 1000ppm |
| 6. Polybrominated Diphenyl ethers (PBDEs) | Less than 1000ppm |
| 7. Butyl benzyl phthalate (BBP)           | Less than 1000ppm |
| 8. Bis (2-ethylhexyl)phthalate (DEHP)     | Less than 1000ppm |
| 9. Dibutyl phthalate (DBP)                | Less than 1000ppm |
| 10. Diisobutyl phthalate(DIBP)            | Less than 1000ppm |

### 13.0 GENERAL PRECAUTIONS FOR USING LCD MODULES

Handling Precaution	Operation Precautions
<ul style="list-style-type: none"> <li>No strong mechanical shock. LCD may be broken because it is made out of glass.</li> <li>Do not work on PCB. PCB may be cracked or damaged.</li> <li>Do not bend or process metal bezel positioning tab. LCD maybe shifted and LCD-PCB interconnection may be damaged,</li> <li>Do not scratch. Polarizer is soft material and can be easily scratched.</li> <li>Liquid crystal may leak when LCD/LCM is broken. Please wash your hands if you touch the liquid crystal.</li> <li>Wear gloves when handling LCD/LCM to avoid damage to LCD/LCM. Please do not touch electrodes with bare hands to avoid any contamination on connection.</li> </ul>	<ul style="list-style-type: none"> <li>Viewing angle can be adjusted by varying driving voltage, <math>V_0</math> or <math>Vop</math>.</li> <li>Display performance may vary or show abnormal electro-optical performance when viewed at angle beyond the specified viewing angle range.</li> <li>Display color may change under extreme temperature. This is not destructive symptom and display color will resume back to normal when temperature goes back to normal temperature.</li> <li>Driving voltage shall be kept within the specified range as stated in this product specification. Over-voltage may shorten the LCD/LCM lifetime.</li> <li>No DC voltage to LCD/LCM. Electrical characteristics and reliability of LCD/LCM will deteriorate under DC. Please control the DC content in application driving circuit.</li> <li>Avoid using the same display pattern for long time (continuous ON segment). It is a normal phenomena observed for passive driven display where image retention is observed when LCD is displayed with same pattern over 1 hour under temperature <math>&gt; 55^{\circ}C</math>. Customer is advised to design application software where display pattern will be changed from time to time, or using the N-line inversion function comes with the display driver IC.</li> <li>If the LCM is using master-slave configuration, customer is strongly recommended to use external <math>V_0</math>.</li> <li>If the LCM comes with MTP/OTP function, customer is recommended to use this MTP/OTP function for the best optical performance.</li> </ul>
Soldering Precaution on LCD/LCM	
<ul style="list-style-type: none"> <li>Use soldering iron with proper grounding and no AC leakage.</li> <li>Temperature at tip of soldering iron: <math>330 \pm 10^{\circ}C</math></li> <li>Type of solder: lead-free solder with resin flux fill.</li> <li>Soldering time: <math>&lt; 3sec</math>.</li> <li>Soldering on LCD/LCM I/O terminal only.</li> <li>Do not apply force on the LCD metal pin when soldering. Metal pin connection to LCD terminal will be damaged or loosen by this external force under soldering temperature.</li> <li>Do not solder and de-solder for more than 3 times because metal pin connection or soldering pads will be damaged.</li> </ul>	
Static Electricity	FPC cleanness
<ul style="list-style-type: none"> <li>Avoid static electricity. Please have proper ESD control and ground the human body and any electrical tools when assembling the LCD/LCM.</li> <li>Static electricity will be generated when peeling the protective film. It is a normal behavior that LCD/LCM will response to the static charges generated and will resume back to normal condition slowly. Peeling off the protective film in a correct way is very important to reduce the static electricity and its influence on LCD/LCM. It's recommended that the static electricity is controlled less than 1KV by using ion fan and peeling off protective film slowly and in <math>45^{\circ}</math> angle, etc.</li> </ul> <div data-bbox="140 1742 790 1960"> <p>Speed: Slowly peeling off the protective film to make sure static electricity less than 1KV.</p> <p>Angle: direction of removing protective film is <math>45^{\circ} \pm 15^{\circ}</math></p> <p>Ionized air to reduce static electricity less than 1KV.</p> </div>	<ul style="list-style-type: none"> <li>If ACF bonding is applied at customer side between FPC and PCB, cleaning on FPC and PCB bonding area (just before bonding) is a must to reduce risk of bonding reliability (eg bonding delamination/spring back phenomenon, low pull strength etc)</li> </ul>
Long-term Storage Conditions	
<ul style="list-style-type: none"> <li>Store LCD/LCM in dark area and keep LCD/LCM away from direct sunlight and fluorescent light.</li> <li>Store LCD/LCM under temperature range of <math>0 \sim 35^{\circ}C</math> and room humidity of <math>50 \sim 60\%RH</math>.</li> <li>Possible <math>Vop</math> adjustment might be needed at customer side after prolong storage over 1 year from date of manufacturing.</li> </ul>	

**14.0 APPENDIX****14.1 Functional testing pattern**

Below test patterns will be used at all LCM functional tests at mass production stage. Acceptance of a product during inspection will be judged based on these test patterns only. Customer should notify Display Elektronik GmbH if different test patterns being used at customer side to ensure same testing platform between Customer and Display Elektronik GmbH, especially on those defects (flickering, image sticking, cross-talk, black/white line) which are pattern-dependent. These test patterns are by default agreed by both Customer and Display Elektronik GmbH, unless notified by Customer to revise such test patterns. If the defect listed in above description is seen in below pattern, LCD module should be judged as NG and vice versa.

TBD