

174195-1 ✓ ACTIVE

FASTON | FASTON 250

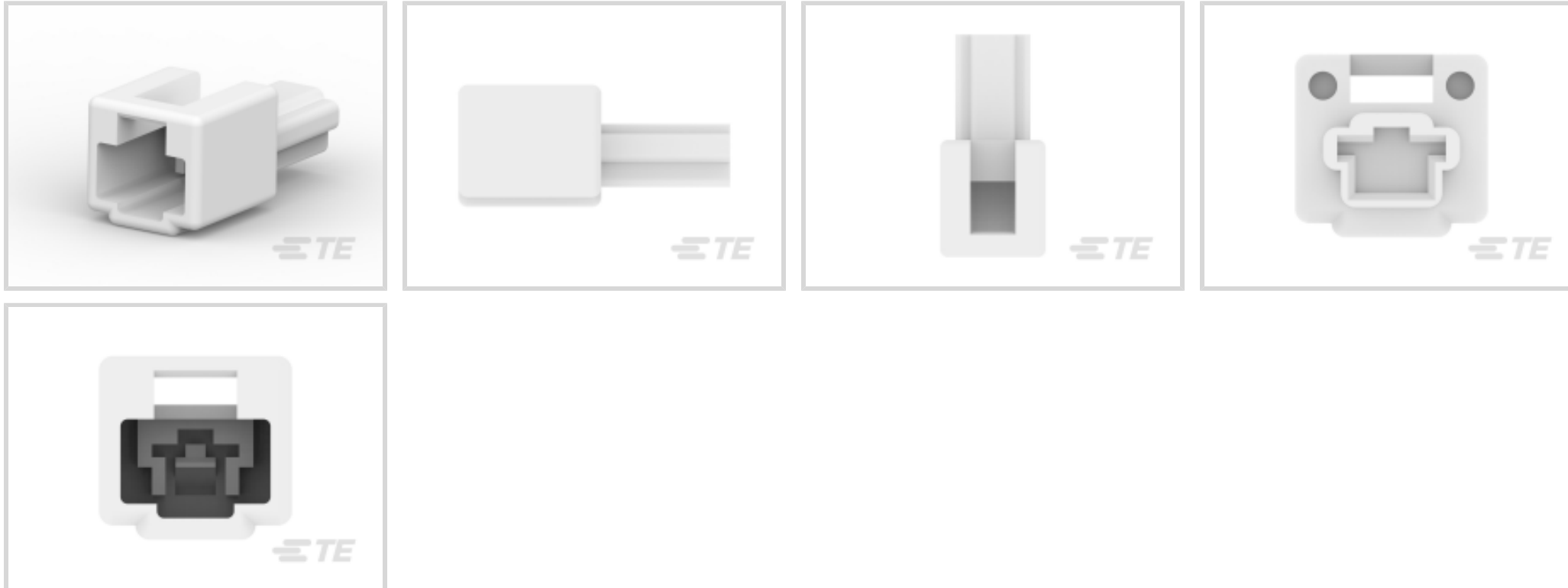
TE Internal #: 174195-1

Crimp Terminal Housings, Receptacle, Receptacle, 1 Position,
Straight, Natural, Nylon, Contact Mating Retention, Mating
Alignment, FASTON 250

[View on TE.com >](#)



Terminals & Splices > Terminal Housings, Insulation Sleeves & Blocks > Crimp Terminal Housings



Terminal Type: **Receptacle**

Connector & Housing Type: **Receptacle**

Number of Positions: **1**

Terminal Orientation: **Straight**

Primary Product Color: **Natural**

Features

Product Type Features

Sealable	No
Connector & Housing Type	Receptacle

Configuration Features

Number of Positions	1
---------------------	---

Body Features

Primary Product Color	Natural
-----------------------	---------

Contact Features

Terminal Type	Receptacle
Terminal Orientation	Straight
Contact Mating Retention	With

Mechanical Attachment

Mating Retention Type	Latch
Mating Alignment	With



Connector Mounting Type	Cable Mount (Free-Hanging)
-------------------------	----------------------------

Housing Features

Housing Material	Nylon
------------------	-------

Dimensions

Product Length	28.5 mm[1.12 in]
----------------	------------------

Usage Conditions

Operating Temperature Range	-40 – 105 °C[-40 – 221 °F]
-----------------------------	----------------------------

Product Compliance

[For compliance documentation, visit the product page on TE.com>](#)

EU RoHS Directive 2011/65/EU	Compliant
EU ELV Directive 2000/53/EC	Compliant
China RoHS 2 Directive MIIT Order No 32, 2016	No Restricted Materials Above Threshold
EU REACH Regulation (EC) No. 1907/2006	Current ECHA Candidate List: JUNE 2023 (235) Candidate List Declared Against: JUNE 2023 (235) Does not contain REACH SVHC
Halogen Content	Low Halogen - Br, Cl, F, I < 900 ppm per homogenous material. Also BFR/CFR/PVC Free
Solder Process Capability	Not reviewed for solder process capability

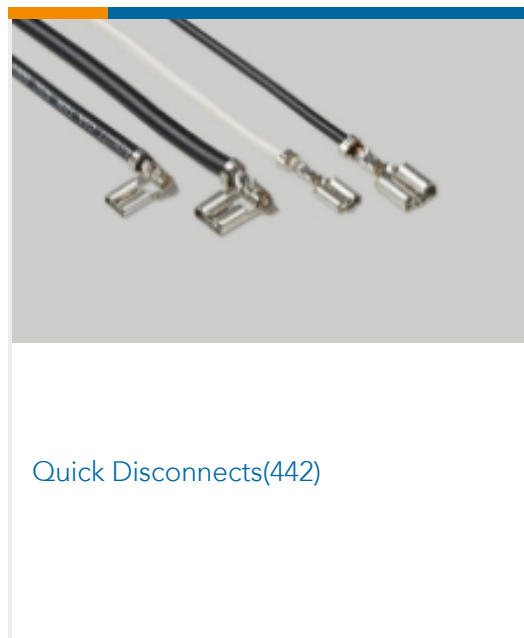
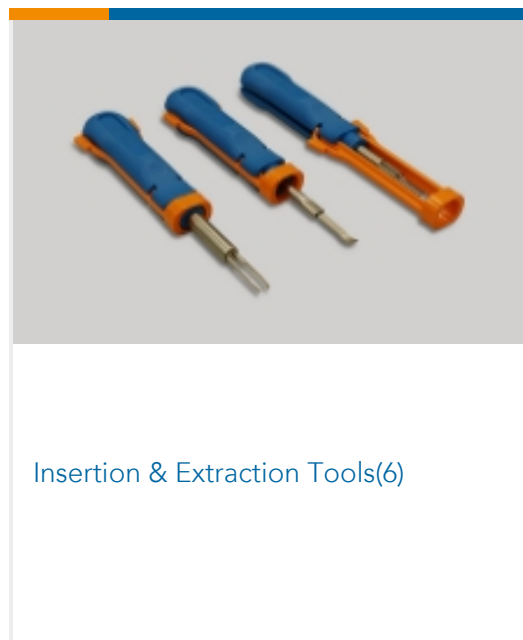
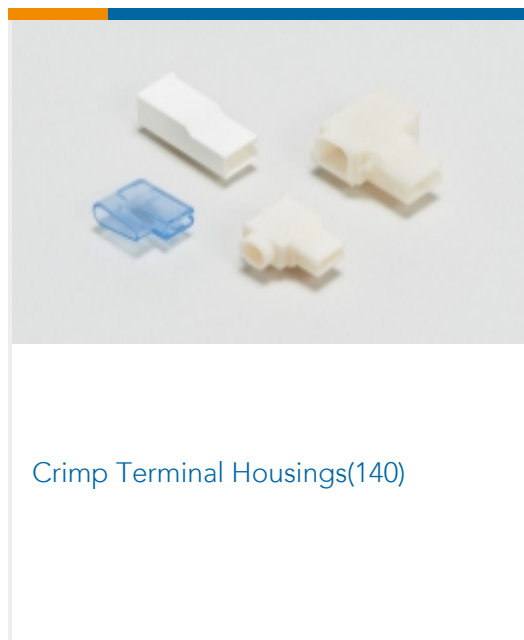
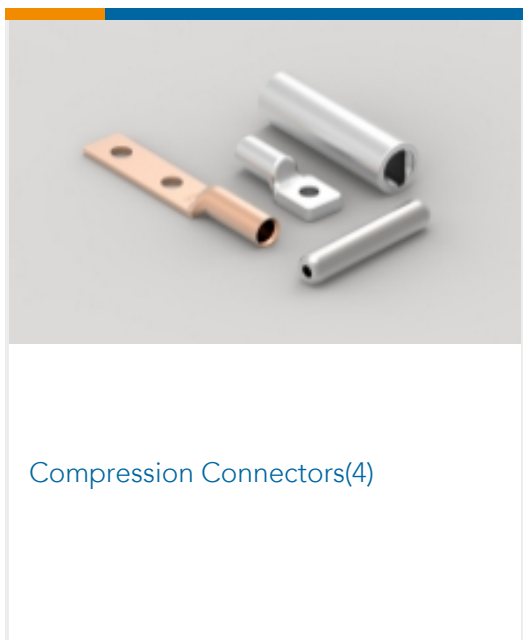
Product Compliance Disclaimer

This information is provided based on reasonable inquiry of our suppliers and represents our current actual knowledge based on the information they provided. This information is subject to change. The part numbers that TE has identified as EU RoHS compliant have a maximum concentration of 0.1% by weight in homogenous materials for lead, hexavalent chromium, mercury, PBB, PBDE, DBP, BBP, DEHP, DIBP, and 0.01% for cadmium, or qualify for an exemption to these limits as defined in the Annexes of Directive 2011/65/EU (RoHS2). Finished electrical and electronic equipment products will be CE marked as required by Directive 2011/65/EU. Components may not be CE marked. Additionally, the part numbers that TE has identified as EU ELV compliant have a maximum concentration of 0.1% by weight in homogenous materials for lead, hexavalent chromium, and mercury, and 0.01% for cadmium, or qualify for an exemption to these limits as defined in the Annexes of Directive 2000/53/EC (ELV). Regarding the REACH Regulation, the information TE provides on SVHC in articles for this part number is based on the latest European Chemicals Agency (ECHA) 'Guidance on requirements for substances in articles' posted at this URL: <https://echa.europa.eu/guidance-documents/guidance-on-reach>

Compatible Parts



Also in the Series | **FASTON 250**



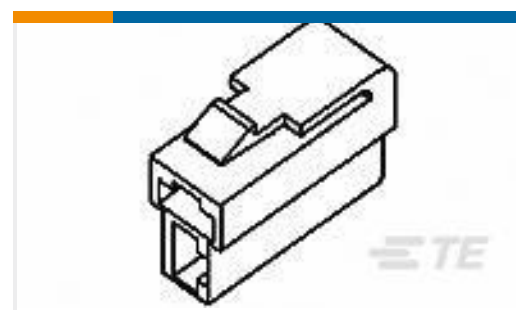
Customers Also Bought



TE Part #520988-2
ULTRA-POD 250 ASSY REC 22-18
AWG TPBR



TE Part #35148
TERMINAL,PIDG R 12-10 4



TE Part #172130-1
FF 250 REC HSG 2P NYLON NAT



TE Part #31114
TERMINAL,BUDG R 12-10 10



TE Part #GA100K6A11B
DISCRETE 100K OHMS, +/-0.2C 0C TO
70C



TE Part #NB17264001
RP-4800-NO.10-0-SP



TE Part #34112
SOLIS R 22-16COMM 22-18MIL 10



TE Part #34125
TERMINAL,SOLIS R 16-14 5/16



TE Part #HSA008N00420100000
723 HTEC PLUG, SPEEDTEC

Documents

Product Drawings

250 FASTON HSG.,REC.,1 POS,NATRUAL

English

CAD Files

3D PDF

3D

Customer View Model

[ENG_CVM_CVM_174195-1_A.2d_dxf.zip](#)

English

Customer View Model

[ENG_CVM_CVM_174195-1_A.3d_igs.zip](#)

English

Customer View Model

[ENG_CVM_CVM_174195-1_A.3d_stp.zip](#)

English

By downloading the CAD file I accept and agree to the [Terms and Conditions](#) of use.