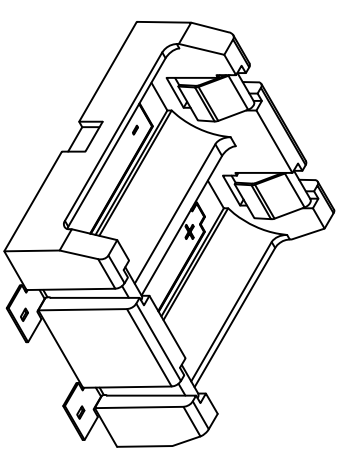
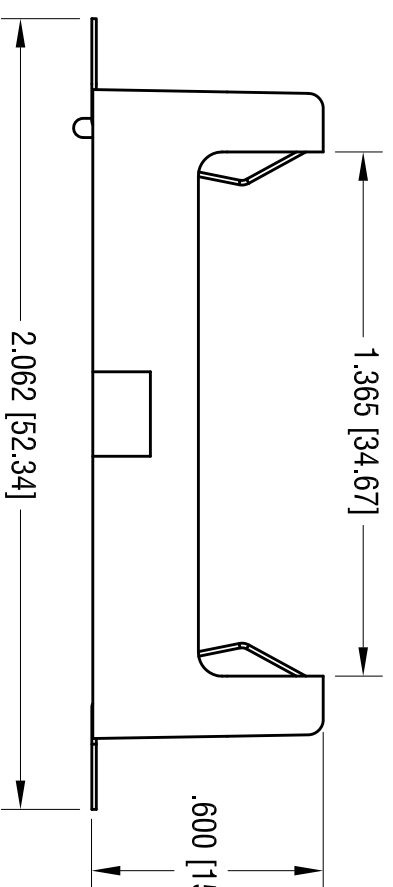
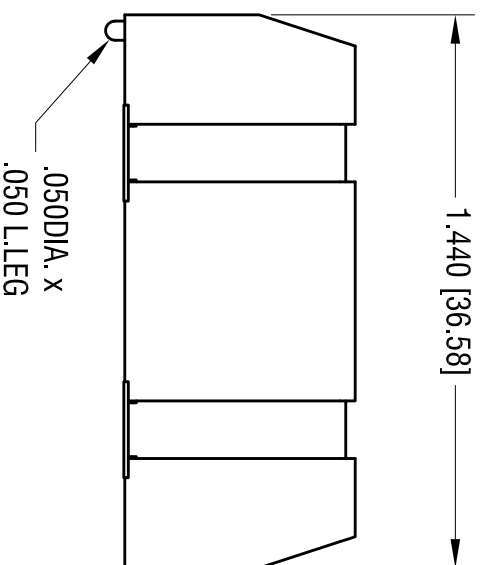
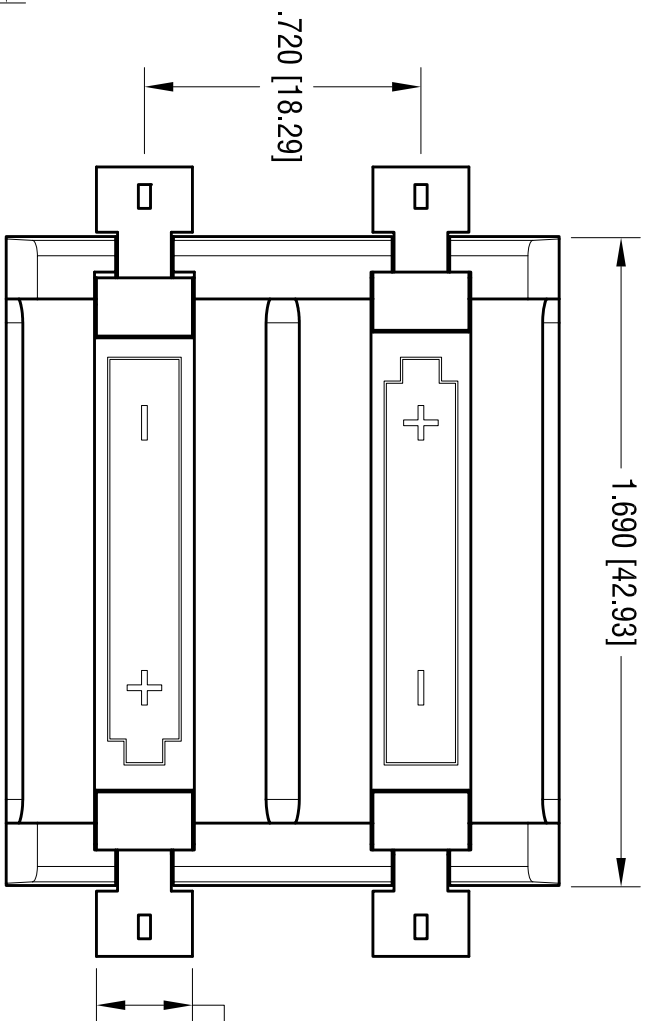
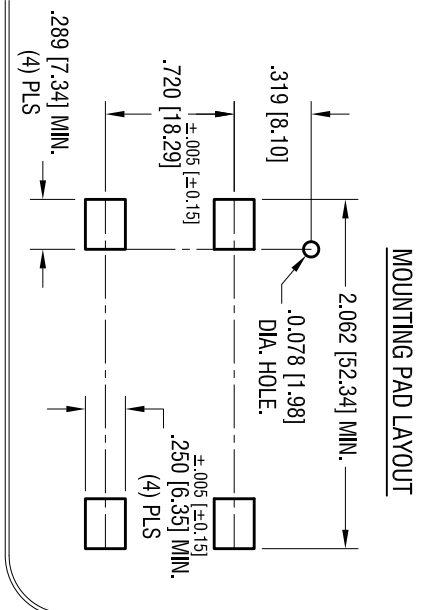


MOUNTING PAD LAYOUT



ACTUAL SIZE

DATE	DESCRIPTION	REV.

NOTE:

- 1. BASE:
MATL: HEAT RESISTANCE NYLON (UL94V-0)
STANYL 46 OR EQUIVALENT
- 2. CONTACT:
MATL: .012 [0.30] THK STAINLESS STEEL
FINISH: GOLD FLASH, OVER NICKEL PLATE.

THIS DOCUMENT IS THE PROPERTY OF KEYSTONE ELECTRONICS CORP. AND SHALL NOT BE REPRODUCED, DISTRIBUTED OR USED AS A BASIS FOR MANUFACTURE WITHOUT PRIOR WRITTEN PERMISSION FROM KEYSTONE ELECTRONICS CORP.

KEYSTONE ELECTRONICS CORP.			
www.keystonelco.com • ASTORIA, N.Y. 11105-2017 • Tel (718) 956-8900			
PART NAME			
SM BATTERY HOLDER, (2) 2/3A			
MATERIAL			
AS NOTED			
FINISH		AS NOTED	
TOLERANCES	INCH	[MM]	
DECIMAL	± .010	[±]
ANGULAR	± 1°		
UNLESS OTHERWISE SPECIFIED			
CODE	DWG NO.	DATE	SCALE
C	1100	1.05.15	2X