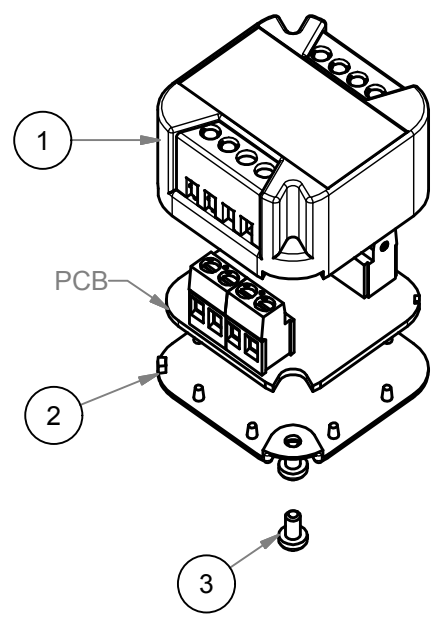
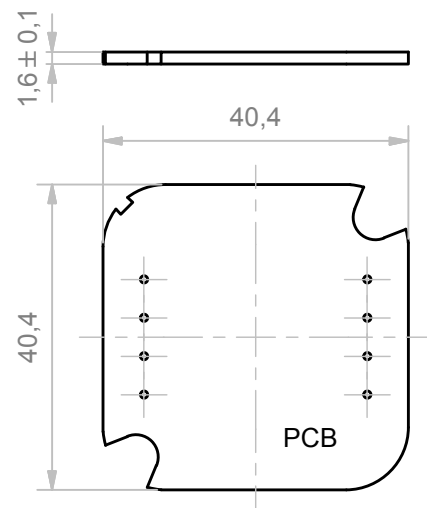
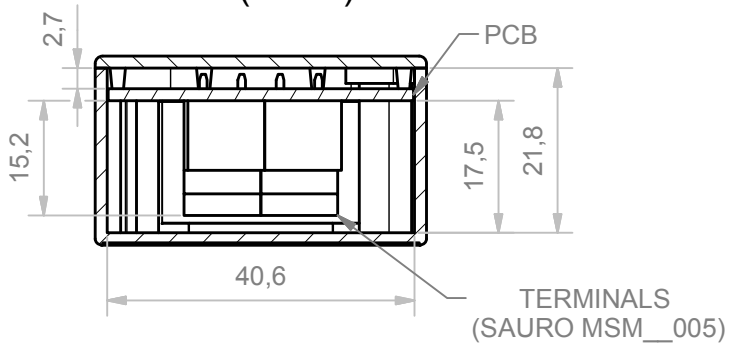


A-A (1:1)



RIF.	Q.TY	DESCRIPTION	CODE
1	1	COVER ENCLOSURE CBOX EURO INT 25MM	V-1518
2	1	BASE ENCLOSURE CBOX EURO INT 25MM	V-1519
3	2	SCREW 2.9X4.5	PM10012008

RESERVED PROPERTY: The present drawing cannot be reproduced or communicated to 3d parties, even partially, without the authorization of ITALTRONIC Srl. Italtronic reserves to protect its own rights according to the law.

5 4 3 2 1

GENERAL TOLERANCE	UNI EN 22768/1 Media (m)	Drawn:	Checked:	Revision description
SHEET NR.	Dimension in mm	Zorzato E.	Mazzucato F.	Scale:
1 / 1		Date:	Replace nr.	Part number:
		28/03/2006		

UN PARTNER PER IL FUTURO

Denomination:

Contenitore 25 mm EURO INT

ITALTRONIC S.R.L.
VIA AUSTRIA 25/D 35127
PADOVA - ITALY
www.italtronic.com

Drawing nr.

V-01607-01