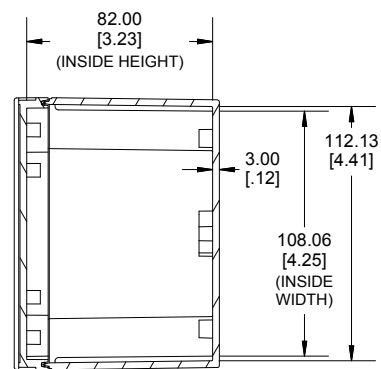


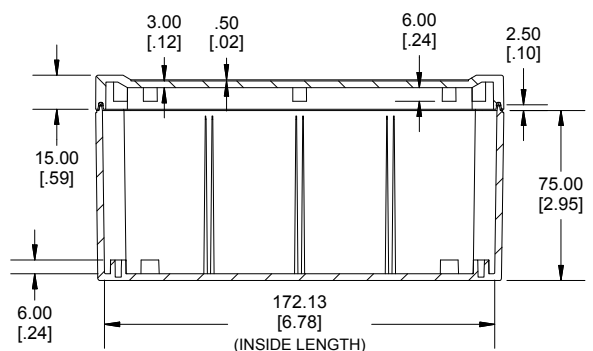
TOP VIEW



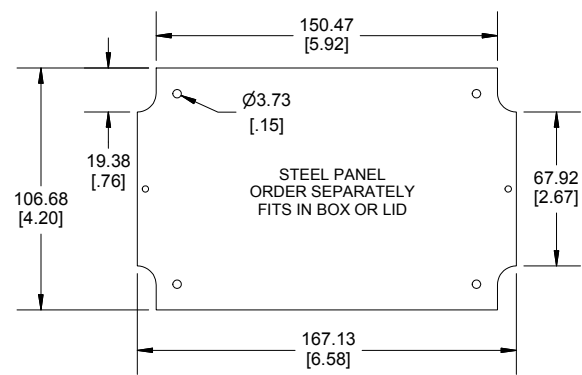
**SECTION B-B
END VIEW**



POLYCARBONATE
VERSION ONLY
 **UL LISTED**
 FILE #E65324
 TYPE 4,4X,6,6P



**SECTION A-A
SIDE VIEW**

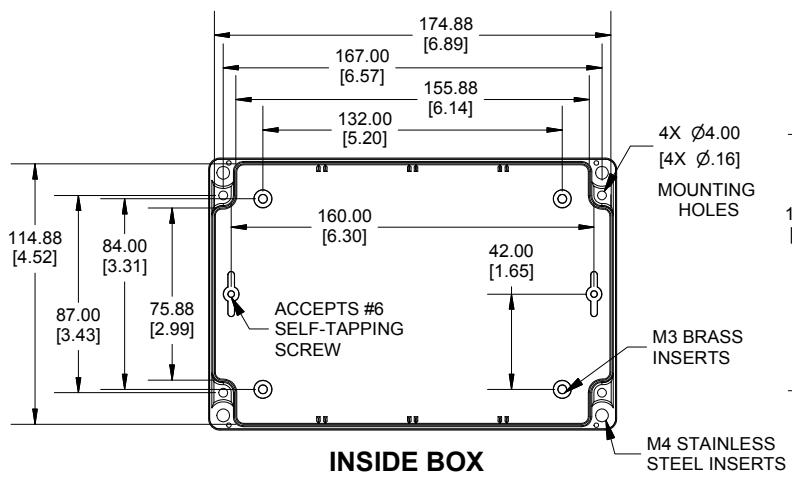


Enclosures can be Factory Modified (Milling, Drilling, Printing etc.)
 Contact Factory mjm@hammondmfg.com for quotes
 Solid models of this enclosure available in STEP or IGES.
 (Part number and text placement/orientation on our products are subject to change, we do not recommend using them as a locating reference for modification purposes)

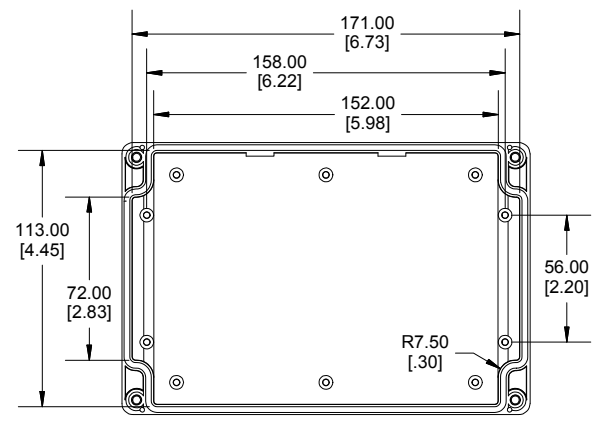
NOTE

4 cover screws, and preformed silicone gasket.
 General Purpose ABS version is not UL approved. (Matl UL94 - HB)
 Polycarbonate version is UL 508A approved. (Matl UL94 - 5VA @ 3mm)

Recommended Cover screw torque -- 43-57 ozf-in (30-40 cN-m)



INSIDE BOX



INSIDE LID

Dimensions:
mm
[inches]

1555T	
1555T Regular Enclosure	
General Purpose ABS RAL-7035	1555TGY
Polycarbonate RAL-7035	1555T2GY
ACCESSORIES	
Steel Inner Panels	1554HPL
Steel Panel / P.C. Board Screw [M3-0.5 x 8mm Plated] (Pkg 100)	1591MM100
Steel Panel / P.C. Board Self Tapping Screw [#6 X 1/4" (6.4mm) Plated] (Pkg 100)	1598ATS100
Stainless Steel Cover Screws [M4-0.7 X 20mm] (Pkg 50)	SC576-50
Silicone Pre-formed Gasket Black (Pkg 2)	1554HGASKET



1555T
www.hammondmfg.com