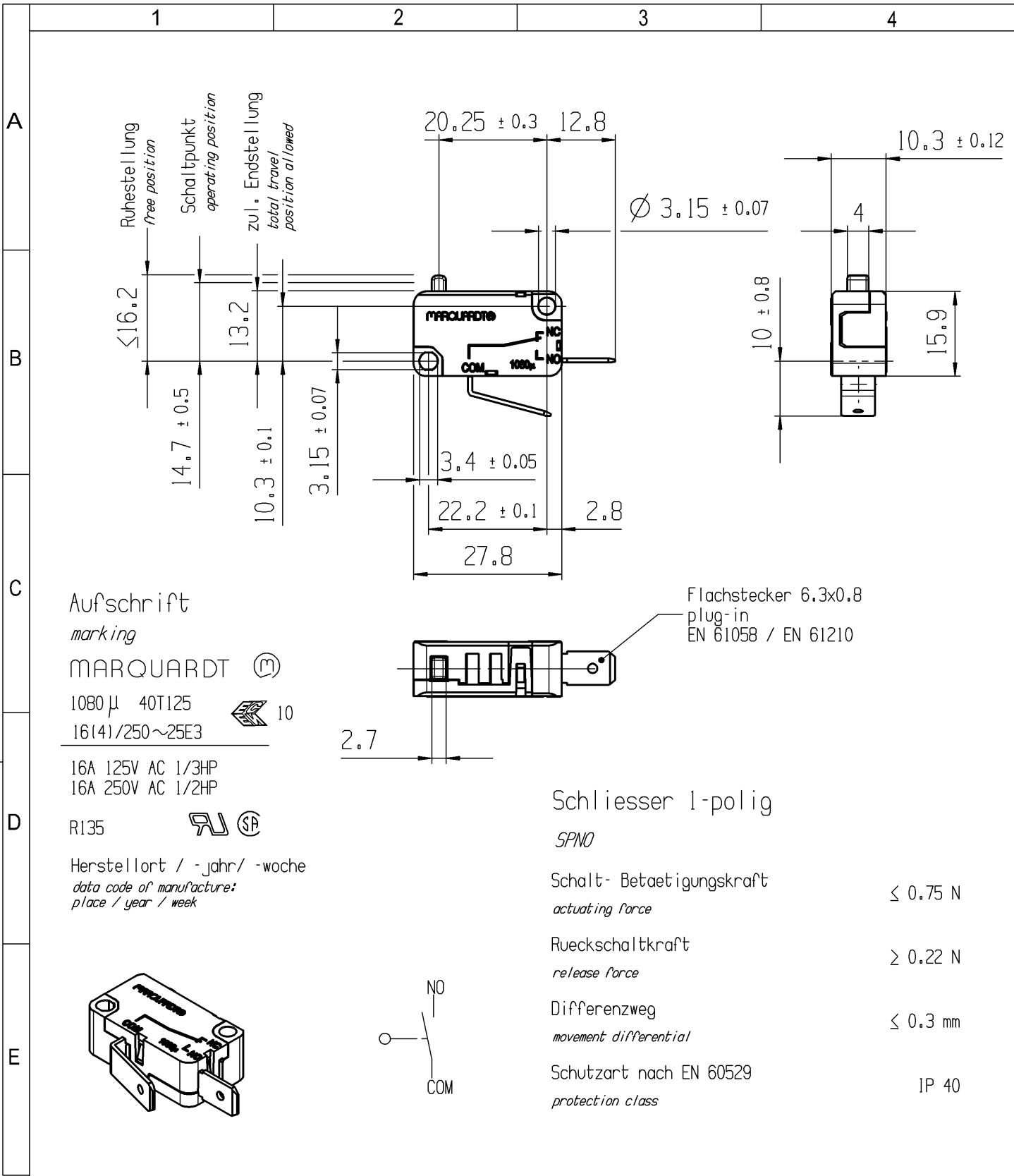


CONFIDENTIAL

VERTRAULICH

THIS DRAWING IS THE EXCLUSIVE PROPERTY OF MARQUARDT. WITHOUT THEIR CONSENT IT MAY NOT BE REPRODUCED OR GIVEN TO THIRD PARTIES.



Alle Rechte bei Marquardt, auch fuer den Fall von Schutzrechtsanmeldungen. Jede Veruegungsbefugnis, wie Kopier- und Weitergaberecht, bei uns.

-	-	-	1080.0456-XX								
Figure	Type	Customer No.	Art.No.-PI								
General tolerances		Sheet 01	Ident. K								
All dimensions are in millimetres	Shape and location	Angle ± 2 °	Edge tolerance	Length	Radii	Format DIN A4	Projection	Scale 1:1	Document number 10800456	Index c	
				0-6	± 0.1						± 0.2
				>6-15	± 0.15						± 0.3
				>15-30	± 0.2						± 0.5
				>30-70	± 0.3						± 10%
>70-120	± 0.4										
>120	± 0.8										
c	123519	2019-05-29	GAIEDB	System NX V11.0	snap action switch						
b	111666	2017-09-15	TRIGUIK								
a	63606	2009-07-08	MTR								
	48681	2006-08-28	RON	Replacement of Zg.gl.Nr.v.28.08.2006	MARQUARDT						
Index	MEC-No.	Date (YYYY-MM-DD)	Edited by								