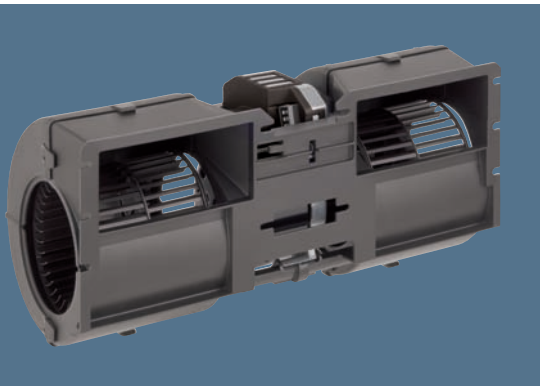


EC dual centrifugal blowers

with brushless DC motor, Ø 097

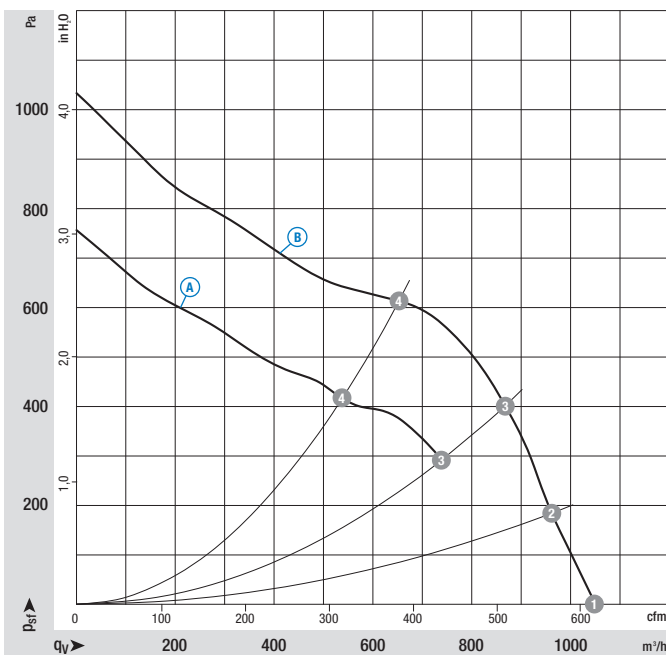


- **Material:** Housing: PP plastic, coloured black (conforms to UL 94 HB)
Impeller: PA plastic
- **Type of protection:** IP 24 KM (without plug)
- **Insulation class:** "B" in accordance with EN 60335-1
- **Mounting position:** Any
- **Mode of operation:** Continuous operation (S1)
- **Bearings:** Maintenance-free ball bearings on both sides
- **Motor protection:** Overtemperature protection, reverse polarity and locked-rotor protection, load dump protection, under-voltage detection
- **EMC requirements:** VDE 0879-2, interference suppression grade 5

Nominal data		Curve	Nominal voltage	Nominal voltage range	Flow rate	Speed/rpm	Input power	Current draw	Min. back pressure	Sound pressure level	Perm. amb. temp.	Mass	Electr. connection
Type	Motor	VDC	VDC	m³/h	rpm	W	A	Pa	dB(A)	°C	kg		
K3G 097-BK32 -42⁽¹⁾	M3G074-CF	Ⓐ	13	9-15	740	3650	195	15,0	300	64	-40..+85 ⁽²⁾	2,3	A
K3G 097-BK36 -56⁽¹⁾	M3G074-CF	Ⓑ	13	9-15	1050	3950	358	27,4	0	69	-40..+85 ⁽²⁾	2,6	A

subject to alterations (1) 12-volt variant (2) at free air not recommended for long-term operation at 85 °C

Curves



Air performance measured as per: ISO 5801, Installation category A, in ebm-papst scroll housing

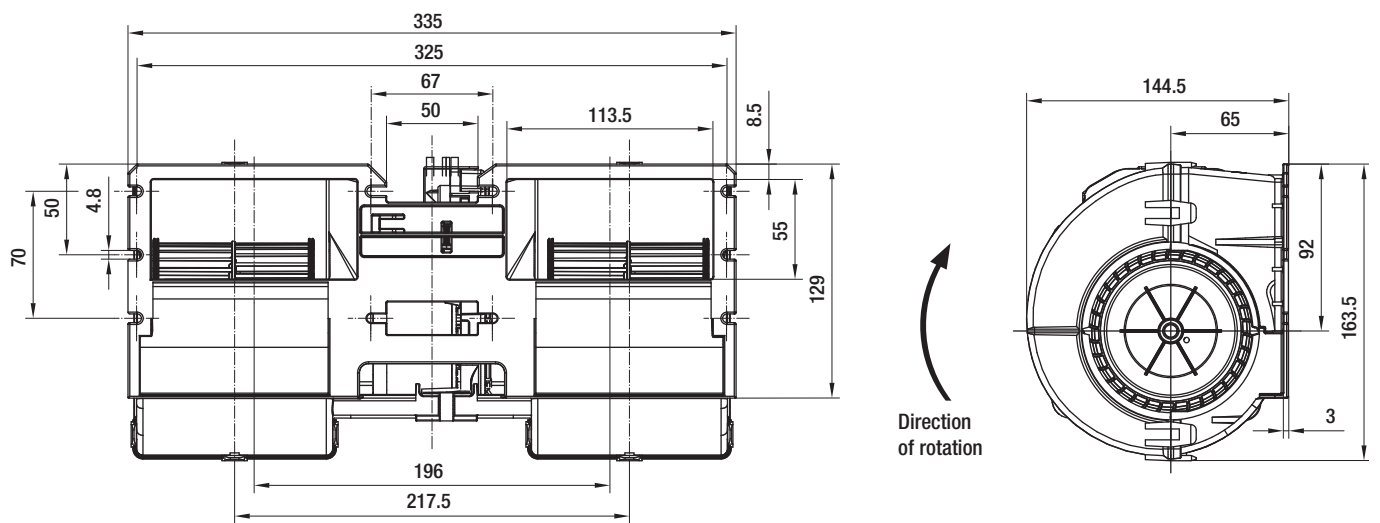
Suction-side noise levels: L_pA measured at 1 m distance to fan axis

The acoustic values given are only valid under the measurement conditions listed and may vary depending on the installation situation.

With any deviation to the standard setup, the specific values have to be checked and reviewed once installed or fitted!

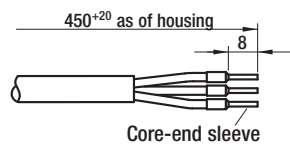
For detailed information see page 56 ff.

	n rpm	P_e W	I A	L_pA dB(A)
Ⓐ 1	---	---	---	---
Ⓐ 2	---	---	---	---
Ⓐ 3	3650	195	15,0	64
Ⓐ 4	3905	165	12,7	63
Ⓑ 1	3950	358	27,4	69
Ⓑ 2	4180	352	27,0	69
Ⓑ 3	4390	343	26,3	68
Ⓑ 4	4810	298	22,8	68



View lead connection (K3G097-BK32-42)

UN black
 PWM/LIN yellow
 GND brown



View lead connection (K3G097-BK36-56)

UN black
 PWM/LIN yellow
 GND brown

