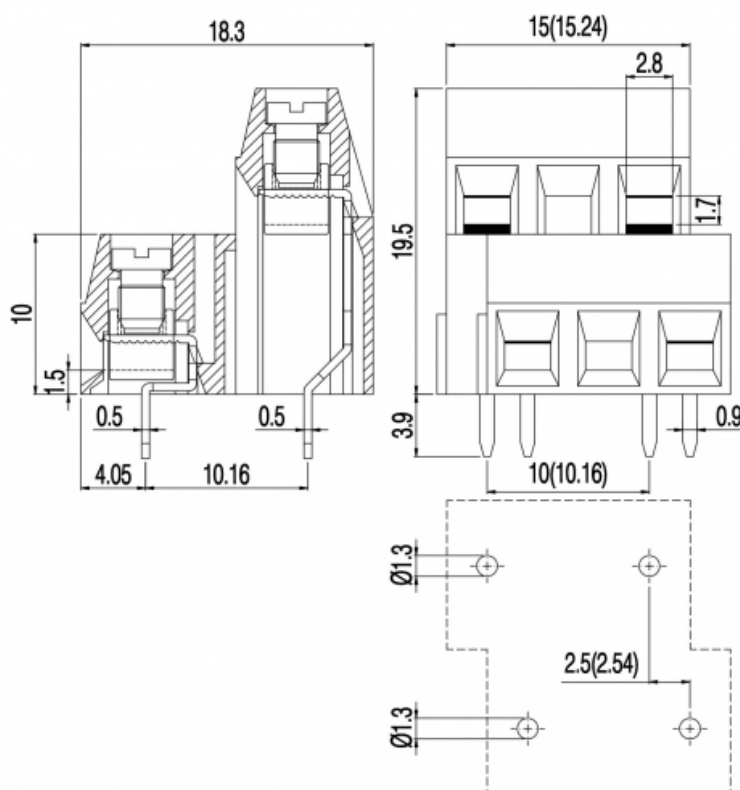
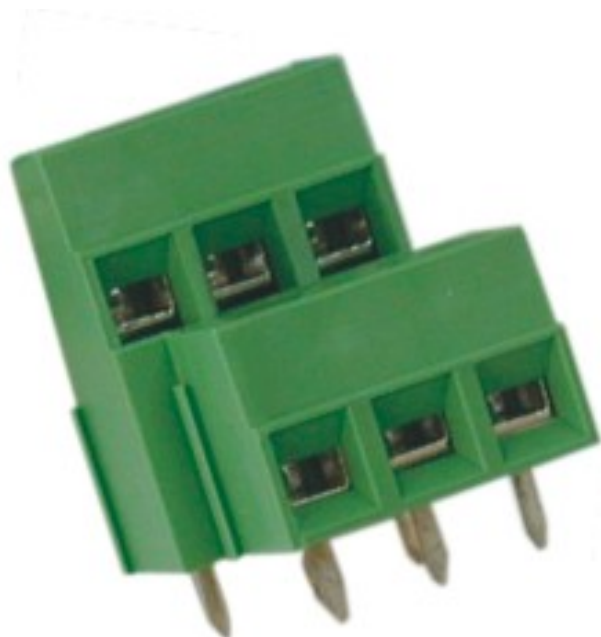


MVD15x-10,16-V



GENERAL INFORMATION

| | |
|------------------------|------------------------------|
| pitch: | 10,16 mm |
| housing height: | 16,50 mm |
| housing depth: | 18.3 mm |
| dimensional class: | slow |
| wire section: | 1.5 mm ² / 16 AWG |
| clamp opening size: | 2.5 × 1.7 mm |
| wire stripping: | max 6 mm |
| operating temperature: | -40°C ÷ +130°C |

ELECTRICAL CHARACTERISTICS

| | |
|---------------|-------------|
| current: | 13.5A |
| voltage: | 750V |
| test voltage: | 3 kVrms/60s |

MECHANICAL CHARACTERISTICS

| | |
|--------------|---------------------|
| screw: | M3 |
| max. torque: | 0.5 Nm / 4.5 in.lbs |

APPROVALS DATA



| | | | |
|---------------|---|---|--------------------------------------|
| current: | - | - | UL 1059 13.5A factory / 10A field |
| voltage: | - | - | 600V |
| wire section: | - | - | 16÷30AWG |
| torque: | - | - | 4.5Lb-in |
| FILE: | - | - | E178356 |

MATERIALS

| | |
|----------|---------------|
| housing: | PA - UL 94 V0 |
|----------|---------------|

AVAILABLE COLOURS

screw:
clamp/spring:
terminal:

Galvanized steel
Nicked copper alloy
Tin-plated copper alloy



other colours:

upon request

| poles | P/N | pcs/pack | W [Kg]* | W [Kg]* |
|-------|-----------------|----------|---------|---------|
| 1 | MVD151-10,16-V | N/A | N/A | N/A |
| 2 | MVD152-10,16-V | N/A | N/A | N/A |
| .. | MVD15..-10,16-V | N/A | N/A | N/A |